

## HRFY-E 系列防水防尘防腐LED线性灯(P型)

### HRFY-E Series Weatherproof Linear Light Fittings with LED (Type P)



GB EN EAC



#### 型号规格含义 Nomenclature



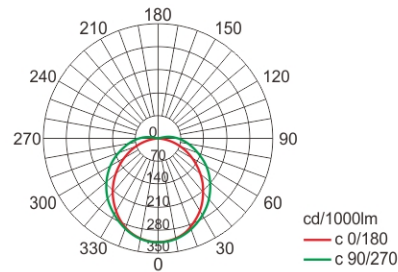
#### 订货须知 Ordering Information

- ◆ 注明执行标准、工作电压、环境温度；
- ◆ 按照产品型号规格说明逐条选择；  
例如：需要GRP外壳材质，线性LED灯30W，则产品选型为HRFY-E01 30P。
- ◆ Specify the executive standard, working voltage, environment temperature.
- ◆ Follow the product nomenclature for selection.
- ◆ For example: if you need GRP material for the enclosure, then you may choose the product HRFY-E01 30P.

## HRFY-E 系列防水防尘防腐LED线性灯(P型)

HRFY-E Series Weatherproof Linear Light Fittings with LED (Type P)

## HRFY-E01□□P 配光曲线 Light Distribution Curve



## HRFY-E01□□P 产品规格 Product Specifications

型号规格 Model specifications	灯具功率 Lamp power	光通量 Luminous flux	光效 luminous efficiency	色温 Color temperature	显色指数 CRI	壳体类型 Enclosure type
HRFY-E01 16P	16W	≥2240lm	150±10lm/W	5000K	Ra≥80	I
HRFY-E01 30P	30W	≥4200lm				II
HRFY-E01 42P	42W	≥5880lm				III
HRFY-E01 50P	50W	≥7000lm				
HRFY-E01 65P	65W	≥9100lm				

## HRFY-E01□□JP 带应急功能参数 Parameters for emergency feature

型号规格 Model Specifications	正常功率 Normal power	应急功率 Emergency power	应急时间 Emergency time	壳体类型 Enclosure type
HRFY-E01 16JP	16W	2.5W	180 min	I
HRFY-E01 30JP	30W			II
HRFY-E01 42JP	42W			III
HRFY-E01 50JP	50W			
HRFY-E01 65JP	65W			

## HRFY-E01□□P 产品描述 Product Description

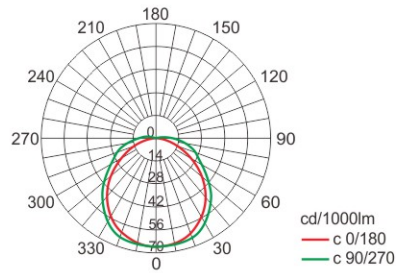
执行标准 Conformity to standards	中国GB标准 Chinese GB standards	欧盟EN标准 European EN standards
额定电压 Rated voltage	220V~240V AC 50/60Hz	100V~277V AC 50/60Hz
外壳材质 Enclosure material	GRP	
透明罩材质 Transparent cover material	PC	
环境温度 Ambient temperature	-40℃ ~ +55℃	
防护等级 Degree of protection	IP66	
引入装置 Cable gland	M16引入规格, 适合Φ5mm~Φ10mm电缆 M16 entry specification, suitable for cable of Φ5mm~Φ10mm	
接线端子 Terminal	≤2.5mm <sup>2</sup> 导线可靠连接 ≤2.5mm <sup>2</sup> reliable wire connection	



## HRFY-E 系列防水防尘防腐LED线性灯(P型)

### HRFY-E Series Weatherproof Linear Light Fittings with LED (Type P)

#### HRFY-E02□□P 配光曲线 Light Distribution Curve



#### HRFY-E02□□P 产品规格 Product Specifications

型号规格 Model specifications	灯具功率 Lamp power	光通量 Luminous flux	光效 luminous efficiency	色温 Color temperature	显色指数 CRI	壳体类型 Enclosure type
HRFY-E02 18P	18W	≥2520lm	150±10lm/W	5000K	Ra≥80	I
HRFY-E02 30P	30W	≥4200lm				II
HRFY-E02 40P	40W	≥5200lm				III
HRFY-E02 60P	60W	≥8400lm				

#### HRFY-E02□JP 带应急功能参数 Parameters for emergency feature

型号规格 Model Specifications	正常功率 Normal power	应急功率 Emergency power	应急时间 Emergency time	壳体类型 Enclosure type
HRFY-E02 18JP	18W	2.5W	180 min	I
HRFY-E02 30JP	30W			II
HRFY-E02 40JP	40W			III
HRFY-E02 60JP	60W			



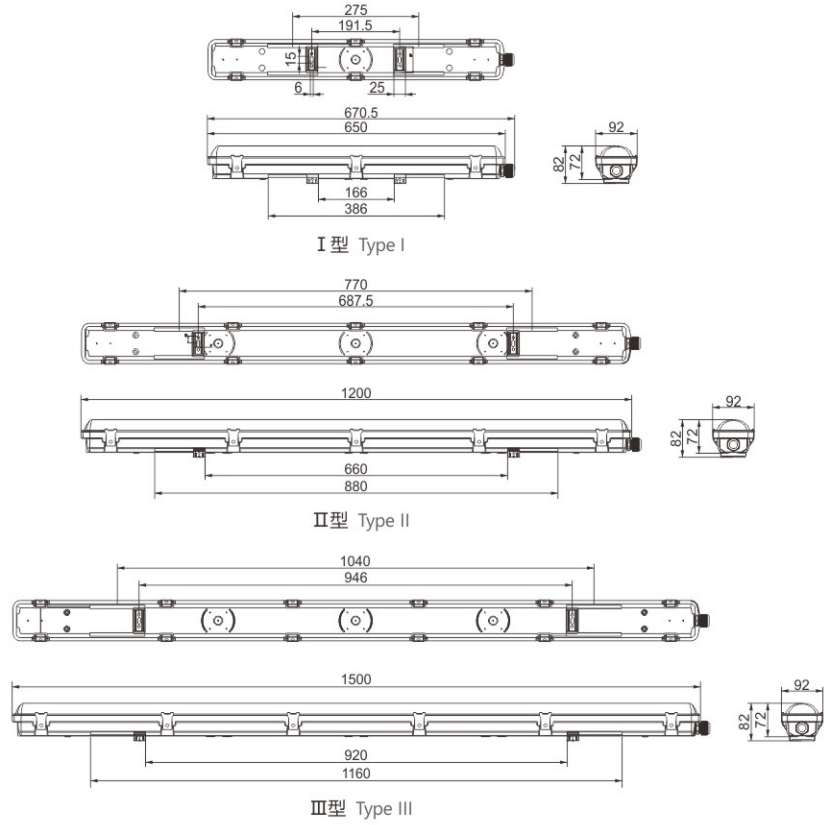
#### HRFY-E02□□P 产品描述 Product Description

执行标准 Conformity to standards	中国GB标准 Chinese GB standards	欧盟EN标准 European EN standards
额定电压 Rated voltage	220V~240V AC 50/60Hz	100V~277V AC 50/60Hz
外壳材质 Enclosure material	PC	
透明罩材质 Transparent cover material	PC	
环境温度 Ambient temperature	-40°C ~ +55°C	
防护等级 Degree of protection	IP66	
引入装置 Cable gland	PG13.5引入口规格 PG13.5 entry specification	
接线端子 Terminal	≤2.5mm <sup>2</sup> 导线可靠连接 ≤2.5mm <sup>2</sup> reliable wire connection	

## HRFY-E 系列防水防尘防腐LED线性灯(P型) HRFY-E Series Weatherproof Linear Light Fittings with LED (Type P)

### 外形及安装尺寸举例 Example of Outline Dimension and Mounting Type

#### HRFY-E01□□P



#### HRFY-E02□□P

