

HRFY-E 系列防水防尘防腐LED线性灯(A型)

HRFY-E Series Weatherproof Linear Light Fittings with LED (Type A)



Waterproof



Dustproof



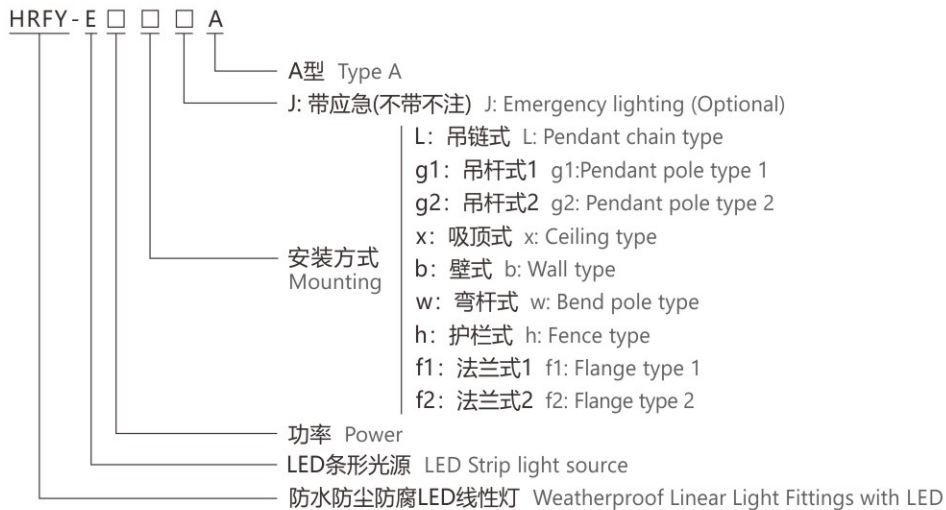
Corrosionproof

GB

EN

EAC

型号规格含义 Nomenclature



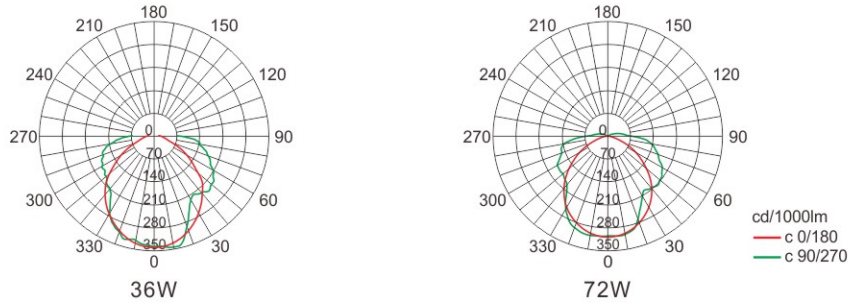
订货须知 Ordering Information

- ◆ 注明执行标准、工作电压、环境温度;
- ◆ 按照产品型号规格说明逐条选择, 例如: 需要PC外壳, 线性LED灯36W, 法兰式1安装, 则产品选型为HRFY-E36 f1 A;
- ◆ 如需加装应急装置时请注明;
- ◆ 常规配置为电缆布线, 如需钢管布线请注明;
- ◆ 可根据用户要求配置调光型灯具。
- ◆ Specify the executive standard, working voltage, environment temperature.
- ◆ Follow the product nomenclature for selection.
For example: For an aluminum alloy enclosure, 36W linear LED lights, and flange type installation, the product model is HRFY-E36 f1 A.
- ◆ If the emergency device is required, please specify when ordering.
- ◆ Generally, cable wiring is provided, please specify if steel pipe wiring is needed.
- ◆ The dimming lamps can be provided according to user's requirements.

HRFY-E 系列防水防尘防腐LED线性灯(A型)

HRFY-E Series Weatherproof Linear Light Fittings with LED (Type A)

配光曲线 Light Distribution Curve



产品规格 Product Specifications

型号规格 Model specifications	灯具功率 Lamp power	光通量 Luminous flux	光效 luminous efficiency	色温 Color temperature	显色指数 CRI	壳体类型 Enclosure type	重量 Weight
HRFY-E18□□A	18W	≥2400lm	130±10lm/W	5000K	Ra≥80	I	2.5kg
HRFY-E36□□A	36W	≥4600lm					2.7kg
HRFY-E56□□A	56W	≥7300lm				II	4.0kg
HRFY-E72□□A	72W	≥9500lm					4.4kg

带应急功能参数 Parameters for emergency feature

型号规格 Model Specifications	正常功率 Normal power	应急功率 Emergency power	应急时间 Emergency time	壳体类型 Enclosure type	重量 Weight
HRFY-E18□JA	18W	6W	90 min (120min可选) (120min Optional)	I	3.2kg
HRFY-E36□JA	36W	12W			3.3kg
HRFY-E56□JA	56W	10W		II	4.6kg
HRFY-E72□JA	72W	12W			5.0kg

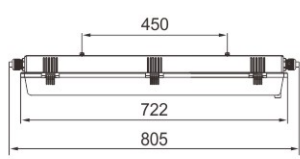
产品描述 Product Description

执行标准 Conformity to standards	中国GB标准 Chinese GB standards	欧盟EN标准 European EN standards
额定电压 Rated voltage	220V~240V AC 50/60Hz	220V~240V AC 50/60Hz 100V~277V AC 50/60Hz(可选 Optional)
外壳材质 Enclosure material	PC材质 PC material	
透明罩材质 Transparent cover material	PC透明罩 PC transparent cover	
环境温度 Ambient temperature	-40°C ~ +55°C	-40°C ~ +55°C(-60°C ~ +60°C 可选 Optional)
防护等级 Degree of protection	IP66	
防腐等级 Corrosion-proof level	WF1、WF2(可选 Optional)	C3、C4(可选 Optional)
引入装置 Cable gland	2×M25×1.5引入规格, 适合Φ10mm~Φ16mm电缆 2×M25×1.5 entry specification, suitable for cable of Φ10mm~Φ16mm	
接线端子 Terminal	≤2.5mm ² 导线可靠连接(≤4mm ² 可选) ≤2.5mm ² reliable wire connection (≤4mm ² is optional)	

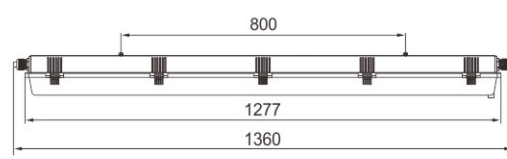
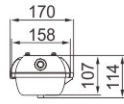


HRFY-E 系列防水防尘防腐LED线性灯(A型) HRFY-E Series Weatherproof Linear Light Fittings with LED (Type A)

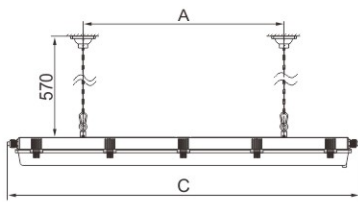
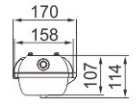
外形及安装尺寸举例 Example of Outline Dimension and Mounting Type



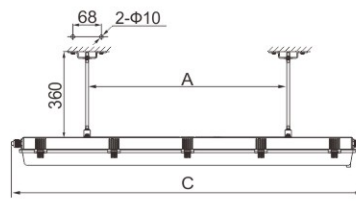
I 型 Type I



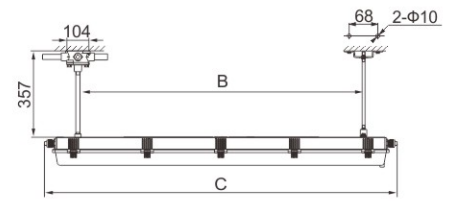
II 型 Type II



吊链式(L)
Pendant chain type (L)

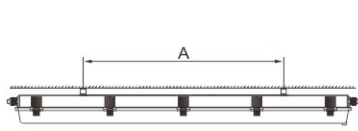


吊杆式1(g1)
Pendant pole type 1 (g1)

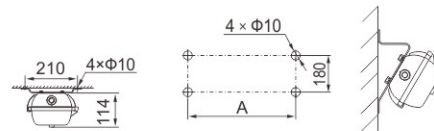


吊杆式2(g2)
Pendant pole type 2 (g2)

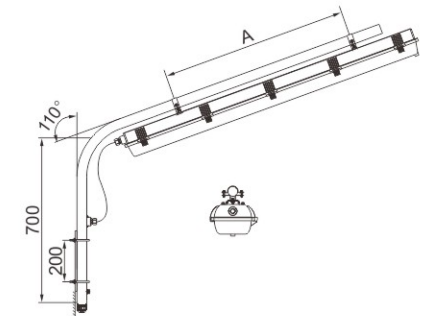
壳体类型 Enclosure type	A	B	C
I 型 Type I	450	630	805
II 型 Type II	800	1190	1360



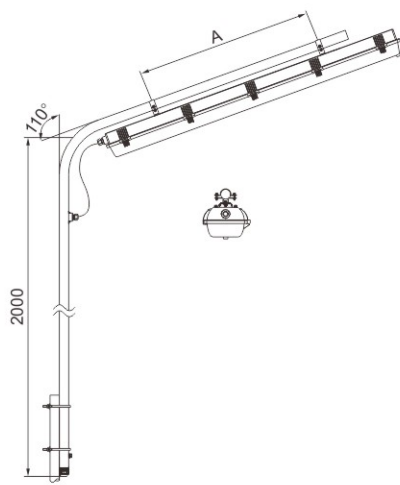
吸顶式(x)
Ceiling type(x)



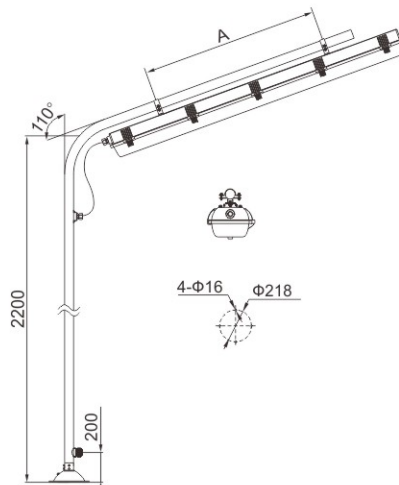
壁式(b)
Wall type(b)



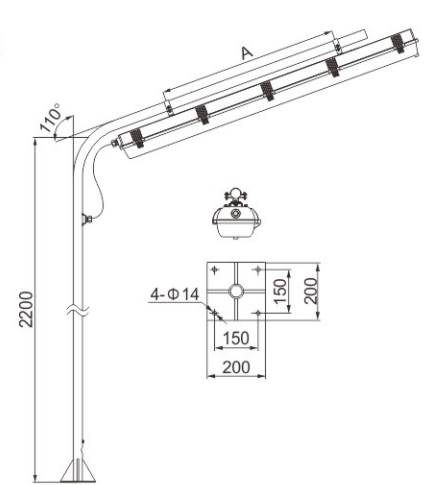
弯杆式(w)
Bend pole type(w)



护栏式(h)
Fence type(h)



法兰式1(f1)
Flange type 1(f1)



法兰式2(f2)
Flange type 2(f2)

