

HRFY-E 系列防水防尘防腐LED线性灯(B型)

HRFY-E Series Weatherproof Linear Light Fittings with LED (Type B)



型号规格含义 Nomenclature



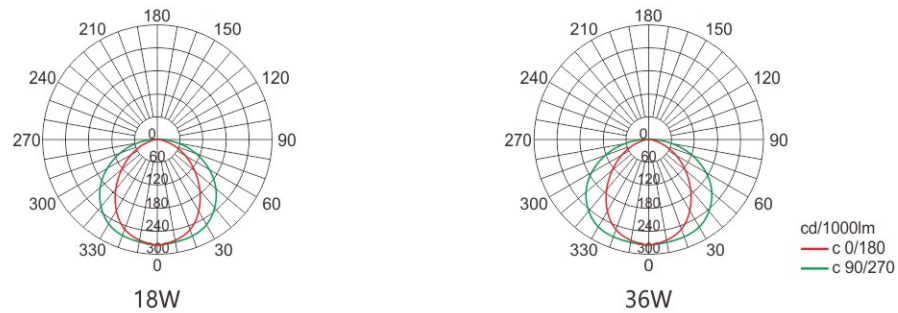
订货须知 Ordering Information

- ◆ 注明执行标准、工作电压、环境温度;
- ◆ 按照产品型号规格说明逐条选择,
 - 例如: 需要双色一体式挤塑成型线性LED灯36W, 法兰式安装, 则产品选型为HRFY-E36 f B;
- ◆ 可配置快速接头。
- ◆ Specify the executive standard, working voltage, environment temperature;
- ◆ Follow the product nomenclature for selection,
 - For example: Bicolor Integrated Extrusion-Molded Linear LED Light 36W, flange type, the product type shall be HRFY-E36 f B.
- ◆ Can equip with quick coupling.

HRFY-E 系列防水防尘防腐LED线性灯(B型)

HRFY-E Series Weatherproof Linear Light Fittings with LED (Type B)

配光曲线 Light Distribution Curve



产品规格 Product Specifications

型号规格 Model specifications	灯具功率 Lamp power	光通量 Luminous flux	光效 luminous efficiency	色温 Color temperature	显色指数 CRI	壳体类型 Enclosure type	重量 Weight
HRFY-E9□□B	9W	≥1030lm	120±10lm/W	5000K	Ra≥80	I	0.8kg
HRFY-E18□□B	18W	≥1920lm					
HRFY-E25□□B	25W	≥2800lm					
HRFY-E36□□B	36W	≥4080lm					
HRFY-E50□□B	50W	≥5500lm				II	1.2kg

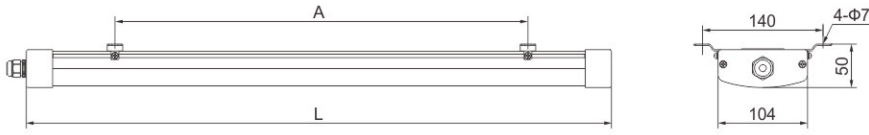


产品描述 Product Description

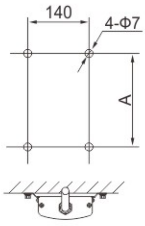
执行标准 Conformity to standards	中国GB标准 Chinese GB standards
额定电压 Rated voltage	220V AC 50/60Hz
外壳材质 Enclosure material	PC材质 PC material
透明罩材质 Transparent cover material	PC透明罩 PC transparent cover
环境温度 Ambient temperature	-25°C ~ +45°C
防护等级 Degree of protection	IP66
防腐等级 Corrosion-proof level	WF2
接线端子 Terminal	≤2.5mm ² 导线可靠连接(≤4mm ² 可选) ≤2.5mm ² reliable wire connection (≤4mm ² is optional)
引入装置 Cable gland	M20×1.5引入规格, 适合Φ6mm~Φ10mm电缆 M20×1.5 entry specification, suitable for cable of Φ6mm~Φ10mm

HRFY-E 系列防水防尘防腐LED线性灯(B型) HRFY-E Series Weatherproof Linear Light Fittings with LED (Type B)

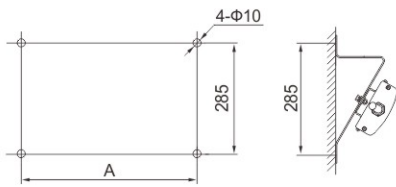
外形及安装尺寸举例 Example of Outline Dimension and Mounting Type



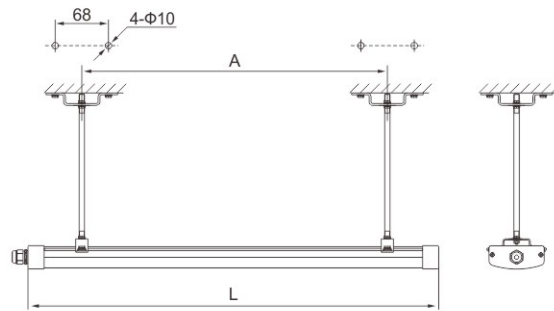
壳体类型 Enclosure type	L	A
I型 Type I	680	500
II型 Type II	1300	800



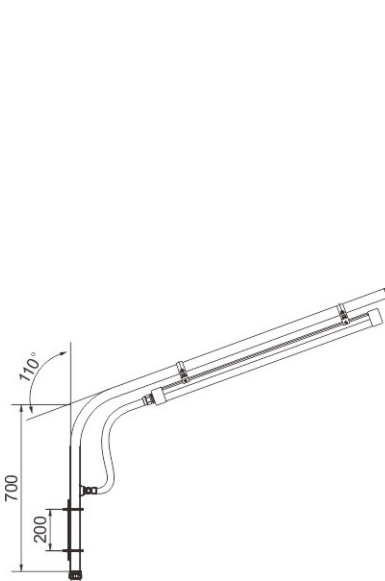
吸顶式(x)
Ceiling type(x)



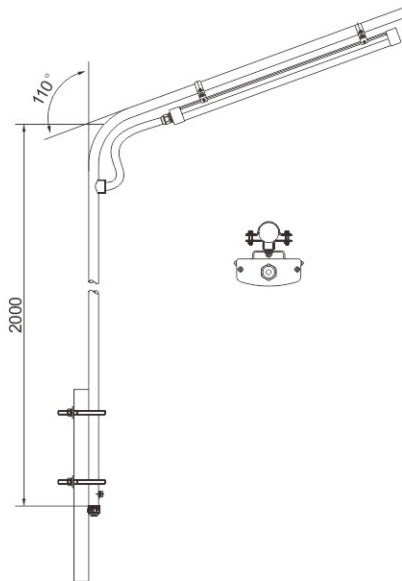
壁式(b)
Wall type(b)



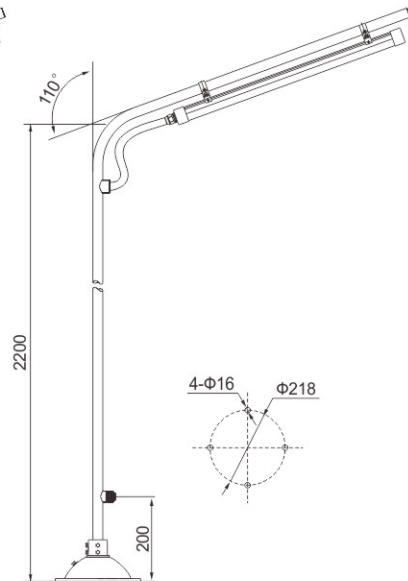
吊杆式(g)
Pendant pole type(g)



弯杆式(w)
Bend pole type(w)



护栏式(h)
Fence type(h)



法兰式1(f1)
Flange type 1(f1)

