

HRFY-G 系列防水防尘防腐不锈钢荧光灯

HRFY-G Series Weatherproof Stainless Steel Light Fittings for Fluorescent Lamps



GB EN EAC



型号规格含义 Nomenclature



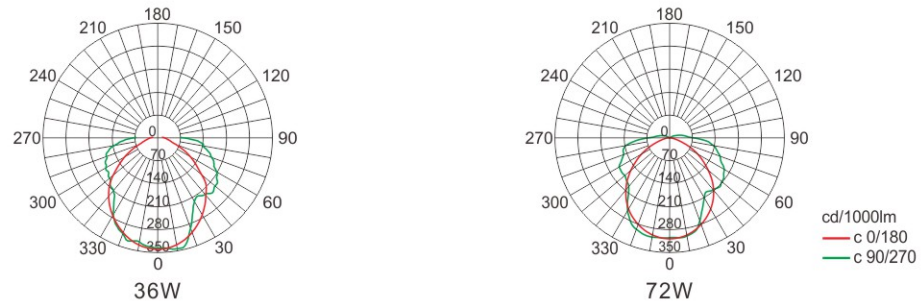
订货须知 Ordering Information

- ◆ 注明执行标准、工作电压、环境温度；
- ◆ 按照产品型号规格说明逐条选择，
例如：需要不锈钢外壳，双管36W荧光灯，吸顶式安装，
则产品选型为HRFY-G-2×36 x；
- ◆ 供货LED灯具时，出厂配置LED光源；其他灯具出厂时不
配光源，由用户自配，建议配置飞利浦、欧司朗品牌；
- ◆ 如需加装应急装置时请注明(应急时只有单只灯管工作)；
- ◆ 常规配置为电缆布线，如需钢管布线请注明。
- ◆ Specify the executive standard, working voltage, environment temperature.
- ◆ Follow the product nomenclature for selection. For example: For a stainless steel enclosure, twin 36W fluorescent lamps, and ceiling type installation, the product model is HRFY-G-2×36 x.
- ◆ LED light fittings are supplied with LED lamp. Other light fittings are supplied without light source. Philips and Osram Brands are recommended.
- ◆ If the emergency device is required, please specify when ordering. (Only one lamp tube works for emergency).
- ◆ Generally, cable wiring is provided, please specify if steel pipe wiring is needed.

HRFY-G 系列防水防尘防腐不锈钢荧光灯

HRFY-G Series Weatherproof Stainless Steel Light Fittings for Fluorescent Lamps

配光曲线 Light Distribution Curve



产品规格 Product Specifications

型号规格 Model Specifications	灯管功率 Lamp tube power	光通量(灯管) Luminous flux (Lamp tube)	壳体类型 Enclosure type	重量 Weight
HRFY-G-2×18□	2×18W/T8	2600lm	I	3.0kg
HRFY-G-2×36□	2×36W/T8	6500lm	II	4.6kg

型号规格 Model Specifications	灯管功率 Lamp tube power	光通量(灯管) Luminous flux (Lamp tube)	光通量(灯具) Luminous flux (Luminaire)	色温 Color temperature	壳体类型 Enclosure type	重量 Weight
HRFY-G-LED 2×10□	2×10W/LED	2300lm	≥2000lm	5000K	I	3.2kg
HRFY-G-LED 2×20□	2×20W/LED	4600lm	≥4000lm		II	4.8kg

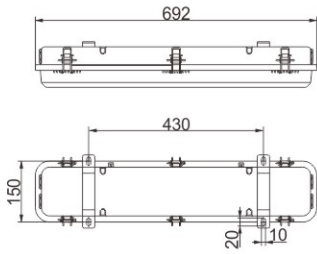
产品描述 Product Description

执行标准 Conformity to standards	中国GB标准 / 欧盟EN标准 Chinese GB standards / European EN standards
额定电压 Rated voltage	220V~240V AC 50/60Hz 100V~277V AC 50/60Hz (可选 Optional)
外壳材质 Enclosure material	不锈钢 Stainless steel
透明罩材质 Transparent cover material	PC透明罩 PC transparent cover
环境温度 Ambient temperature	-40°C~+55°C (-60°C~+60°C 可选 Optional)
防护等级 Degree of protection	IP66
防腐等级 Corrosion-proof level	WF2(C4)
引入装置 Cable gland	M20×1.5引入规格, 适合Φ6mm~Φ10mm电缆 M20×1.5 entry specification, suitable for cable of Φ6mm~Φ10mm
接线端子 Terminal	≤2.5mm ² 导线可靠连接(≤4mm ² 可选) ≤2.5mm ² reliable wire connection (≤4mm ² is optional)

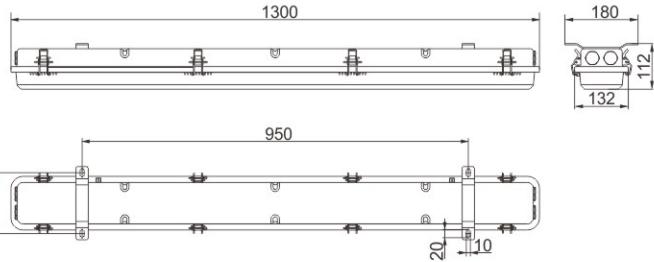
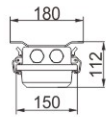


HRFY-G 系列防水防尘防腐不锈钢荧光灯 HRFY-G Series Weatherproof Stainless Steel Light Fittings for Fluorescent Lamps

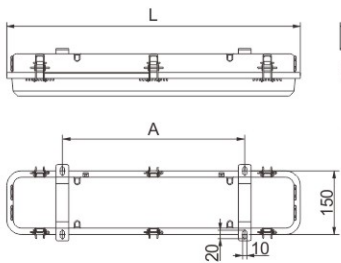
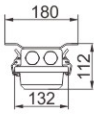
外形及安装尺寸举例 Example of Outline Dimension and Mounting Type



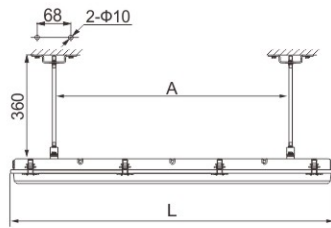
I 型 Type I



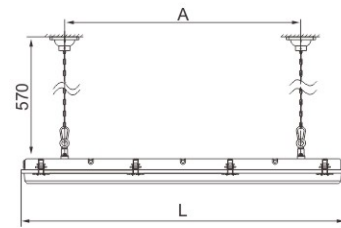
II 型 Type II



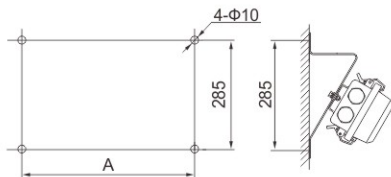
吸顶式(x)
Ceiling type(x)



吊杆式(g)(侧进线)
Pendant pole type (g)(side entry)

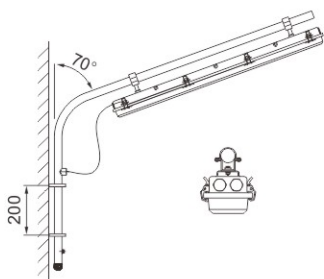


吊链式(L)
Pendant chain type(L)

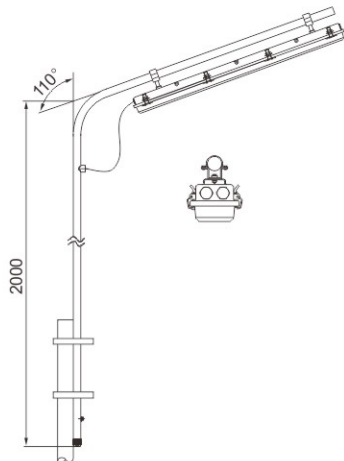


壁式(b)
Wall type(b)

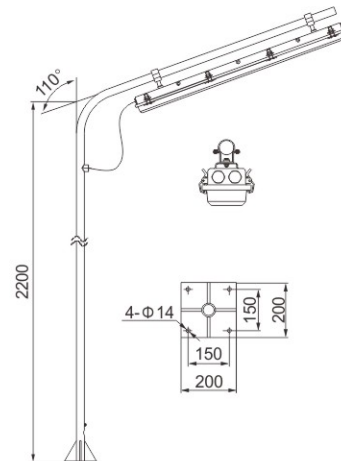
壳体类型 Enclosure type	A	L
I 型 Type I	430	692
II 型 Type II	950	1300



弯杆式(w)
Bend pole type(w)



护栏式(h)
Fence type(h)



法兰式2(f2)
Flange type 2(f2)

