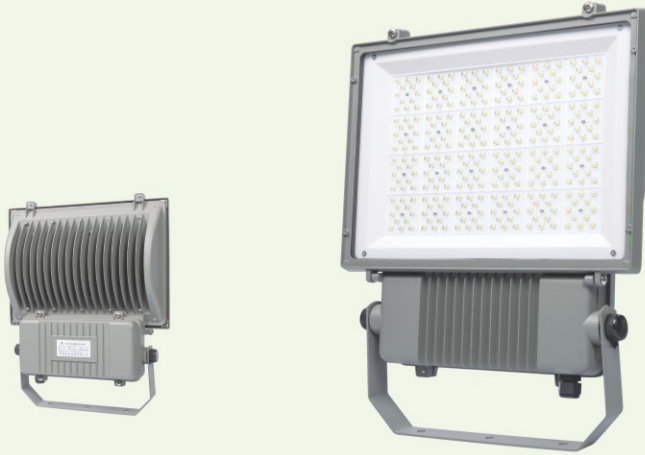


## HRFT-E 系列防水防尘防腐LED泛光灯(A型) HRFT-E Series Weatherproof LED Floodlights (Type A)



GB EN EAC



### 型号规格含义 Nomenclature



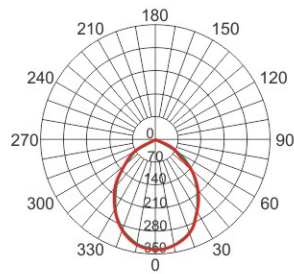
### 订货须知 Ordering Information

- ◆ 注明执行标准、工作电压、环境温度;
- ◆ 按照产品型号规格说明逐条选择,
  - 例如: 需要泛光式照明200W LED灯具, 则产品选型为 HRFT-E200 A,
  - 如需要聚光式照明200W LED灯具, 则产品选型为 HRFT-E200T A;
- ◆ 本灯具出厂时光源已配;
- ◆ 常规产品配光分布为泛光照明, 可根据用户需求实现投光照明, 下单时请注明。
- ◆ Specify the executive standard, working voltage, and environment temperature.
- ◆ Follow the product nomenclature for selection.
  - For example: if 200W floodlight LED lamps are needed, HRFT-E200 A is selected as the product type.
  - if 200W spotlight LED lamps are needed, HRFT-E200T A is selected as the product type.
- ◆ The light fittings are supplied with light source when delivery.
- ◆ The light distribution of standard products is floodlight, but can be customized for spotlight lighting according to user needs. Please specify when ordering.

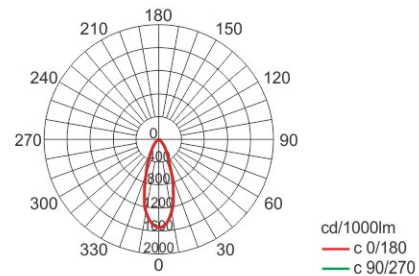
## HRFT-E 系列防水防尘防腐LED泛光灯(A型)

### HRFT-E Series Weatherproof LED Floodlights (Type A)

#### 配光曲线 Light Distribution Curve



标准90°  
Standard: 90°



可选30°  
Optional: 30°

cd/1000lm  
— c 0/180  
— c 90/270

#### 产品规格 Product Specifications

型号规格 Model specifications	灯具功率 Lamp power	光通量 Luminous flux	光效 luminous efficiency	色温 Color temperature	显色指数 CRI	壳体类型 Enclosure type	重量 Weight
HRFT-E50□A	50W	≥7000lm	150±10lm/W	5700K	Ra≥80	I	2.2kg
HRFT-E80□A	80W	≥11200lm				II	3.8kg
HRFT-E100□A	100W	≥14000lm				III	4.8kg
HRFT-E120□A	120W	≥16800lm				IV	6.8kg
HRFT-E150□A	150W	≥21000lm				V	11.0kg
HRFT-E200□A	200W	≥28000lm					
HRFT-E240□A	240W	≥33600lm					
HRFT-E300□A	300W	≥42000lm				VI	15.5kg
HRFT-E360□A	360W	≥50400lm					
HRFT-E400□A	400W	≥56000lm					
HRFT-E500□A	500W	≥70000lm					

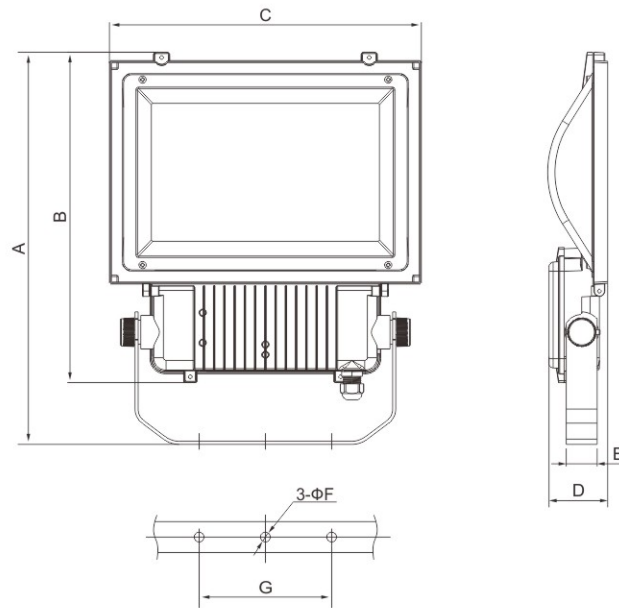
#### 产品描述 Product Description

执行标准 Conformity to standards	中国GB标准 Chinese GB standards	欧盟EN标准 European EN standards
额定电压 Rated voltage	220V~240V AC 50/60Hz	100V~277V AC 50/60Hz
外壳材质 Enclosure material	铝合金 Aluminum alloy	
透明罩材质 Transparent cover material	钢化玻璃 Tempered glass	
环境温度 Ambient temperature	-40°C ~ +55°C (-60°C ~ +60°C 可选 Optional)	
防护等级 Degree of protection	IP66	
防腐等级 Corrosion-proof level	WF1、WF2(可选 Optional)	C3、C4(可选 Optional)
引入装置 Cable gland	I型/II型: M16×1.5引入规格, 适合Φ5mm~Φ8mm电缆 III型/IV型/V型/VI型: M20×1.5引入规格, 适合Φ6mm~Φ12mm电缆 Type I/II: M16×1.5 entry specification, suitable for cable of Φ5mm~Φ8mm Type III/IV/V/VI: M20×1.5 entry specification, suitable for cable of Φ6mm~Φ12mm	



## HRFT-E 系列防水防尘防腐LED泛光灯(A型) HRFT-E Series Weatherproof LED Floodlights (Type A)

### 外形尺寸 Outline dimension



壳体类型 Enclosure type	A	B	C	D	E	F	G
I型 Type I	291	254	230	58	25	11	100
II型 Type II	381	335	312	62	30	11	130
III型 Type III	444	374	353	66	35	11	150
IV型 Type IV	515	435	420	87	37	11	200
V型 Type V	560	486	458	97	38	10.5	200
VI型 Type VI	630	560	510	108	42	11	200

