

## HRFT-E 系列防水防尘防腐LED泛光灯(C型) HRFT-E Series Weatherproof LED Floodlights (Type C)



300W



1000W



Waterproof



Dustproof



Corrosionproof

GB

EN

EAC

### 型号规格含义 Nomenclature

HRFT - E □ C

C型 Type C

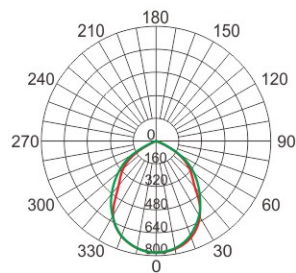
光源功率 Lamp power

LED光源 LED lamp

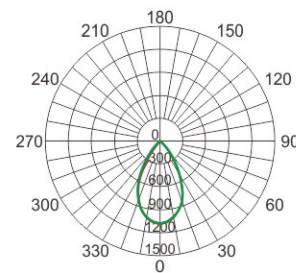
防水防尘防腐泛光灯 Weatherproof floodlights



### 配光曲线 Light Distribution Curve



HRFT-E100 C



HRFT-E2000 C

cd/1000lm  
— c 0/180  
— c 90/270

## HRFT-E 系列防水防尘防腐LED泛光灯(C型)

### HRFT-E Series Weatherproof LED Floodlights (Type C)

#### 产品规格 Product Specifications

型号规格 Model specifications	额定功率 Rated power	光通量 Luminous flux	光效 luminous efficiency	色温 Color temperature	显色指数 CRI	壳体类型 Enclosure type	重量 Weight
HRFT-E100C	100W	≥13000lm	140±10lm/W	5700K	Ra≥80	I	4.0kg
HRFT-E200C	200W	≥26000lm				II	6.2kg
HRFT-E300C	300W	≥39000lm				III	8.0kg
HRFT-E500C	500W	≥65000lm				IV	13.0kg
HRFT-E1000C	1000W	≥130000lm				V	26.0kg
HRFT-E1500C	1500W	≥195000lm				VI	32.0kg
HRFT-E2000C	2000W	≥260000lm				VII	38.0kg

#### 产品描述 Product Description

执行标准 Conformity to standards	中国GB标准 Chinese GB standards	欧盟EN标准 European EN standards
额定电压 Rated voltage	100V~277V AC 50/60Hz	
外壳材质 Enclosure material	铝合金 Aluminum alloy	
透明罩材质 Transparent cover material	钢化玻璃(100W~300W) PC透明罩(500W~2000W)	Tempered glass (100W~300W) PC transparent cover (500W~2000W)
环境温度 Ambient temperature	-40℃ ~ +50℃	
防护等级 Degree of protection	IP66	
防腐等级 Corrosion-proof level	WF1、WF2(可选 Optional)	C3、C4(可选 Optional)
引入装置 Cable gland	M20×1.5引入规格, 适合Φ6mm~Φ12mm电缆 M20×1.5 entry specification, suitable for cable of Φ6mm~Φ12mm	
接线端子 Terminal	≤2.5mm <sup>2</sup> 导线可靠连接 ≤2.5mm <sup>2</sup> reliable wire connection	

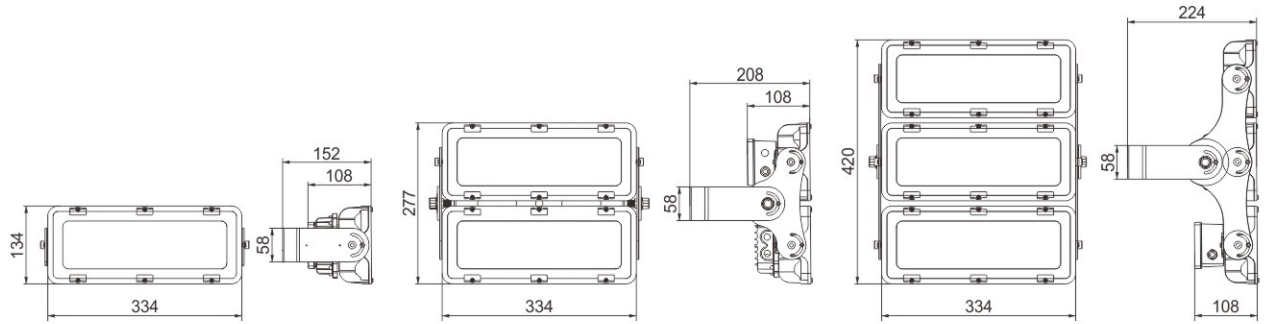


#### 订货须知 Ordering Information

- ◆ 注明执行标准、工作电压、环境温度；
- ◆ 按照产品型号规格说明逐条选择，例如：需要LED泛光式灯300W LED灯具，则产品选型为HRFT-E300 C。
- ◆ Specify the executive standard, working voltage, and environment temperature.
- ◆ Follow the product nomenclature for selection. For example: 300W LED floodlights the product type shall be HRFT-E300 C.

## HRFT-E 系列防水防尘防腐LED泛光灯(C型) HRFT-E Series Weatherproof LED Floodlights (Type C)

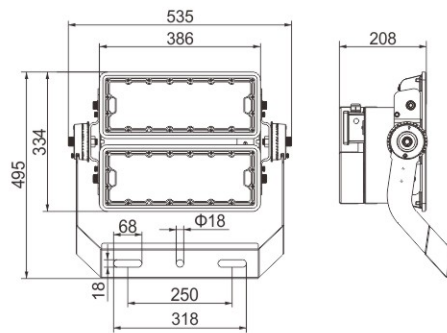
### 外形尺寸 Outline dimension



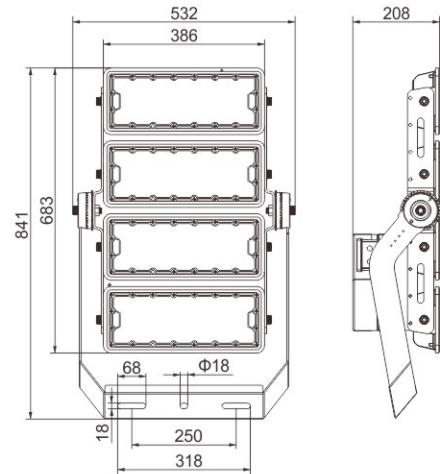
HRFT-E100C

HRFT-E200C

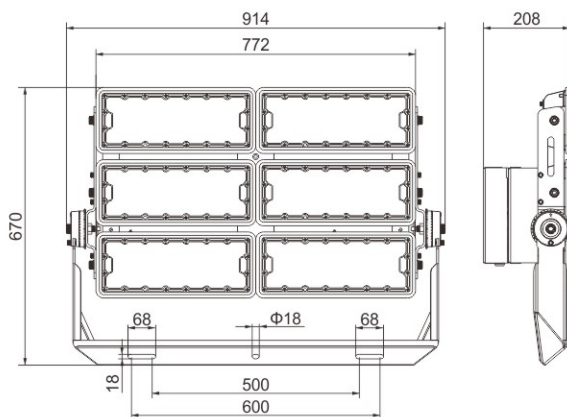
HRFT-E300C



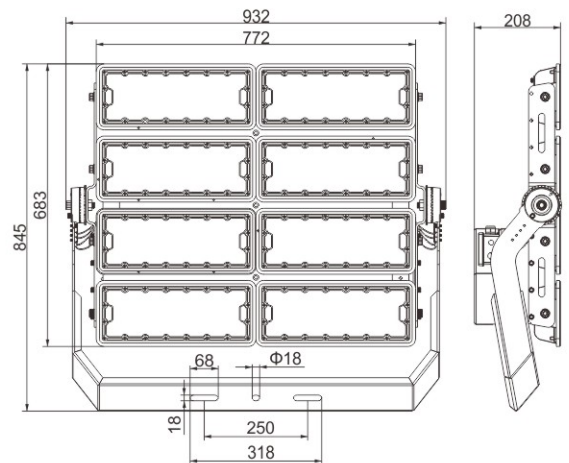
HRFT-E500C



HRFT-E1000C



HRFT-E1500C



HRFT-E2000C

