

## HRFT-E 系列防水防尘防腐LED泛光灯(D型) HRFT-E Series Weatherproof LED Floodlights (Type D)



GB EN EAC



Waterproof



Dustproof

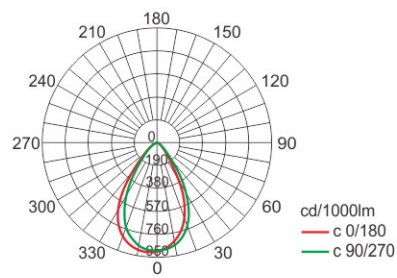


Corrosionproof

### 型号规格含义 Nomenclature



### 配光曲线 Light Distribution Curve



HRFT-E2000 D

### 订货须知 Ordering Information

- ◆ 注明执行标准、工作电压、环境温度；
- ◆ 按照产品型号规格说明逐条选择，例如：需要LED泛光灯500W LED灯具，则产品选型为HRFT-E500 D。
- ◆ Specify the executive standard, working voltage, and environment temperature.
- ◆ Follow the product nomenclature for selection. For example: 500W LED floodlights the product type shall be HRFT-E500 D.

## HRFT-E 系列防水防尘防腐LED泛光灯(D型)

### HRFT-E Series Weatherproof LED Floodlights (Type D)

#### 产品规格 Product Specifications

型号规格 Model specifications	额定功率 Rated power	光通量 Luminous flux	光效 luminous efficiency	色温 Color temperature	显色指数 CRI	壳体类型 Enclosure type	重量 Weight
HRFT-E500D	500W	≥70000lm	150±10lm/W	5700K	Ra≥70	I	13.0kg
HRFT-E600D	600W	≥84000lm					16.5kg
HRFT-E800D	800W	≥112000lm				II	22.1kg
HRFT-E900D	900W	≥126000lm					27.8kg
HRFT-E1000D	1000W	≥140000lm				29.3kg	
HRFT-E1200D	1200W	≥168000lm				III	32.4kg
HRFT-E1500D	1500W	≥210000lm					38.9kg
HRFT-E1800D	1800W	≥252000lm					43.8kg

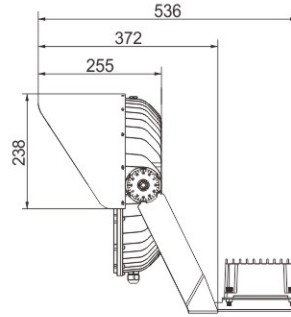
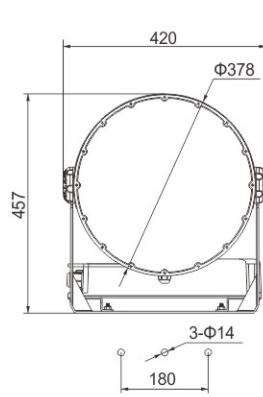
#### 产品描述 Product Description

执行标准 Conformity to standards	中国GB标准 / 欧盟EN标准 Chinese GB standards / European EN standards
额定电压 Rated voltage	180V~305V AC 50/60Hz
外壳材质 Enclosure material	铝合金 Aluminum alloy
透明罩材质 Transparent cover material	PC透明罩 PC transparent cover
环境温度 Ambient temperature	-40°C ~ +50°C
防护等级 Degree of protection	IP66
防腐等级 Corrosion-proof level	WF1(C3)、WF2(C4)(可选 Optional)
引入装置 Cable gland	M20×1.5引入规格, 适合Φ6mm~Φ12mm电缆 M20×1.5 entry specification, suitable for cable of Φ6mm~Φ12mm
接线端子 Terminal	≤2.5mm <sup>2</sup> 导线可靠连接 ≤2.5mm <sup>2</sup> reliable wire connection

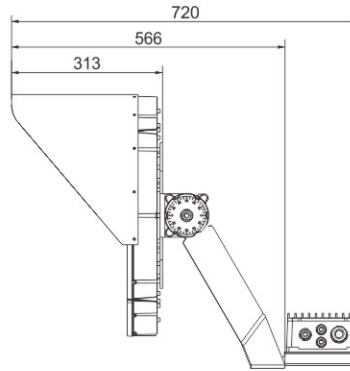
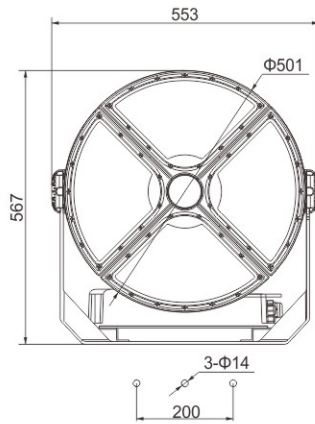


## HRFT-E 系列防水防尘防腐LED泛光灯(D型) HRFT-E Series Weatherproof LED Floodlights (Type D)

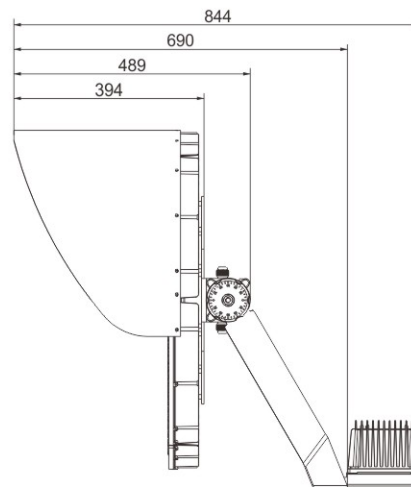
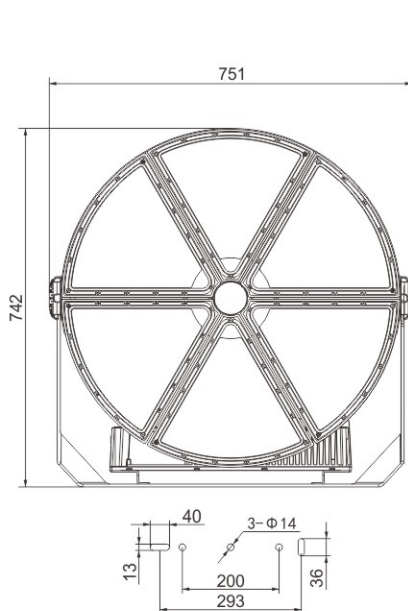
### 外形尺寸 Outline dimension



I 型 Type I



II 型 Type II



III 型 Type III

