

HRFD-E 系列防水防尘防腐LED灯(A型)

HRFD-E Series Weatherproof LED Light Fittings (Type A)



01



02



Waterproof



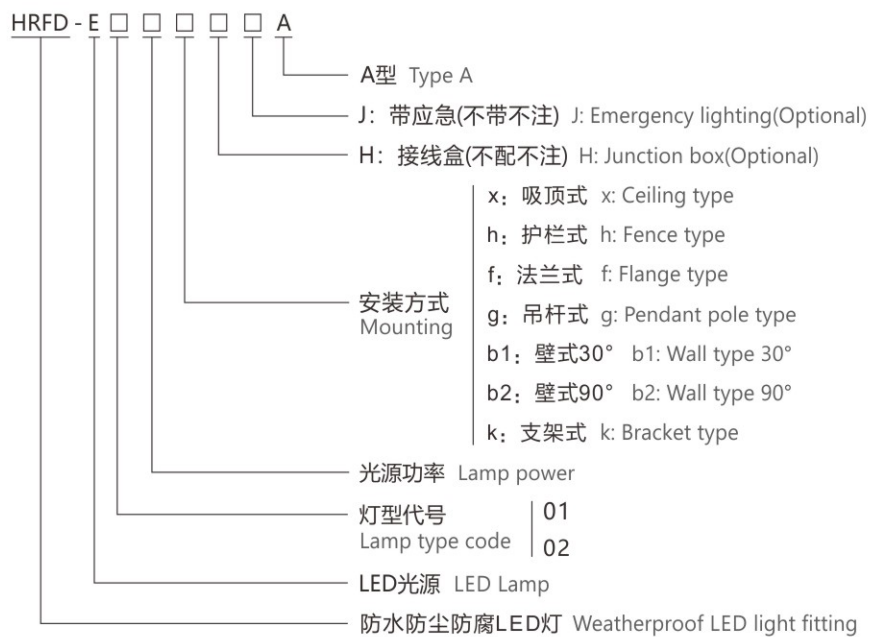
Dustproof



Corrosionproof

GB EN EAC

型号规格含义 Nomenclature



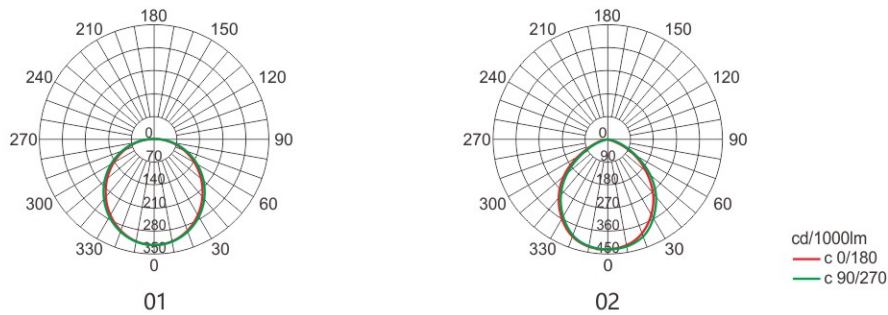
订货须知 Ordering Information

- ◆ 注明执行标准、工作电压、环境温度;
- ◆ 按照产品型号规格说明逐条选择, 例如: 需要LED灯01型70W吊杆式安装, 则产品选型为HRFD-E01 70g A;
- ◆ 如需加装应急装置时请注明。
- ◆ Specify the executive standard, working voltage, and environment temperature.
- ◆ Follow the product nomenclature for selection.
- ◆ For example: installation for 01, 70W LED lamp, pendant pole type, the product type shall be HRFD-E01 70g A.
- ◆ If the emergency device is required, please specify when ordering.

HRFD-E 系列防水防尘防腐LED灯(A型)

HRFD-E Series Weatherproof LED Light Fittings (Type A)

配光曲线 Light Distribution Curve



产品规格 Product Specifications

型号规格 Model specifications	额定功率 Rated power	光通量 Luminous flux	光效 Luminous efficiency	色温 Color temperature	显色指数 CRI	壳体类型 Enclosure type	重量 Weight	
HRFD-E01 20□A	20W	≥2200lm	120±10lm/W	5700K	Ra≥80	I	2.1kg	
HRFD-E01 30□A	30W	≥3300lm						
HRFD-E01 50□A	50W	≥5700lm						
HRFD-E01 70□A	70W	≥9000lm						
HRFD-E01 100□A	100W	≥13000lm						
HRFD-E01 120□A	120W	≥15000lm						
HRFD-E02 20□A	20W	≥2600lm	140±10lm/W					
HRFD-E02 30□A	30W	≥3900lm						
HRFD-E02 50□A	50W	≥6500lm						
HRFD-E02 70□A	70W	≥9100lm						
HRFD-E02 100□A	100W	≥13000lm						
HRFD-E02 120□A	120W	≥15600lm						



带应急功能参数 Parameters for Emergency Feature

型号规格 Model specifications	正常功率 Normal power	应急功率 Emergency power	充电时间 Charging time	应急时间 Emergency time	壳体类型 Enclosure type
HRFD-E02 20□A	20W	5W	24h	90min	II
HRFD-E02 30□A	30W				
HRFD-E02 50□A	50W				
HRFD-E02 70□A	70W				
HRFD-E02 100□A	100W				
HRFD-E02 120□A	120W				

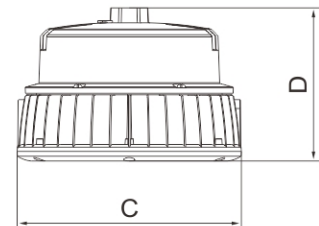
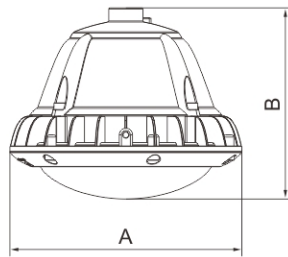
HRFD-E 系列防水防尘防腐LED灯(A型)

HRFD-E Series Weatherproof LED Light Fittings (Type A)

产品描述 Product Description

执行标准 Conformity to standards	中国GB标准 Chinese GB standards	欧盟EN标准 European EN standards
额定电压 Rated voltage	220V~240V AC 50/60Hz	100V~277V AC 50/60Hz
外壳材质 Enclosure material	铝合金 Aluminum alloy	
透明罩材质 Transparent cover material	01型: PC Type 01: PC 02型: 钢化玻璃(PC可选) Type 02: Tempered glass (PC Optional)	
环境温度 Ambient temperature	-40°C ~ +55°C	
防护等级 Degree of protection	IP66	
防腐等级 Corrosion-proof level	WF1、WF2(可选 Optional)	C3、C4(可选 Optional)
引入口 Entry port	G3/4"引入口规格, 适合Φ10mm~Φ14mm电缆 G3/4" entry specification, suitable for cable of Φ10mm~Φ14mm	
接线端子 Terminal	≤2.5mm ² 导线可靠连接 ≤2.5mm ² reliable wire connection	

外形及安装尺寸举例 Example of Outline Dimension and Mounting Type

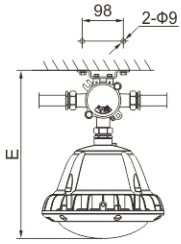


灯型代号 Lamp type code	壳体类型 Enclosure type	A	B
01	I型 Type I	Φ210	175
	II型 Type II	Φ258	190

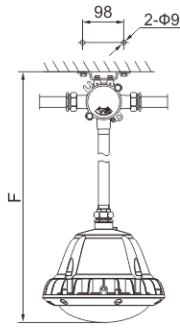
灯型代号 Lamp type code	壳体类型 Enclosure type	C	D
02	I型 Type I	Φ180	132
	II型 Type II	Φ210	144



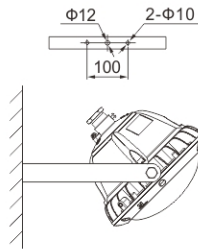
HRFD-E 系列防水防尘防腐LED灯(A型) HRFD-E Series Weatherproof LED Light Fittings (Type A)



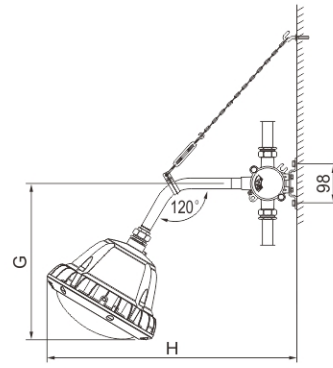
吸顶式 (x)
Ceiling type (x)



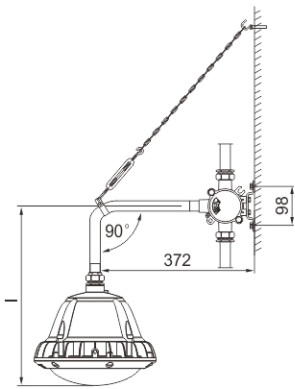
吊杆式(g)
Pendant pole type(g)



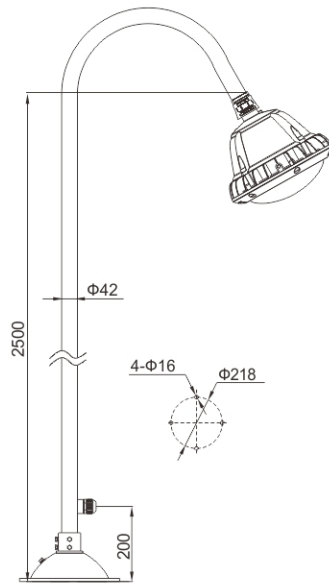
支架式(k)
Bracket type(k)



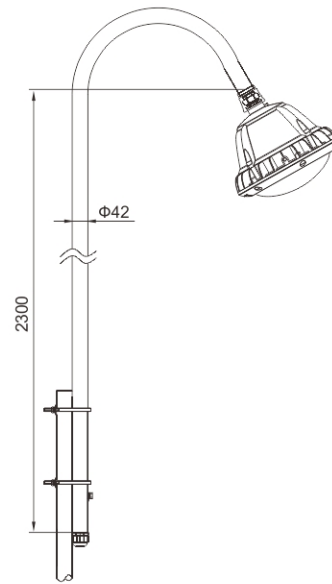
壁式(b1)
Wall type30°(b1)



壁式(b2)
Wall type90°(b2)



法兰式(f)
Flange type(f)



护栏式(h)
Fence type(h)

灯型代号 Lamp type code	壳体类型 Enclosure type	E	F	G	H	I
01	I型 Type I	314	584	210	607	375
	II型 Type II	329	599	225	622	390
02	I型 Type I	271	541	204	591	332
	II型 Type II	283	553	222	611	344

