

HRFD-E 系列防水防尘防腐LED灯(B型)

HRFD-E Series Weatherproof LED Light Fittings (Type B)



Waterproof



Dustproof



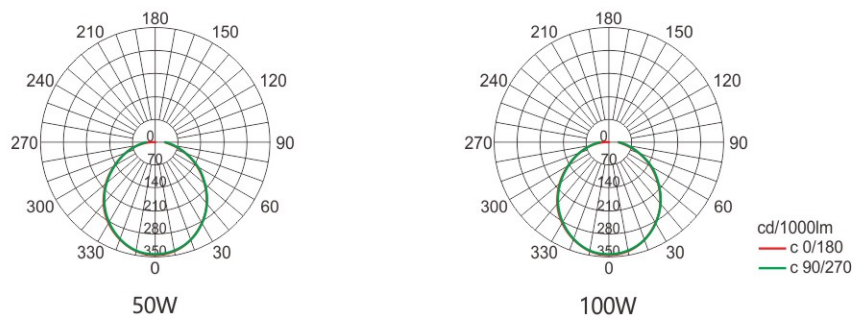
Corrosionproof

GB EN EAC

型号规格含义 Nomenclature



配光曲线 Light Distribution Curve



订货须知 Ordering Information

- ◆ 注明执行标准、工作电压、环境温度;
- ◆ 按照产品型号规格说明逐条选择, 例如: 需要LED灯100W支架式安装, 则产品选型为HRFD-E100kB;
- ◆ 可根据用户要求配置调光型灯具。
- ◆ Specify the executive standard, working voltage, environment temperature;
- ◆ Follow the product nomenclature for selection. For example: 100W LED lamp, bracket type, the product type shall be HRFD-E100k B.
- ◆ The dimming lamps can be equipped according to user's requirements.

HRFD-E 系列防水防尘防腐LED灯(B型)

HRFD-E Series Weatherproof LED Light Fittings (Type B)

产品规格 Product Specifications

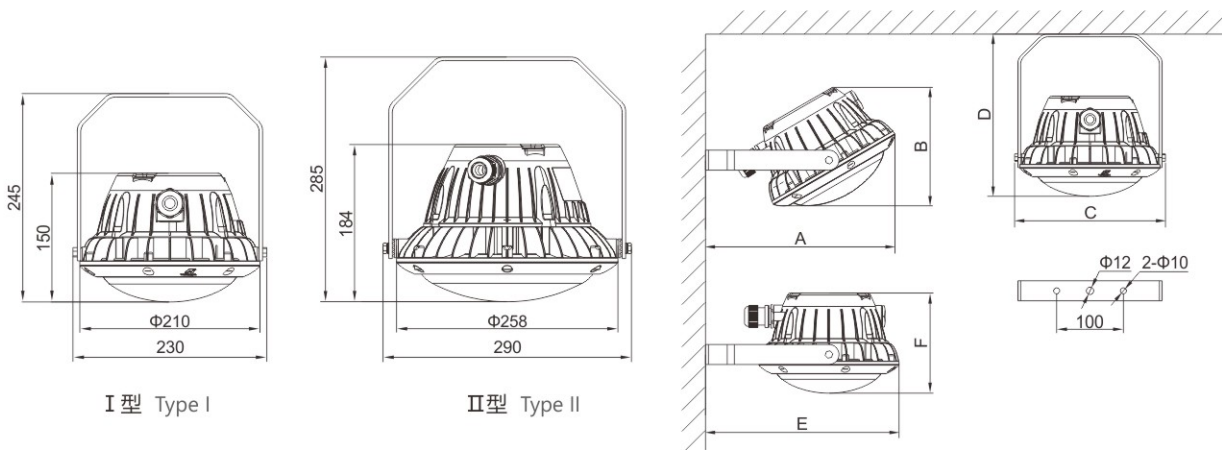
| 型号规格 Model specifications | 额定功率 Rated power | 光通量 Luminous flux | 光效 luminous efficiency | 色温 Color temperature | 显色指数 CRI | 壳体类型 Enclosure type | 重量 Weight |
|------------------------------|---------------------|----------------------|---------------------------|-------------------------|-------------|------------------------|--------------|
| HRFD-E30□B | 30W | ≥3300lm | 120±10lm/W | 5700K | Ra≥80 | I | 1.5kg |
| HRFD-E50□B | 50W | ≥5700lm | | | | | |
| HRFD-E70□B | 70W | ≥9000lm | | | | | |
| HRFD-E100□B | 100W | ≥13000lm | | | | II | 2.3kg |
| HRFD-E120□B | 120W | ≥15000lm | | | | | |

产品描述 Product Description

| | | |
|----------------------------------|---|---------------------------------|
| 执行标准 Conformity to standards | 中国GB标准 Chinese GB standards | 欧盟EN标准 European EN standards |
| 额定电压 Rated voltage | 220V~240V AC 50/60Hz | 100V~277V AC 50/60Hz |
| 外壳材质 Enclosure material | 铝合金 Aluminum alloy | |
| 透明罩材质 Transparent cover material | PC透明罩 PC transparent cover | |
| 环境温度 Ambient temperature | -40°C ~ +55°C (-60°C ~ +60°C 可选 Optional) | |
| 防护等级 Degree of protection | IP66 | |
| 防腐等级 Corrosion-proof level | WF1、WF2(可选 Optional) | C3、C4(可选 Optional) |
| 接线端子 Terminal | ≤2.5mm ² 导线可靠连接 ≤2.5mm ² reliable wire connection | |
| 引入装置 Cable gland | 2×M25×1.5引入规格(1×M25工程塑料格兰+1×M25堵料堵头), 适合电缆Φ10mm~Φ16mm电缆 2×M25×1.5 entry specification(1×M25 engineering plastic cable gland+1×M25 engineering plastic plug), suitable for cable of Φ10mm~Φ16mm | |



外形及安装尺寸举例 Example of Outline Dimension and Mounting Type



| 壳体类型 Enclosure type | A | B | C | D | E | F |
|------------------------|-----|-----|-----|-----|-----|-----|
| I 型 Type I | 285 | 180 | 230 | 245 | 290 | 150 |
| II 型 Type II | 317 | 220 | 290 | 285 | 324 | 184 |