

HRFD-E 系列防水防尘防腐LED灯(C型)

HRFD-E Series Weatherproof LED Light Fittings (Type C)



挂钩式
Hook type



支架式(带灯伞款)
Bracket type
(Model with lampshade)



Waterproof



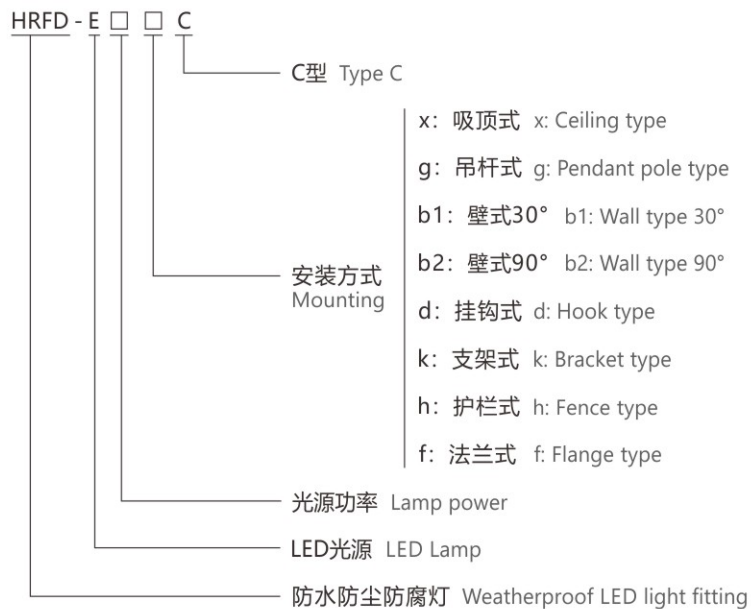
Dustproof



Corrosionproof

GB

型号规格含义 Nomenclature



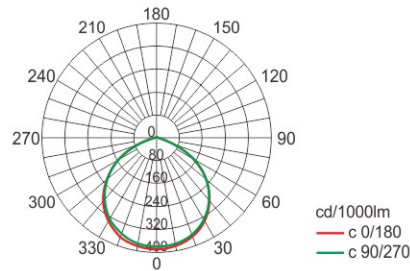
订货须知 Ordering Information

- ◆ 注明执行标准、工作电压、环境温度;
- ◆ 按照产品型号规格说明逐条选择, 例如: 需要LED灯100W吊杆式安装, 则产品选型为HRFD-E100g C;
- ◆ 本灯具出厂不配置外部灯伞, 如需配置下单时请注明。
- ◆ Specify the executive standard, working voltage, environment temperature;
- ◆ Follow the product nomenclature for selection.
For example: installation for 100W LED lamp, pendant pole type, the product type shall be HRFD-E100g C.
- ◆ This lamp does not equip with external lampshade when delivery, please specify if needed.

HRFD-E 系列防水防尘防腐LED灯(C型)

HRFD-E Series Weatherproof LED Light Fittings (Type C)

配光曲线 Light Distribution Curve



产品规格 Product Specifications

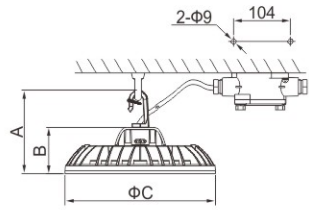
型号规格 Model specifications	额定功率 Rated power	光通量 Luminous flux	光效 luminous efficiency	色温 Color temperature	显色指数 CRI	壳体类型 Enclosure type	重量 Weight
HRFD-E20□C	20W	≥2200lm	120±10lm/W	5700K	Ra≥80	I	1.1kg
HRFD-E30□C	30W	≥3300lm					
HRFD-E50□C	50W	≥5500lm					
HRFD-E70□C	70W	≥7700lm				II	2.1kg
HRFD-E100□C	100W	≥11000lm					
HRFD-E120□C	120W	≥13200lm				III	3.6kg
HRFD-E150□C	150W	≥16500lm					
HRFD-E200□C	200W	≥22000lm					
						IV	4.8kg



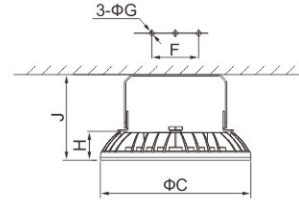
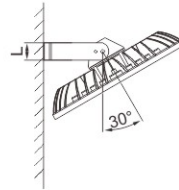
产品描述 Product Description

执行标准 Conformity to standards	中国GB标准 Chinese GB standards
额定电压 Rated voltage	220V~240V AC 50/60Hz
外壳材质 Enclosure material	铝合金 Aluminum alloy
透明罩材质 Transparent cover material	钢化玻璃 Tempered glass
环境温度 Ambient temperature	-40°C ~ +55°C
防护等级 Degree of protection	IP66
防腐等级 Corrosion-proof level	WF1、WF2(可选 Optional)
引入装置 Cable gland	配置3×1.0(0.75)mm ² 电缆，长度为800mm (护栏式、法兰式电缆长度为3600mm) Equipped with 3×1.0(0.75)mm ² cable, with a length is 800mm (The length of flange type and fence type cables is 3600mm)

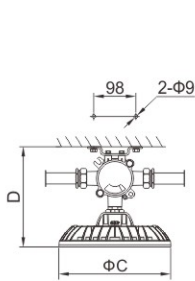
外形及安装尺寸举例 Example of Outline Dimension and Mounting Type



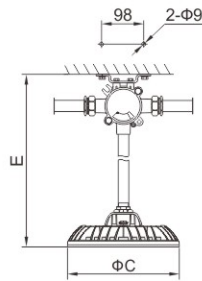
挂钩式(d)
Hook type (d)



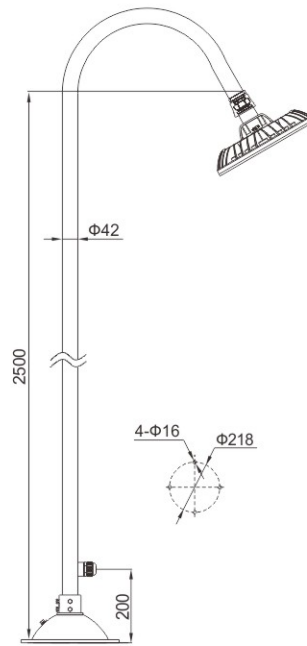
支架式(k)
Bracket type (k)



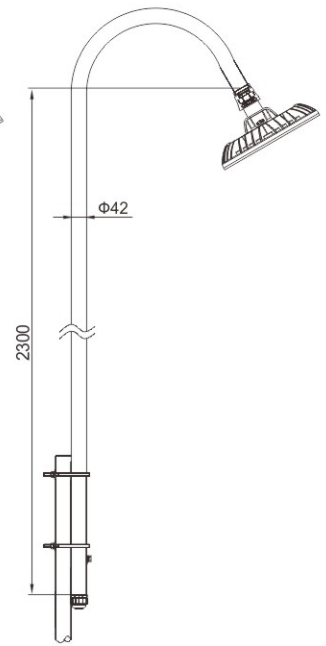
吸顶式(x)
Ceiling type (x)



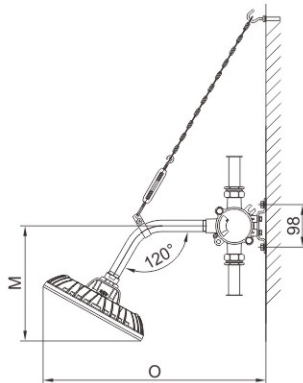
吊杆式(g)
Pendant pole type(g)



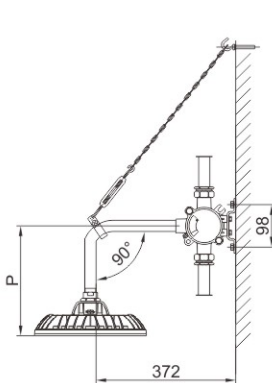
法兰式(f)
Flange type(f)



护栏式(h)
Fence type(h)



壁式(b1)
Wall type 30°(b1)



壁式(b2)
Wall type 90°(b2)



壳体类型 Enclosure type	A	B	C	D	E	F	G	J	H	L	M	O	P
I型 Type I	133	71	200	200	470	80	8	128	40	20	261	510	261
II型 Type II	142	80	260	209	481	120	12	163	50	24	286	540	270
III型 Type III	151	88	320	217	487	120	12	189	56	24	306	565	278
IV型 Type IV	153	90	380	219	489	120	12	226	58	24	326	595	280