

HRFD-E 系列防水防尘防腐LED灯(D型) HRFD-E Series Weatherproof LED Light Fittings (Type D)



吊式
Hook type



支架式
Bracket type

GB EN EAC



Waterproof



Dustproof



Corrosionproof

型号规格含义 Nomenclature



注：支架式带接线腔，吊式无接线腔。

Note: Bracket type has wiring chamber, hook type has no wiring chamber.

订货须知 Ordering Information

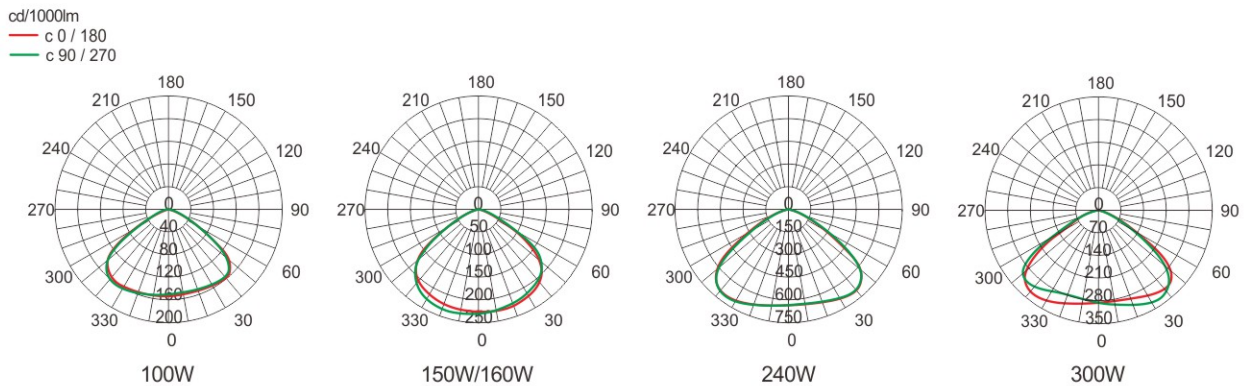
- ◆ 注明执行标准、工作电压、环境温度；
- ◆ 按照产品型号规格说明逐条选择，
- ◆ 例如：需要LED灯200W支架式安装，则产品选型为HRFD-E200kD；
- ◆ 本灯具出厂时光源已配；
- ◆ 可根据用户要求配置调光型灯具。
- ◆ Specify the executive standard, working voltage, environment temperature.
- ◆ Follow the product nomenclature for selection.
For example: 200W LED lamp, bracket type, the product type shall be HRFD-E200k D.
- ◆ The light fittings are supplied with light source when delivery.
- ◆ The dimming lamps can be equipped according to user's requirements.



HRFD-E 系列防水防尘防腐LED灯(D型)

HRFD-E Series Weatherproof LED Light Fittings (Type D)

配光曲线 Light Distribution Curve



产品规格 Product Specifications

型号规格 Model Specifications	额定功率 Rated power	光通量 Luminous flux	光效 luminous efficiency	色温 Color temperature	显色 指数 CRI	壳体类型 Enclosure type	重量 Weight	
							吊式 Hook type	支架式 Bracket type
HRFD-E100D	100W	≥15000lm	140±10lm/W	5700K	Ra≥80	I	1.7kg	2.2kg
HRFD-E120D	120W	≥17000lm						
HRFD-E150D	150W	≥20000lm						
HRFD-E160D	160W	≥22000lm				II	2.2kg	2.8kg
HRFD-E200D	200W	≥27000lm						
HRFD-E240D	240W	≥38000lm				III	4.9kg	3.8kg
HRFD-E300D	300W	≥45000lm						

产品描述 Product Description

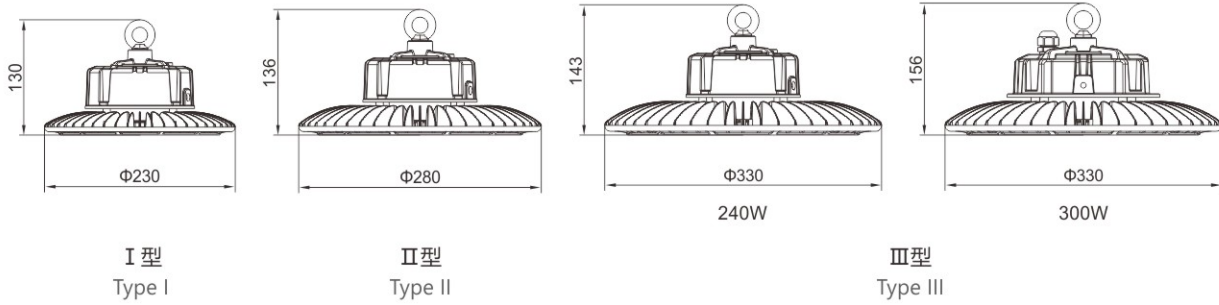
执行标准 Conformity to standards	中国GB标准 / 欧盟EN标准 Chinese GB standards / European EN standards	
额定电压 Rated voltage	120V~240V AC 50/60Hz (120V~277V AC 50/60Hz 可选 Optional)	
外壳材质 Enclosure material	铝合金 Aluminum alloy	
透明罩材质 Transparent cover material	PC透明罩 PC transparent cover	
环境温度 Ambient temperature	-40°C ~ +55°C (-60°C ~ +60°C 可选 Optional)	
防护等级 Degree of protection	IP66	
防腐等级 Corrosion-proof level	WF1(C3)、WF2(C4)(可选 Optional)	
引入装置 Cable gland	支架式 Bracket type	2×M25×1.5 引入口规格(1×M25工程塑料格兰+1×M25堵料堵头), 适合Φ10mm~Φ16mm电缆 2×M25×1.5 entry specification(1×M25 engineering plastic cable gland + 1×M25 engineering plastic plug), suitable for cable of Φ10mm~Φ16mm
	吊式 Hook type	自带引出线, 电缆规格为3×1.0mm ² 电缆 (长度300mm) Equipped with its own lead, cable specification 3×1.0mm ² (length 300mm)
接线端子 Terminal	≤2.5mm ² 导线可靠连接 ≤2.5mm ² reliable wire connection	



HRFD-E 系列防水防尘防腐LED灯(D型) HRFD-E Series Weatherproof LED Light Fittings (Type D)

外形及安装尺寸举例 Example of Outline Dimension and Mounting Type

◆ d: 吊式 d: Hook type



◆ k: 支架式 k: Bracket type

