

BCZ85 防爆插接装置

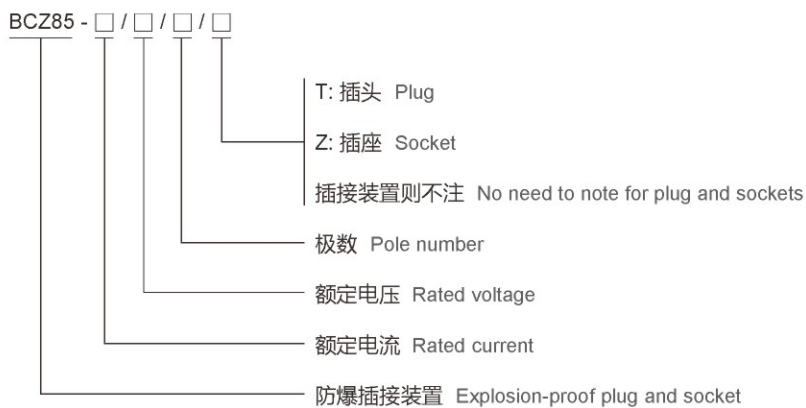
BCZ85
Explosion-proof Plug and Socket



应用场所 Application

- 广泛应用于海洋工程各类作业平台、各类化学品、天然气运输船、危险品码头等危险区域的电气连接；
- 可在潮湿、振动、腐蚀等恶劣环境中可靠工作；
- 适用于爆炸性危险环境1区、2区、21区、22区等场所。
- Widely used on various marine platforms, chemical tankers, LNG ships and dangerous cargo wharfs for electric connection;
- Can reliably work in severe environment where is easily affected by moisture, vibration, or corrosion;
- Explosive hazardous atmosphere Zone 1, Zone 2, Zone 21, Zone 22.

型号含义 Catalogue number logic



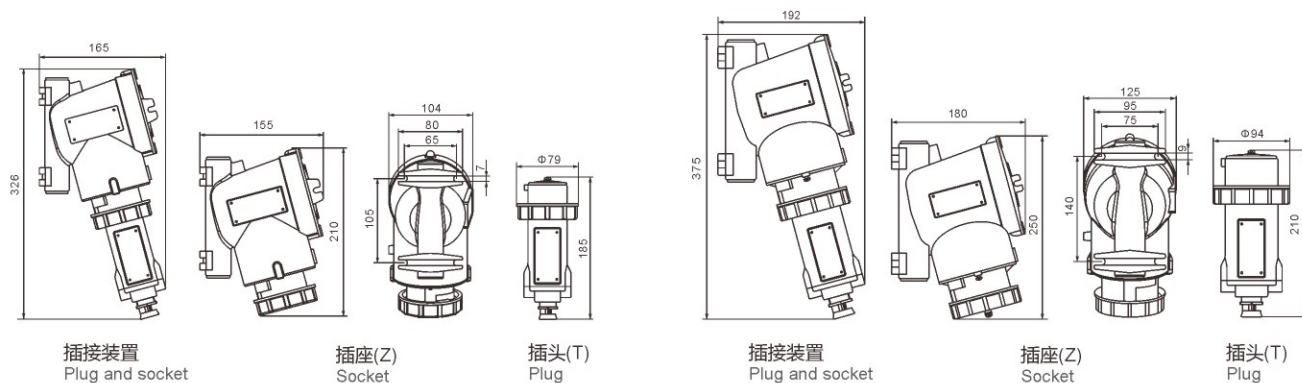
BCZ85 防爆插接装置

BCZ85 Explosion-proof Plug and Socket

技术参数 Technical parameters

执行标准 Conformity to standards	IEC 60079, EN 60079, GB/T 3836, CCS 入级规范 (CCS standard)				
环境温度 Ambient temperature	-40°C~+55°C				
防爆标志 Ex-Mark	Ex db IIC T6 Gb / Ex tb IIIC T80°C Db				
额定电压 Rated voltage	AC600~690V, AC480~500V, AC380~415V, AC200~250V, AC100~130V, DC50~250V, AC/DC12~48V, AC57/100~75/130V, AC120/208~144/250V, AC200/346~240/415V, AC277/480~288/500V, AC347/600~400/690V	AC600~690V, AC480~500V, AC380~415V, AC200~250V, AC120/208~144/250V, AC200/346~240/415V, AC277/480~288/500V, AC347/600~400/690V	AC600~690V, AC480~500V, AC380~415V, AC200~250V, AC200/346~240/415V, AC277/480~288/500V	AC600~690V, AC480~500V, AC380~415V, AC200~250V, AC200/346~240/415V, AC277/480~288/500V	AC600~690V, AC480~500V, AC380~415V, AC200~250V, AC200/346~240/415V, AC277/480~288/500V
额定电流 Rated current	10A、16A	20A、32A	50A、60A、63A	100A、125A	
防护等级 Degree of protection	IP66				
防腐等级 Corrosion-proof	WF2				
插头: 引入口规格 Plug: cable entry	1×M25×1.5(2P, 3P, 4P)	1×M32×1.5(5P)	1×M32×1.5	1×M50×1.5	1×M50×1.5
插座: 隔爆内螺纹 Socket: flameproof interal thread	2×M25×1.5	2×M32×1.5(5P)	2×M32×1.5	2×M40×1.5	2×M50×1.5
插头电缆外径 Cable outer diameter of plug	适合Φ10~Φ14mm电缆(2P、3P、4P) 适合Φ12~Φ17mm电缆(5P) Suitable for cable of Φ10~Φ14mm(2P, 3P, 4P) Suitable for cable of Φ12~Φ17mm(5P)		适合Φ12~Φ17mm电缆 Suitable for cable of Φ12~Φ17mm.	适合Φ18~Φ33mm电缆 Suitable for cable of Φ18~Φ33mm.	适合Φ18~Φ33mm电缆 Suitable for cable of Φ18~Φ33mm.
插座电缆外径 Cable outer diameter of socket	插座根据所选DQM引入装置 The cable of socket is according to the selected DQM cable gland.				

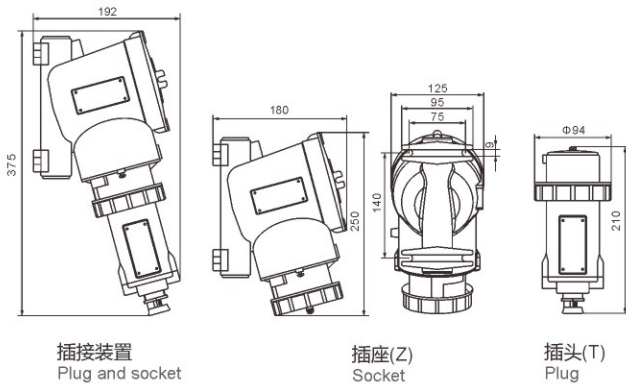
外形尺寸 Outline dimension



BCZ85-16/□/□/2P、BCZ85-16/□/□/3P、BCZ85-16/□/□/4P

BCZ85-16/□/□/5P

外形尺寸 Outline dimension

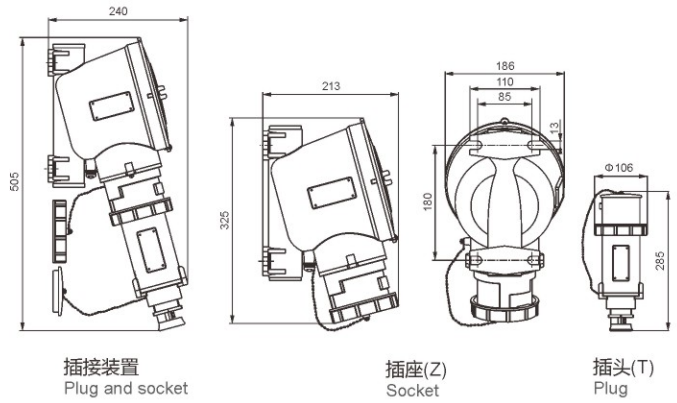


插接装置
Plug and socket

插座(Z)
Socket

插头(T)
Plug

BCZ85-32/□/□/□

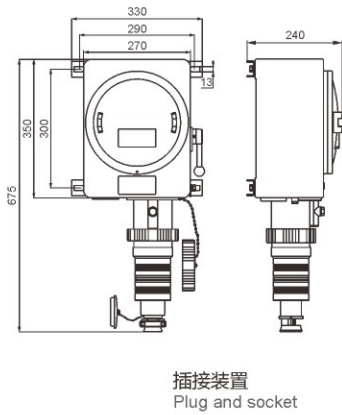


插接装置
Plug and socket

插座(Z)
Socket

插头(T)
Plug

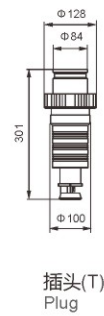
BCZ85-63/□/□/□



插接装置
Plug and socket

插座(Z)
Socket

BCZ85-125/□/□/□



插头(T)
Plug

