

# BBJ86 防爆声光报警器

BBJ86  
Explosion-proof Audio and Visual Caution Spotlight Fitting



## 应用场所 Application

- 广泛应用于海洋工程各类作业平台、各类化学品、天然气运输船、危险品码头等危险区域作事故信号报警或作为信号指示用；
- 可在潮湿、振动、腐蚀等恶劣环境中可靠工作；
- 适用于爆炸性危险环境1区、2区、21区、22区等场所。
- Widely used for incident alarm or signal indication on various marine platforms, chemical tankers, LNG ships and hazardous cargo wharfs, etc..
- Can reliably work in severe environment exposed in moisture, vibration or corrosion;
- Explosive hazardous atmosphere Zone 1, Zone 2, Zone 21, Zone 22.

## 型号含义 Catalogue number logic



## 颜色可选 Color Options

- 内装灯罩有红、黄、绿、蓝四种颜色可供选择，也可根据用户要求定制多色声光报警器。
- The inner lamp shade is available in red, yellow, green, and blue, and can also be customized into multi-color sound and light alarms according to user requirements.

## 结构紧凑 Compact Structure

- 一体式结构设计，体积小，耐候性能强。
- Integrated structural design, small size, strong weather resistance.

## 有效示警 Effective Indication

- 专利光学结构，配置高亮度LED光源，示警时灯光闪烁，亮度高，颜色显眼，照射角度宽广；
- 选用高品质发声元件，配置扩音外罩，报警时声音强度高，穿透性强，传播距离更远。
- Patented optical structure, equipped with high-brightness LED light source, flashing light during alarm, along with high brightness, eye-catching color and wide illumination angle;
- High-quality sound components are selected, equipped with an amplifying cover, ensuring high sound intensity, strong penetration, and greater transmission distance during alarms.

## 选配表 Selection Table

型号 Type	额定功率 Rated power	额定电压 Rated voltage	发光颜色 luminous color	防爆标志Ex-Mark			重量(kg) Weight
				GB	IECEX	ATEX	
BBJ86-01R	45W	100~277V AC 50/60Hz	红色 Red	Ex db IIC T6 Gb	Ex db IIC T6 Gb	Ex II 2 G Ex db IIC T6 Gb	4.70
BBJ86-01G	45W		绿色 Green				
BBJ86-01Y	45W		黄色 Yellow				
BBJ86-01B	45W		蓝色 Blue				
BBJ86-02	35W	130~250V DC	-	Ex tb IIIC T80°C Db	Ex tb IIIC T80°C Db	Ex II 2 D Ex tb IIIC T80°C Db	3.20
BBJ86-03R	10W	12~48V AC/DC	红色 Red				3.45
BBJ86-03G	10W		绿色 Green				
BBJ86-03Y	10W		黄色 Yellow				
BBJ86-03B	10W		蓝色 Blue				

- 01：声光一体，02：仅发声，03：仅发光
- 01: Sound and light, 02: Sound only, 03: Light only
- 灯具出厂时标配防爆堵头，若用户需要防爆电缆夹密封接头，请注明。
- The product comes with an explosion-proof plug as standard at the time of delivery. If the user requires an explosion-proof cable gland, please specify.

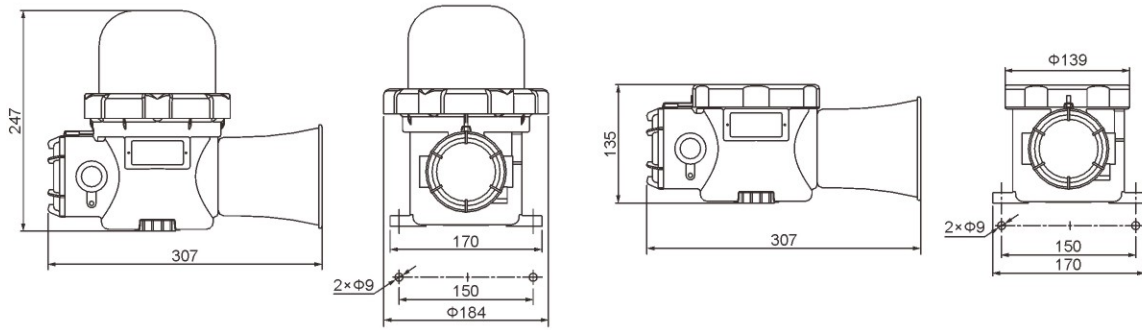
## 技术参数 Technical Parameters

执行标准 Conformity to standards	GB/T 3836, IEC 60079, EN60079
外壳材质 Enclosure material	无铜铝合金，表面喷塑，黄色(RAL1021) Copper-free aluminum alloy, powder-coated surface, yellow (RAL1021)
透明罩材质 Transparent cover material	钢化玻璃，抗4J冲击 Tempered glass, resistant to 4J impact
闪光次数 Number of flashes	150~160次/分钟 150~160 Times/min
声音强度 Sound intensity	110~120dB (R=1m)
环境温度 Ambient temperature	-60°C ~ +60°C
防护等级 Degree of protection	IP66
防腐等级 Corrosion-proof level	WF2
电缆引入口 Cable entries	3×M25×1.5堵头(铝合金)，推荐配2×M25×1.5格兰(黄铜镀镍)DQM-II/III Ex db，适用于Φ12.5~Φ20.5mm电缆 3×M25×1.5 plug (Aluminum alloy), 2×M25×1.5 gland (Nickel plated brass) DQM-II/III Ex db is recommended, suitable for Φ12.5~Φ20.5mm cable
接线端子 Terminal block	1.5 ~ 4mm <sup>2</sup>

# BBJ86 防爆声光报警器

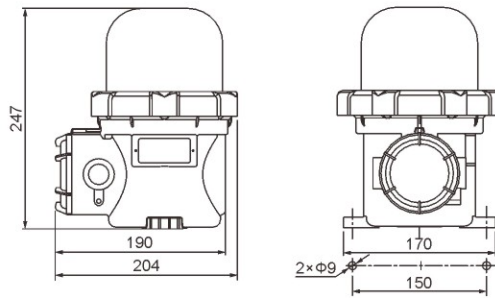
BBJ86 Explosion-proof Audio and Visual Caution Spotlight Fitting

## 外形尺寸 Outline dimension



BBJ86-01 □ 声光报警  
BBJ86-01 □ Sound and Light

BBJ86-02 □ 仅发声报警  
BBJ86-02 □ Sound only



BBJ86-03 □ 仅发光报警  
BBJ86-03 □ Light only