

# HDL-H 直升机平台防爆灯

HDL-H  
Helideck Explosion-proof Light



## 应用场所 Application

- 适用于直升机平台“H”标志的灯光指示；
- 适用于爆炸性环境1区，2区，21区，22区等场所；
- 适用于环境温度：-40°C~+60°C。
- Applied to the lighting indication of "H" sign for helideck;
- Explosive hazardous atmosphere Zone 1, Zone 2, Zone 21, Zone 22;
- Suitable for temperature of -40°C~+60°C.

## 型号含义 Catalogue number logic



## 产品特性 Features

- 壳体采用优质海工铝，适用于海洋环境；
- LED绿色光源，寿命长达10万小时；
- 可通过控制系统，对灯具发出调光指令，实现灯具标准亮和明亮的切换；
- 专业光学软件设计的二次配光系统，符合CAP437标准要求。
- Enclosure uses high quality maritime aluminium alloy, which is applied to the ocean environment.
- LED green light source, service life is up to 100000 hours.
- Standard light and bright light of light fittings can be switched through controlling the system and the dimming instruction of light fittings.
- Professional optics software designed secondary light distribution system, conform to CAP437 standard requirements.

### 选配表 Selection table

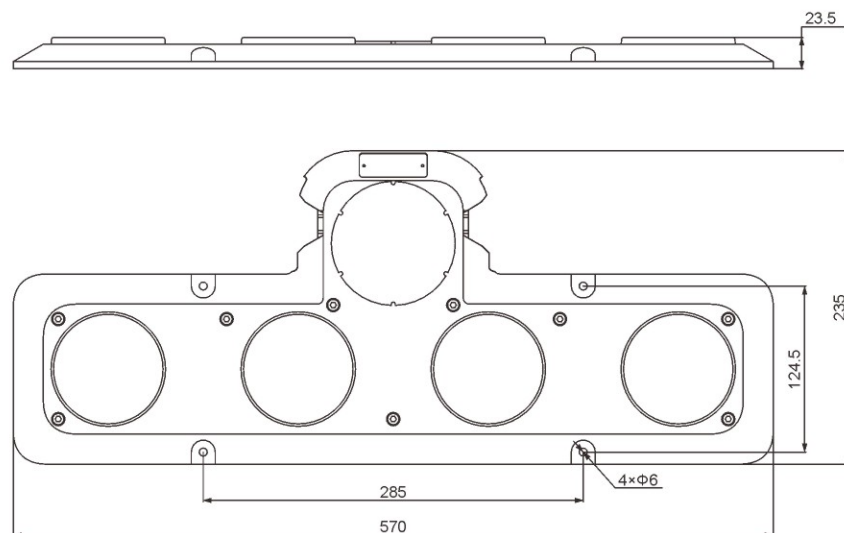
型号 Type	额定电压(V) Rated voltage	额定功率(W) Rated power	发光颜色 Lamp colour	防护等级 Degree of protection	重量(kg) Weight
HDL-H	16V~32V DC	≤0.3W	绿色 Green	IP66/IP67/IP69	3.5

- 如需其他特殊要求，订货时请注明。
- If other special requirements are needed, please specify when ordering.

### 技术参数 Technical parameters

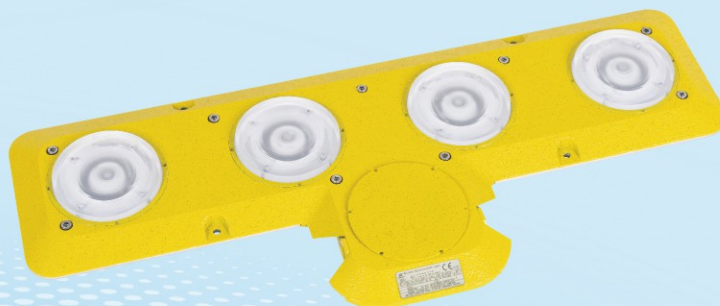
执行标准 Conformity to standards	IEC 60079, EN 60079, GB/T 3836, CCS 入级规范 (CCS standard), CAP 437			
防爆标志 Ex-Mark	GB	Ex db eb IIC T6 Gb Ex tb IIIC T80°C Db		
	IECEX	Ex db eb IIC T6 Gb Ex tb IIIC T80°C Db IP66/IP67		
	ATEX	$\text{Ex II 2 G Ex db eb IIC T6 Gb}$ $\text{Ex II 2 D Ex tb IIIC T80°C Db IP66/IP67}$		
环境温度 Ambient temperature	-40°C~+60°C			
光源类型 Light source	LED			
发光强度 Light intensity	仰角 (Elevation)	2°~12°	>12°~20°	>20°~90°
	光强 (Intensity)Max	60cd	30cd	10cd
防护等级 Degree of protection	IP66/IP67/IP69			
防腐等级 Corrosion-proof	WF2			
进线规格 Cable entry	4×1.0mm <sup>2</sup>			

### 外形尺寸 Outline dimension



# HDL-C 直升机平台防爆灯

HDL-C  
Helideck Explosion-proof Light



## 应用场所 Application

- 适用于直升机平台“TD/PM”圈的灯光指示；
- 适用于爆炸性环境1区，2区，21区，22区等场所；
- 适用于环境温度：-40°C~+60°C。
- Applied to the lighting indication of “TD/PM” circle for helideck;
- Explosive hazardous atmosphere Zone 1, Zone 2, Zone 21, Zone 22;
- Suitable for temperature of -40°C~+60°C.

## 型号含义 Catalogue number logic



## 产品特性 Features

- 壳体采用优质海工铝，适用于海洋环境；
- LED黄色光源，寿命长达10万小时；
- 可通过控制系统，对灯具发出调光指令，实现灯具标准亮和明亮的切换；
- 专业光学软件设计的二次配光系统，符合CAP437标准要求。
- Enclosure uses high quality maritime aluminium alloy, which is applied to the ocean environment.
- LED yellow light source, service life is up to 100000 hours.
- Standard light and bright light of light fittings can be switched through controlling the system and the dimming instruction of light fittings.
- Professional optics software designed secondary light distribution system, conform to CAP437 standard requirements.