

CTZ4-LED LED探照灯

CTZ4-LED
LED Search Light



A: 电动 Auto



B: 手动 Hand

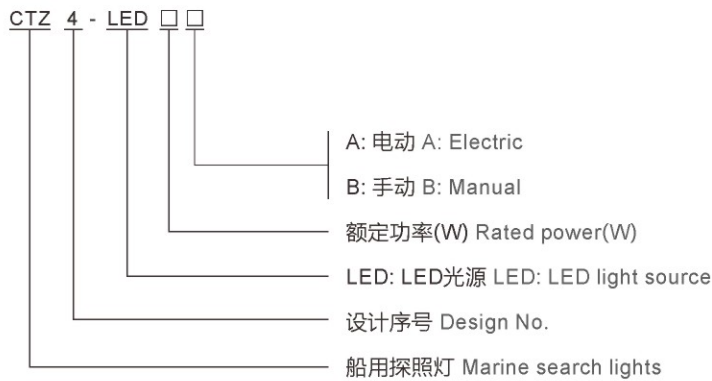


应用场所 Application

- 适用于船舶、海洋平台、港口、码头等作露天场所投光、泛光照明。
- Suitable for spotlight and floodlight illumination in open spaces like ships, offshore platforms, ports and wharfs, etc..

D

型号含义 Catalogue number logic



CTZ4-LED LED探照灯

CTZ4-LED LED Search Light

应用场所 Application

- 适用于船舶、港口、码头等作露天场所搜索照明。
- Suitable for search illumination in open spaces like ships, ports and wharfs, etc..

透明罩 Transparent cover

- 钢化玻璃
- Toughened glass

卡扣 Buckle

- 不锈钢
- Stainless steel

灯体 Housing

- 不锈钢，表面喷塑
- Stainless steel, powder coated surface

电气 Electric

- 恒流恒压驱动电源，宽电压输入 100V~277V AC 50/60Hz
- Constant current constant voltage driving power, wide voltage input 100V~277V AC 50/60Hz

选配表 Selection table

型号 Type	额定电压(V) Rated voltage	额定功率(W) Rated power	中心光强(cd) Central light intensity	发散角 Divergence angle	重量(kg) Weight
CTZ4-LED200A	100V~277V AC 50/60Hz	200W	2×10^6	3.5°	67.0
CTZ4-LED200B		200W	2×10^6		40.0
CTZ4-LED300A		300W	3×10^6		67.0
CTZ4-LED300B		300W	3×10^6		40.0

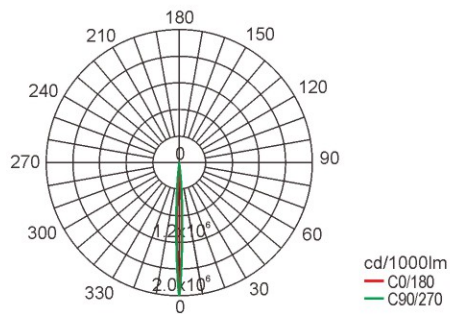
技术参数 Technical parameters

执行标准 Conformity to standards	GB 11472, GB 7000.7, GB/T 24954, IEC 60598, CCS 入级规范 (CCS standard)
环境温度 Ambient temperature	-40°C~+55°C
光源类型 Light source	LED 模组 LED module
色温 Color temperature	5000K
显色指数 Color rendering index	Ra≥70
防护等级 Degree of protection	IP66
电缆引入口 Cable entris	A型：配FQM-I，M20×1.5格兰，适用于Φ6~Φ12mm电缆 Type A: With FQM-I, M20×1.5 gland, suitable for Φ6~Φ12mm cable 电动装置：适用于Φ12~Φ14mm电缆 Electric device: Suitable for Φ12~Φ14mm cable B型：配FQM-I，2×M20×1.5格兰，适用于Φ6~Φ12mm电缆 Type B: With FQM-I, 2×M20×1.5 gland, suitable for Φ6~Φ12mm cable
接线端子 Terminal	3×1.5~4mm ²

配光曲线 Light distribution curve

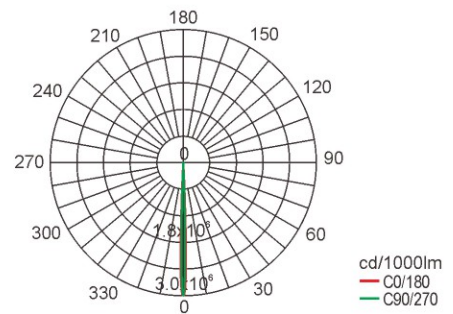
CTZ4-LED200

灯具功率 Lamp power	光通量 Luminous flux
200W	16740lm

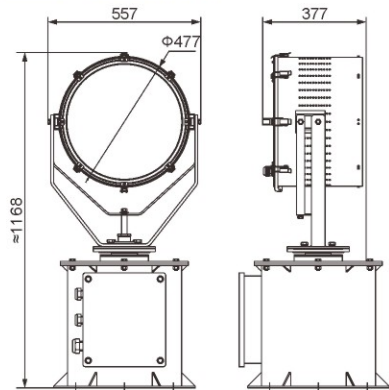


CTZ4-LED300

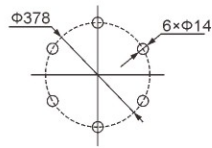
灯具功率 Lamp power	光通量 Luminous flux
300W	21575lm



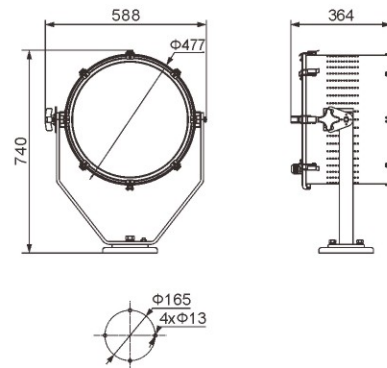
外形尺寸 Outline dimension



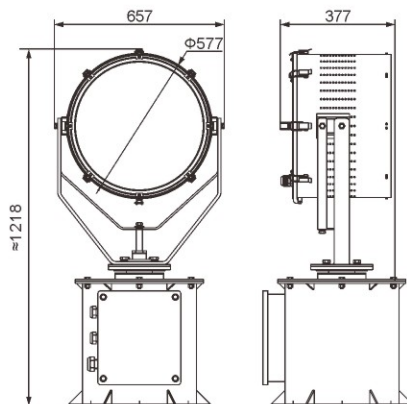
电动 Auto



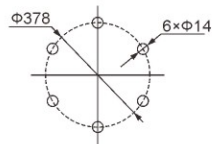
CTZ4-LED 200



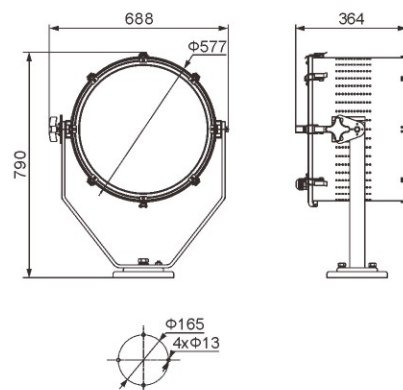
手动 Hand



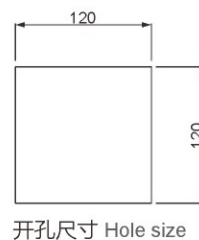
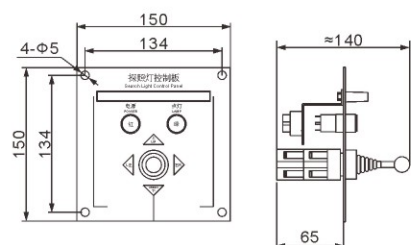
电动 Auto



CTZ4-LED 300



手动 Hand



开孔尺寸 Hole size

