

CXH□-1L LED航行信号灯

CXH□-1L LED Navigation Signal Light



应用场所 Application

- 适用于长度≥50米的船舶作昼夜航行灯光信号。
- Suitable for day and night navigation signal of ships whose length is 50m (or above).

型号含义 Catalogue number logic



灯体 Housing

- 壳体：不锈钢拉伸成型，表面喷塑
- 散热盖：优质海工铝合金，表面喷塑
- Enclosure: stainless steel stretching formed, powder coated surface
- Heat dissipation: high quality maritime aluminum alloy, powder coated surface

电气 Electric

- 恒流恒压驱动电源，宽电压输入
- 上下两层光源一用一备
- Constant current constant voltage drive power, wide voltage input
- Top and bottom lamps are one for usage and the other for standby

透明罩 Transparent cover

- PC材质
- PC material

选配表 Selection table

● 绿 Green ● 红 Red ○ 白色 White ● 黄 Yellow

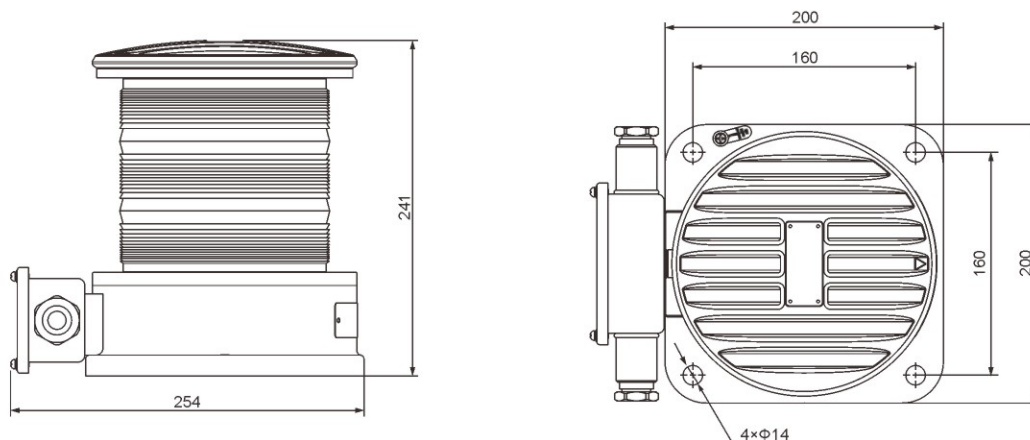
名称 Name	型号 Type	光源功率 Power	额定电压(V) Rated voltage	可见距离 Visibility	水平光弧 Level arc	颜色 Color	重量(kg) Weight
右舷灯 Starboard light	CXH1-1L	8W×2	24V DC 110V AC 220V AC 230V AC	3n.m	112.5°	●	3.5
左舷灯 Portside light	CXH2-1L	5W×2		3n.m	112.5°	●	3.5
桅灯 Masthead light	CXH3-1L	16W×2		6n.m	225°	○	3.6
艉灯 Stern light	CXH4-1L	8W×2 / 5W×2		3n.m	135°	○ ●	3.5
环照灯 All-round light	CXH6-1L	5W×2 / 8W×2		3n.m	360°	● ●	3.6
		5W×2 / 8W×2	● ○				

- 本产品获得了欧盟MED / EC证书
- This product has acquired the EU MED / EC certificate.

技术参数 Technical parameters

执行标准 Conformity to standards	符合《1972年国际海上避碰规则》和《钢质海船入级规范》、IEC 60598、GB/T 3028 , CCS入级规范 Conform to the International Regulations for Preventing Collisions at Sea, 1972, Rules for Classification of Sea-going Steel Ships, IEC 60598 and GB/T 3028, CCS standard
环境温度 Ambient temperature	-40°C~+55°C
光源类型 Light source	LED 模组 LED module
防护等级 Degree of protection	IP66
电缆引入口 Cable entris	2×Φ25.5孔, 配2×FQM-IV, M25×1.5格兰(黄铜镀镍), 适用于Φ10~Φ18mm电缆 2×Φ25.5 hole, with 2×FQM-IV, M25×1.5 gland (Nickel plated brass), suitable for Φ10~Φ18mm cable
接线端子 Terminal	1.5~2.5mm ²

外形尺寸 Outline dimension



CXH5-1□L LED信号灯

CXH5-1□L
LED Signal Light

CXH7 巴拿马操舵灯

CXH7
Panama Canal Steering Light



CXH5-1□L

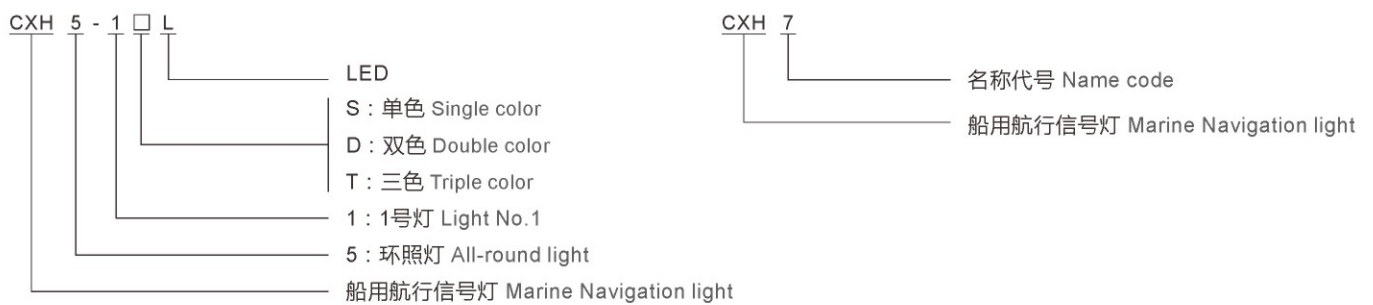


CXH7

应用场所 Application

- CXH5-1□L：适用于长度≥50米的船舶作昼夜航行灯光信号。
- CXH5-1□L: suitable for day and night navigation signal of ships whose length is 50m (or above).
- CXH7：适用于长度超过100m以上的船舶在狭窄航道，如巴拿马运河和圣劳伦斯航道上作夜航时，需设置操舵灯(又称操纵标)；安装于船首(前桅)，并应能从船桥沿船的中心线清晰地看到操舵灯蓝色光，若被(如克令吊)遮挡，则应在船首(前桅)左右各安装一盏操舵灯。
- CXH7: suitable for vessels longer than 100m to pass through the narrow channel, such as the Panama Canal and St. Lawrence waterway for navigation at night, it is required to set the steering light, which is installed at the stem (foremast) and the blue light of the steering light could be seen clearly from the Funabashi along the center line. If it is blocked by the crane, the steering light should be installed on the left and right of the stem(foremast).

型号含义 Catalogue number logic



灯体 Housing

- 黄铜材质
- Brass material

透明罩 Transparent cover

- 钢化玻璃
- Toughened glass

电气 Electric

- 恒流恒压驱动电源，宽电压输入
- Constant current constant voltage drive power, wide voltage input
- CXH5-1SL 单色发光
- CXH5-1DL 双色发光
- CXH5-1TL 三色发光
- CXH5-1DL、CXH5-1TL通过控制器切换发光颜色
- CXH5-1DL, CXH5-1TL Switch luminous colors through the controller

选配表 Selection table

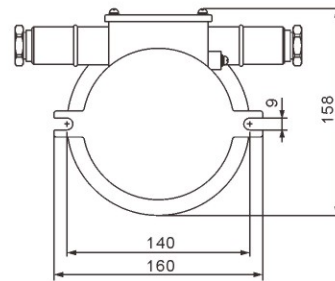
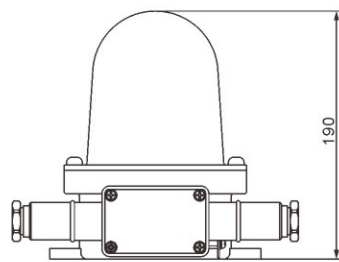
● 绿 Green ● 红 Red ○ 白色 White ● 黄 Yellow ● 蓝 Blue

型号 Type	光源功率 Power	额定电压(V) Rated voltage	可见距离 Visibility	水平光弧 Level arc	颜色 Color	重量(kg) Weight
CXH5-1SL	5W / 8W / 8W / 8W / 5W	110V~230V AC 50/60Hz 24V DC	3n.m	360°	● ○ ● ● ●	3.0
CXH5-1DL	5W / 8W				● ●	3.0
CXH5-1TL	5W / 8W / 8W				● ○ ●	3.0
CXH7	8W				●	3.0

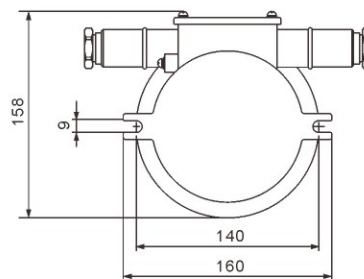
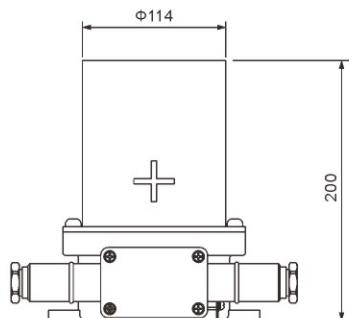
技术参数 Technical parameters

执行标准 Conformity to standards	符合《1972年国际海上避碰规则》和《钢质海船入级规范》、IEC 60598、GB/T 3028，CCS 入级规范 Conform to the International Regulations for Preventing Collisions at Sea, 1972, Rules for Classification of Sea-going Steel Ships, IEC 60598 and GB/T 3028, CCS standard
环境温度 Ambient temperature	-40°C~+55°C
光源类型 Light source	LED 模组 LED module
防护等级 Degree of protection	IP66
电缆引入口 Cable entris	2×FQM-IV，M25×1.5格兰(黄铜镀镍)，适用于Φ10~Φ18mm电缆 2×FQM-IV, M25×1.5 gland (Nickel plated brass), suitable for Φ10~Φ18mm cable
接线端子 Terminal	1.5~2.5mm ²

外形尺寸 Outline dimension



CXH5-1□L



CXH7