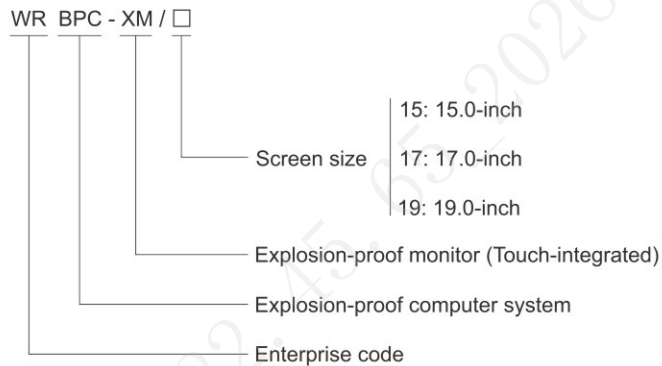


## SCS-JK Intelligent AI Video Image Analysis and Warning System WRBPC-XM Series Explosion-proof Monitor (Touch-integrated)



- ◆ Explosion protection to
  - CENELEC
  - IEC
- ◆ Can be used in
  - Zone 1 and Zone 2
  - Zone 21 and Zone 22

### ■ Catalogue number logic



### ■ Product features

- ◆ Explosion-Proof Human-Machine Interface (HMI) with touch capability, offering high efficiency and sensitivity, enabling direct touch in explosion-proof zones;
- ◆ Dual-NIC standard configuration provides network redundancy, enhancing client availability on the network;
- ◆ Fanless design featuring unique and innovative high-efficiency thermal management, preventing shutdowns caused by fan failures;
- ◆ Wide-screen display maintains the same resolution as DCS system operator stations, achieving optimal quality and viewing experience;
- ◆ Support direct communication with PLCs, facilitating seamless data exchange with connected devices;
- ◆ Specially designed for hazardous industrial environments, this integrated explosion-proof HMI operates via touch, supports onboard intrinsic safety keyboards, and explosion-proof mice, and is widely used in information and automation control systems across explosive hazard sites.

**Zones 1&2; 21&22**

## SCS-JK Intelligent AI Video Image Analysis and Warning System WRBPC-XM Series Explosion-proof Monitor (Touch-integrated)

### Technical data

#### Explosion-proof monitor (Touch-integrated) WRBPC-XM

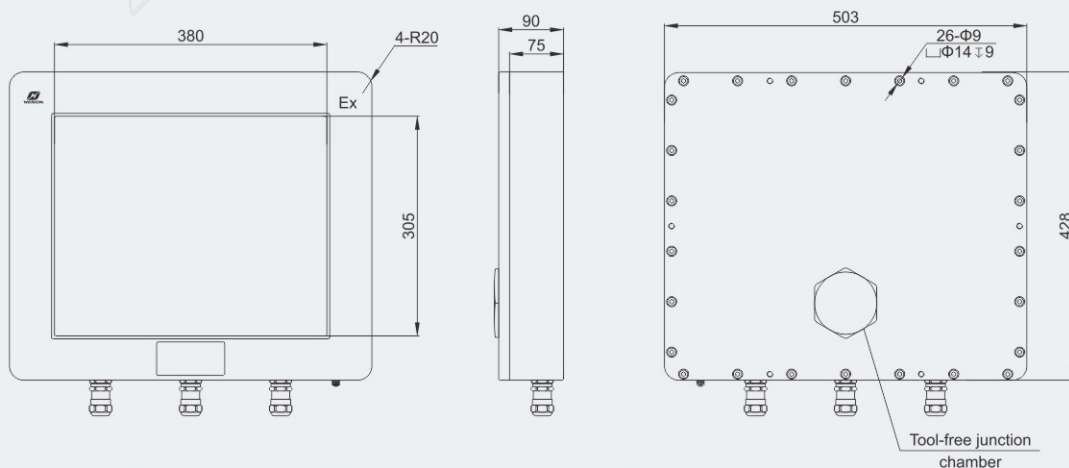
<b>Explosion protection</b>	
Global (IECEX)	IECEX (applied for)
Gas and dust	Ex db IIB T6 Gb Ex db IIC T6 Gb Ex tb IIIC T80°C Db
Europe (ATEX)	ATEX (applied for)
Gas and dust	⊕ II 2 G Ex db IIB T6 Gb ⊕ II 2 G Ex db IIC T6 Gb ⊕ II 2 D Ex tb IIIC T80°C Db
<b>Certificates</b>	IECEX; ATEX
<b>Conformity to standards</b>	IEC 60079-0, IEC 60079-1, IEC 60079-31 EN 60079-0, EN 60079-1, EN 60079-31
<b>Degree of protection</b>	IP66
<b>Brightness</b>	350cd/m <sup>2</sup> (>600cd/m <sup>2</sup> optional)
<b>Operating Mode</b>	Fingertip or touch-pen operation (explosion-proof keyboard and mouse optional)
<b>CPU</b>	Intel Core i5 / Intel Core i7
<b>Memory</b>	8 GB(16GB, 32GB optional)
<b>Storage</b>	128G SSD(256G, 512G, 1T SSD optional)
<b>Ethernet</b>	2*10/100/1000 Mbps Ethernet/R45
<b>Serial Port</b>	4*RS485 / RS422 / RS232
<b>USB</b>	USB 3.0, with extension capability for 2 USB 2.0
<b>Operating System</b>	win 7, win 10, win 11, Kirin (Domestic version)
<b>Operating Temperature</b>	-20°C~+75°C
<b>Operating Voltage</b>	220VAC, 110VAC /24VDC
<b>Installation Method</b>	Wall-mounted, flush-mounted on front panel, optional column-/cantilever-/wall-mounted console

### Selection table

Product Model	WRBPC-XM/15	WRBPC-XM/17	WRBPC-XM/19
Screen Size	15"	17"	19"
Resolution	1024*768(4:3)	1280*1024(5:4)	1280*1024(5:4)
Unit Weight	<24Kg	<30Kg	<34Kg



### Dimension drawings (all dimensions in mm) - subject to alteration



This figure shows the 19-inch external dimensions. For other external dimensions, please consult the company's technical department.