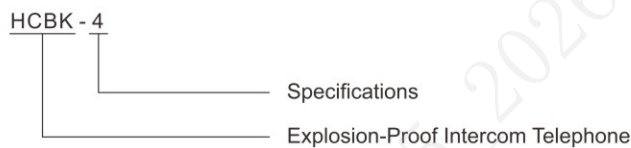


SCS-KD Smart Integrated Communication Control System HCBK-4 Explosion-proof Intercom Telephone



- ◆ Explosion protection to
 - CENELEC
 - IEC
- ◆ Can be used in
 - Zone 1 and Zone 2
 - Zone 21 and Zone 22

■ Catalogue number logic



■ Product features

- ◆ The housing is die-cast from aluminum alloy with a high-temperature electrostatic powder coating surface.
- ◆ The telephone station features a high-strength anti-static handle, and the hanging mechanism uses a magnetic induction type non-contact switch, offering excellent waterproof, dustproof, and corrosion-resistant performance.
- ◆ The device integrates essential communication circuits, noise cancellation circuits, protection circuits, and other functional circuits within a single unit.
- ◆ The telephone system supports flexible networking; numbers can be modified according to the system's switch at any time, with no restrictions on adding or removing devices. Each telephone operates as an independent workstation; failure of one unit does not affect the overall system operation.
- ◆ The telephone supports individual calling—simply lifting the handset allows dialing.
- ◆ The ringer produces a loud sound exceeding 70 decibels.
- ◆ The handset is equipped with a noise-canceling microphone, enabling clear communication even in high-noise environments.
- ◆ It features standard PBX functions including pulse dialing, dual-tone multi-frequency (DTMF) dialing, and musical ringback tones.

Zones 1&2; 21&22

SCS-KD Smart Integrated Communication Control System HCBK-4 Explosion-proof Intercom Telephone

Technical data

Explosion-Proof Intercom Telephone HCBK-4

Explosion protection

Global (IECEX)	IECEX (applied for)
Gas and dust	Ex db ib IIC T6 Gb Ex tb IIIC T80°C Db
Europe (ATEX)	ATEX (applied for)
Gas and dust	⊕ II 2 G Ex db IIC T6 Gb ⊕ II 2 D Ex tb IIIC T80°C Db

Certificates

IECEX; ATEX

Conformity to standards

IEC 60079-0, IEC 60079-1, IEC 60079-31, EN 60079-0, EN 60079-1, EN 60079-31

Material

Aluminium alloy

Supply voltage

24-60V

Ringing voltage

AC60V, 25Hz

Supply current

15mA

Ringing sound level

90dB

Protection rating

IP66

Corrosion protection rating

WF2

Mounting method

Wall-mounted

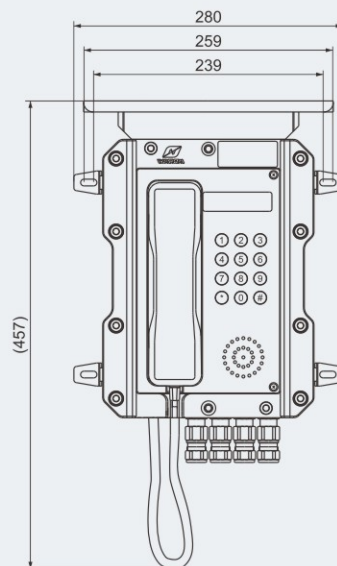
Temperature range

-45°C~+60°C

Weight

9kg

Dimension drawings (all dimensions in mm) - subject to alteration



Cable glands
configured as needed