

SCS-ZM Intelligent Lighting Management and Control System WRG600 Explosion-Proof Intelligent Communication Base Station

- ◆ Explosion protection to
 - CENELEC
 - IEC
 - NEC
- ◆ Can be used in
 - Zone 2
 - Zone 21 and Zone 22
- ◆ Intelligent Communication: Upstream supports fiber, Ethernet cable, 4G, 5G-flexible networking. Downstream uses industrial wireless or power line carrier technology with self-organizing capabilities, enabling dynamic self-organization, self-configuration, and self-maintenance.
- ◆ Intelligent Storage: Built-in smart storage chip; storage system control strategy ensures stable and safe system operation.
- ◆ Intelligent Upgrade: Supports remote and local upgrades for easy maintenance after deployment.



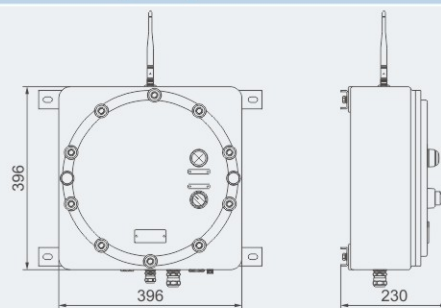
Technical data

Explosion-Proof Intelligent Communication Base Station WRG600

Explosion protection	IECEX (applied for)
Global (IECEX)	Ex db IIC T6 Gb
Gas and dust	Ex tb IIIC T80°C Db
Europe (ATEX)	ATEX (applied for)
Gas and dust	⊕ II 2 G Ex db IIC T6 Gb
	⊕ II 2 D Ex tb IIIC T80°C Db
Certificates	IECEX; ATEX
Conformity to standards	EN 60079-0, EN 60079-1, EN 60079-31
	IEC 60079-0, IEC 60079-1, IEC 60079-31
Operating voltage	AC220/230V 50/60Hz
Protection rating	IP66
Communication method	Upstream: Fiber or ethernet cable, 4G, 5G
	Downstream: Zigbee wireless or power line carrier
Cable entries	Cables: M25×1.5 entry size-compatible with cables from Φ9mm to Φ16mm
	Optical cables: M20×1.5 entry size-compatible with optical cables from Φ5.5mm to Φ12mm
	Spares: 1×M20×1.5, 1×M25×1.5 entry sizes



Dimension drawings (all dimensions in mm) - subject to alteration



Zones 1&2; 21&22