

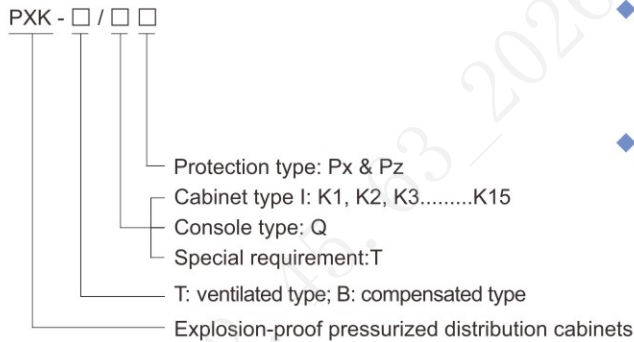
Pressurized Products

PXK Series Explosion-proof Pressurized Distribution Cabinets



- ◆ Explosion protection to
 - CENELEC
 - IEC
- ◆ Can be used in
 - Zone 1 and Zone 2
 - Zone 21 and Zone 22
- ◆ Explosion-proof types IIC.
- ◆ Available in types Q, T, K.
- ◆ The product consists of main cavity and auxiliary cavity. The main cavity is of pressurized cavity, with electrical components that users need and pressure check sensor system, ventilation air distribution system, and air conditioning system, etc.; the auxiliary cavity is installed with explosion-proof ventilation auto-control system, explosion-proof power auto-off system, explosion-proof alarm system, explosion-proof pressure display system, and air in/out connector; the auxiliary cavity with auto-air supply is equipped with explosion-proof air supply device.
- ◆ Cabinet type product adopts GGD frame; the main cavity and auxiliary cavity are of left and right structure; cable channel is of horizontal installation type; bottom inlet, front operation and back overhauling.
- ◆ Cabinet type product adopts high quality steel plate welding structure; the main cavity and auxiliary cavity are of up and down structure; wall type installation; bottom inlet, front operation and back overhauling.
- ◆ The back doors of cabinet type and console type are of rapid opening device, convenient for user to install and overhaul.

■ Catalogue number logic



Ex pz IIC



Ex px IIC



Ex px IIC

Zones 1&2; 21&22

Pressurized Products

PXK Series Explosion-proof Pressurized Distribution Cabinets

Technical data	
Explosion-proof pressurized distribution cabinets (Ex pz IIC) PXK-□/□□	
Explosion protection	
Global (IECEX)	IECEX EUT 17.0002X
Gas and dust	Ex pzc IIC T5 Gc Ex pzc IIIC T95°C Dc
Europe (ATEX)	EPT 15 ATEX 0187
Gas and dust	⊕ Ex II 3 G Ex pz IIC T5 Gc ⊕ Ex II 3 D Ex pD IIIC T95°C Dc IP66
CUTR	RU C-CN.MH062.B.00413/19
Gas and dust	2 Ex pz IIC T6 Gc / Ex tb IIIC T80°C Db IP66 2 Ex pz IIC T4 Gc / Ex tb IIIC T130°C Db IP66
Certificates	IECEX; ATEX; CUTR; INMETRO
Conformity to standards	EN 60079-0, EN 60079-2, EN 61241-4, IEC 60079-0, IEC 60079-2
Positive pressure value	200Pa~800Pa(0.002bar~0.008bar)
Air source	0.2MPa~0.8MPa (2bar~8bar)
Rated voltage	Max. 690V AC 50/60Hz, 500V DC
Rated current	Max. 630A
Enclosure material	Stainless steel or powder coated carbon steel
Degree of protection	IP66
Ambient temperature	IECEX, ATEX: -10°C~+55°C CUTR: -20°C~+55°C(T6/T80°C); -20°C~+75°C(T4/T130°C)

Selection table						
Type	Outline W×H×D (mm)	Main cavity W×H×D (mm)	Auxiliary cavity W×H×D (mm)	Effective dimension of main cavity operation panel W×H (mm)	Installation (mm)	Enclosure weight (kg)
K1	680×1400×385	680×1000×345	680×280×345	400×700	600×180	30.00
K2	880×1400×385	880×1000×345	880×280×345	580×700	800×180	40.00
K3	1000×1400×440	1000×1000×400	1000×280×345	700×700	920×280	50.00
K4	1000×1400×650	1000×1000×600	1000×280×345	700×700	920×459	60.00
K5	1000×1400×870	1000×1000×820	1000×280×345	700×700	920×679	70.00
K6	1000×1680×440	1000×1280×400	1000×280×345	700×980	920×280	60.00
K7	1000×1680×650	1000×1280×600	1000×280×345	700×980	920×459	75.00
K8	1000×1680×870	1000×1280×820	1000×280×345	700×980	920×679	90.00
K9	1000×1830×440	1000×1430×400	1000×280×345	700×1130	920×280	70.00
K10	1000×1830×650	1000×1430×600	1000×280×345	700×1130	920×459	90.00
K11	1000×1830×870	1000×1430×820	1000×280×345	700×1130	920×679	105.00

Pz series pressurized cabinets

- ◆ It is a pressurized explosion-proof cabinet designed for Zone 2; compared with Px series, Pz series leave out the safety device that checks ventilation time, and only marks the ventilation time; it is operated according to requirement before energizing of main cavity by user; when air pressure is lower than 100Pa, the auto-control system automatically alarms (audio and visual); opens air inflow and automatically adjusts inner air; when air inflow successes, it recovers to normal; if not, the air pressure decreases to 60Pa; the system does not automatically de-energize, but continues to alarm.

Ordering information

- ◆ Please specify the product type when ordering according to Catalogue Number Logic;
- ◆ Users should provide electrical system drawing, control schematic diagram, brand of inner components, layout drawing of panel components, cable size of inlet/outlet and quantity, etc..



Pressurized Products

PXK Series Explosion-proof Pressurized Distribution Cabinets

Technical data

Explosion-proof pressurized distribution cabinets (Ex db eb pxb IIC) PXK-□/□□

Explosion protection	
Global (IECEX)	IECEX CQM 19.0019X
Gas and dust	Ex db eb pxb IIC T4 Gb Ex pxb tb IIIC T130°C Db IP66
Europe (ATEX)	ATEX (applied for)
Gas and dust	⊕ II 2 G Ex db eb pxb IIC T4 Gb ⊕ II 2 D Ex pxb tb IIIC T130°C Db IP66
CUTR	RU C-CN.HA65.B.01389/22
Gas and dust	1 Ex db px IIC T4 Gb X Ex px tb IIIC T130°C Db X
Certificates	IECEX; ATEX; CUTR; INMETRO
Conformity to standards	EN 60079-0, EN 60079-1, EN 60079-2, EN 60079-7, EN 60079-31 IEC 60079-0, IEC 60079-1, IEC 60079-2, IEC 60079-7, IEC 60079-31
Positive pressure value	200Pa~600Pa (0.002bar~0.006bar)
Air pressure	0.2MPa~0.8MPa (2bar~8bar)
Rated voltage	Max. 1000V AC 50/60Hz Max. 1500V DC
Rated current	Max. 630A
Enclosure material	Powder coated carbon steel or stainless steel
Ambient temperature	-40°C~+55°C

Selection table

Model	Outline dimension (mm)	Positive pressure cavity volume (m ³)	Ventilation flow (m ³ /h)	Ventilation time (min)	Air leakage (m ³ /h)
K1	600×600×350	0.126	10	5	2
K2	600×800×350	0.168		6	
K3	800×1000×350	0.28		9	
K4	800×1200×400	0.384		13	
K5	800×1200×600	0.576		18	
K6	800×1600×600	0.64		20	
K7	800×2000×600	0.96		29	
K8	1000×1800×600	1.08		33	
K9	1000×2000×600	1.2		40	
K10	1200×2000×600	1.44		45	
K11	1000×2000×800	1.6		48	
K12	1200×2000×800	1.92		58	
K13	1400×2000×800	2.24		68	

■ Px series pressurized cabinets

- ◆ The components of pressurized cavity of console type product are mainly used for on-site control components, analysis instrument, centralized control and signal contact; and used for on-site continuous operation and monitoring;
- ◆ Computer can be installed on request;
- ◆ Special design is on request.

■ Ordering information

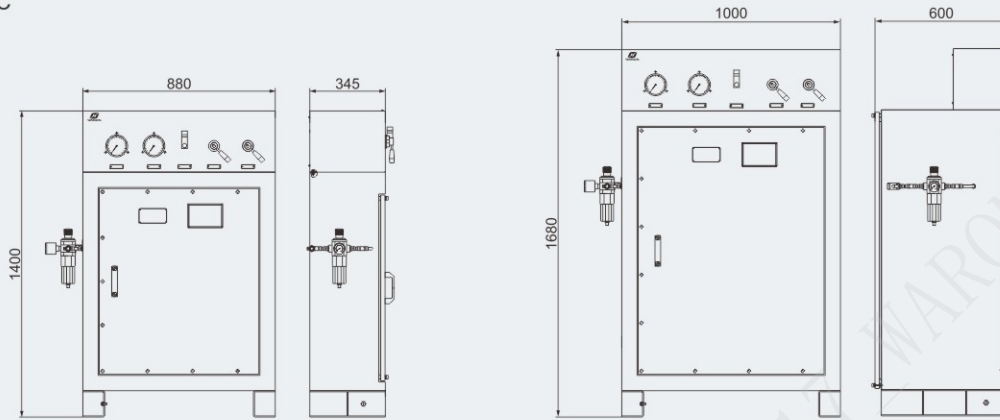
- ◆ Please specify the product type when ordering according to Catalogue Number Logic;
- ◆ Users should provide electrical system drawing, control schematic diagram, brand of inner components, layout drawing of panel components, cable size of inlet/outlet and quantity, etc..



Pressurized Products PXX Series Explosion-proof Pressurized Distribution Cabinets

Dimension drawings (all dimensions in mm) - subject to alteration

Ex pz IIC



Ex px IIC

