

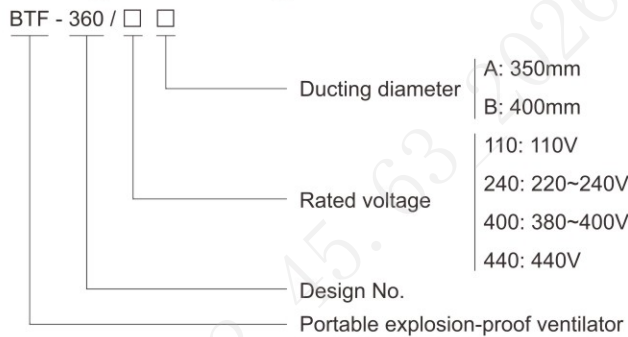
## Exhaust Fans

### BTF Series Portable Explosion-proof Ventilator



- ◆ Explosion protection to
  - CENELEC
  - IEC
- ◆ Can be used in
  - Zone 1 and Zone 2
  - Zone 21 and Zone 22
- ◆ The housing material is HDPE (high-density polyethylene).
- ◆ The product consists of an explosion-proof motor, explosion-proof switch box, blades, fan casing, and fan housing.

#### ■ Catalogue number logic



#### ■ Selection table

Model	Ducting diameter (V)	Rated voltage (V)	Weight (kg)
BTF-360/110A	350	AC 110	22.0kg
BTF-360/240A		AC 220~240	
BTF-360/400A		AC 380~400	
BTF-360/440A		AC 440	
BTF-360/110B	400	AC 110	22.8kg
BTF-360/240B		AC 220~240	
BTF-360/400B		AC 380~400	
BTF-360/440B		AC 440	

Zones 1&2; 21&22

## Exhaust Fans

### BTF Series Portable Explosion-proof Ventilator

#### Technical data

#### Portable Explosion-proof Ventilator BTF-360/□□

#### Explosion protection

Global (IECEX)	IECEX (applied for)
Gas and dust	Ex db eb h IIC T4 Gb Ex tb IIIC T130°C Db
Europe (ATEX)	ATEX (applied for)
Gas and dust	⊕ II 2 G Ex db eb h IIC T4 Gb ⊕ II 2 D Ex tb IIIC T130°C Db

#### Certificates

IECEX; ATEX

#### Conformity to standards

EN IEC 60079-0, EN 60079-1, EN IEC 60079-7, EN 60079-31, EN ISO 80079-37,  
IEC 60079-0, IEC 60079-1, IEC 60079-7, IEC 60079-31, ISO 80079-37

#### Fan power

0.25kW, 0.37kW, 0.55kW, 0.75kW

#### Rated voltage

110V AC, 220~240V AC, 380~400V AC, 440V AC

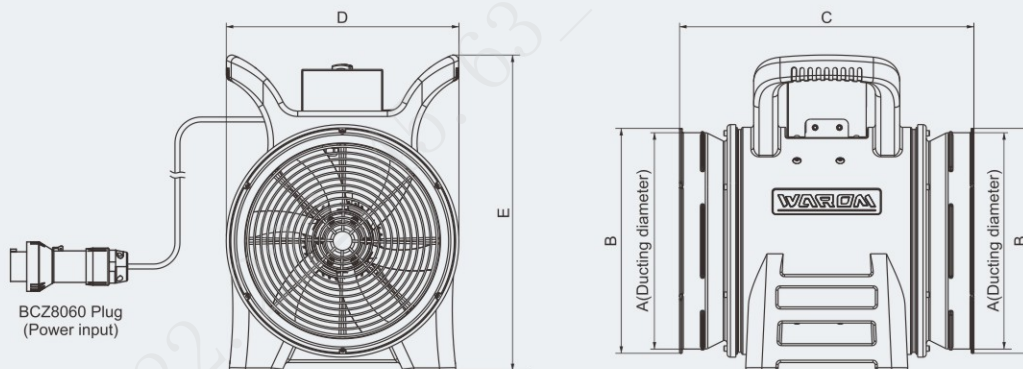
#### Spindle speed

2900r/min

#### Outlet thread

M25×1.5, M32×1.5

#### Dimension drawings (all dimensions in mm) - subject to alteration



Model	A	B	C	D	E	External cable length (m)
BTF-360/□A	Φ350	Φ366	544	430	585	10
BTF-360/□B	Φ400	Φ416				

#### Schematic diagram of fan connection to ventilation ductings

