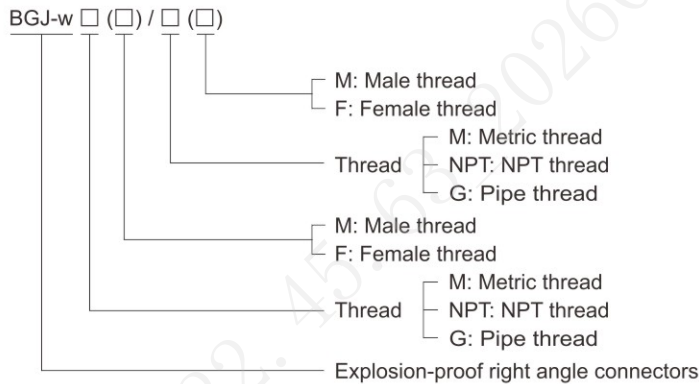


Accessories for Installation BGJ-w Series Explosion-Proof Right Angle Connectors



- ◆ Explosion protection to
 - CENELEC
 - IEC
- ◆ Can be used in
 - Zone 1 and Zone 2
 - Zone 21 and Zone 22
- ◆ Available in stainless steel.

■ Catalogue number logic



Technical data

Explosion-proof right angle connectors **BGJ-w□(□)/□(□)**

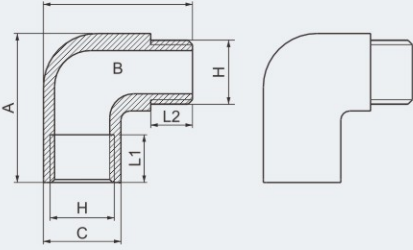
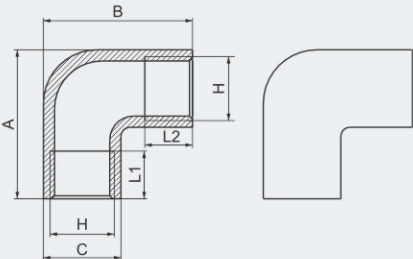
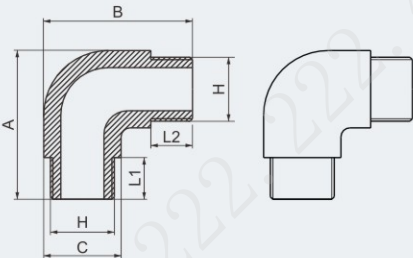
Explosion protection	IECEX (applied for) Ex db IIC Gb Ex eb IIC Gb Ex tb IIIC Db
Global (IECEX) Gas and dust	
Europe (ATEX) Gas and dust	ATEX (applied for) ⊕ II 2 G Ex db IIC Gb ⊕ II 2 G Ex eb IIC Gb ⊕ II 2 D Ex tb IIIC Db
Certificates	IECEX; ATEX
Conformity to standards	EN 60079-0, EN 60079-1, EN 60079-7, EN 60079-31 IEC 60079-0, IEC 60079-1, IEC 60079-7, IEC 60079-31
Material	stainless steel
Degree of protection	IP66
Ambient temperature	-60°C~+100°C
Type	F/F, M/F or M/M
Function	Pipe connector, reducer, connector

Zones 1&2; 21&22

Accessories for Installation

BGJ-w Series Explosion-Proof Right Angle Connectors

Selection table

Version	Thread "H"			Dimensions (mm)					Ordering code	Weight (kg)
	Metric	NPT	G	A	B	C	L1	L2		
 BGJ-w□(M)/□(F)	M20	1/2"	1/2"	52	50	Φ25	17	15	723001	0.10
	M25	3/4"	3/4"	58	56	Φ31	17	15	723002	0.14
	M32	1"	1"	67	66	Φ37	20	19	723003	0.17
	M40	1 1/4"	1 1/4"	76	75	Φ46	20	19	723004	0.25
	M50	1 1/2"	1 1/2"	84	83	Φ54	20	19	723005	0.30
	M63	2"	2"	98	97	Φ67	21	20	723006	0.35
 BGJ-w□(F)/□(F)	M20	1/2"	1/2"	48	48	Φ25	15	15	723010	0.10
	M25	3/4"	3/4"	54	54	Φ31	15	15	723011	0.15
	M32	1"	1"	64	64	Φ37	19	19	723012	0.20
	M40	1 1/4"	1 1/4"	73	73	Φ46	19	19	723013	0.25
	M50	1 1/2"	1 1/2"	81	81	Φ54	19	19	723014	0.30
	M63	2"	2"	94	94	Φ67	19	19	723015	0.35
 BGJ-w□(M)/□(M)	M20	1/2"	1/2"	50	50	Φ25	15	15	723019	0.07
	M25	3/4"	3/4"	56	56	Φ31	15	15	723020	0.10
	M32	1"	1"	66	66	Φ37	19	19	723021	0.15
	M40	1 1/4"	1 1/4"	75	75	Φ46	19	19	723022	0.25
	M50	1 1/2"	1 1/2"	83	83	Φ54	19	19	723023	0.25
	M63	2"	2"	97	97	Φ67	20	20	723024	0.30

Note: 1. Standard material is galvanized stainless steel.

2. Metric threads are 1.5mm pitch as standard, others thread pitch can be customized, please specify when ordering.

