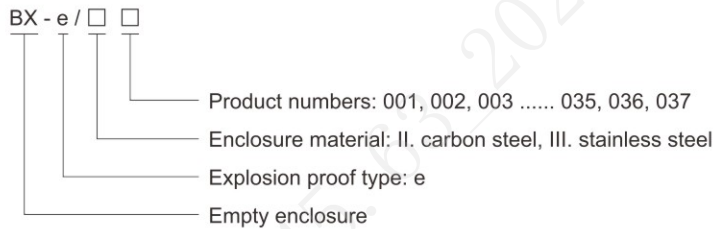


Empty Enclosures BX-e Series Empty Enclosure (Ex eb IIC)



- ◆ Explosion protection to
 - CENELEC
 - IEC
 - NEC
- ◆ Can be used in
 - Zone 1 and Zone 2
 - Zone 21 and Zone 22
 - Class I, Zone 1 and Zone 2
 - Class I, Division 2, Groups A, B, C, D
- ◆ Empty enclosure (Ex eb IIC) in stainless steel or carbon steel
37 versions.
- ◆ Cable entries can be drilled and components can be installed by user on request.
- ◆ Safety shall be considered when installing components according to related electrical standards.
- ◆ Special requirements on request.

Catalogue number logic



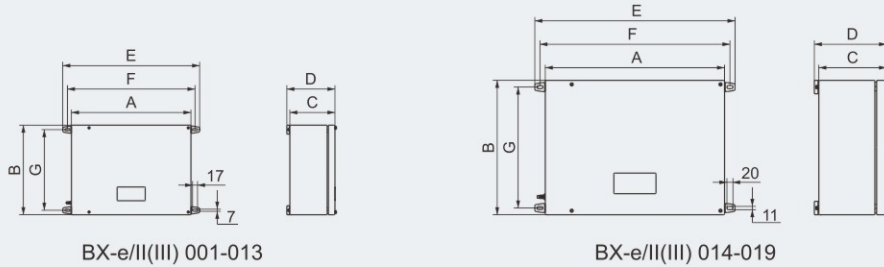
Technical data	
Empty enclosure	BX-e/□□
Explosion protection	
Global (IECEX)	IECEX CQM 24.0010U
Gas and dust	Ex eb IIC Gb Ex tb IIIC Db
Europe (ATEX)	ExVeritas 24 ATEX 1876U
Gas and dust	⊕ II 2 G Ex eb IIC Gb ⊕ II 2 D Ex tb IIIC Db
Certificates	IECEX; ATEX
Conformity to standards	EN 60079-0, EN 60079-7, EN 60079-31 IEC 60079-0, IEC 60079-7, IEC 60079-31
Degree of protection	IP66
Internal & external earthing	M6/M8/M10
Service temperature	-60°C~+110°C
Enclosure material	Stainless steel or carbon steel
Exposed fastener	Stainless steel
Mounting	Surface type, pedestal type

Zones 1&2; 21&22

Empty Enclosures BX-e Series Empty Enclosure (Ex eb IIC)

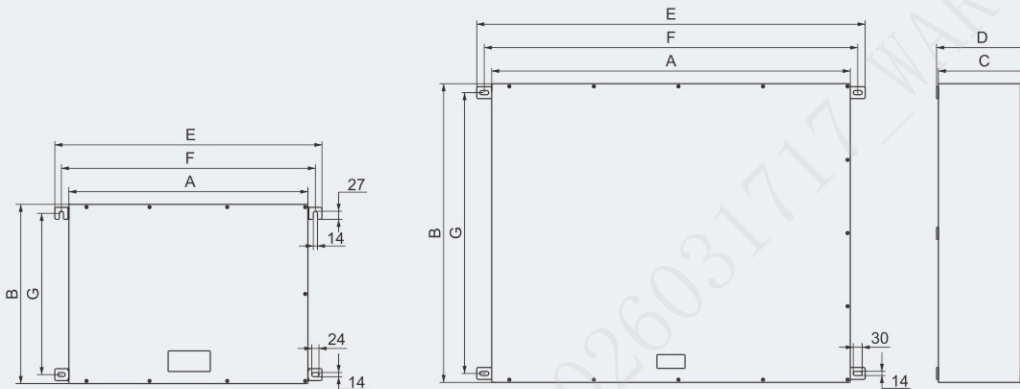
Selection table of BX-e series empty enclosure (all dimensions in mm)

Surface type



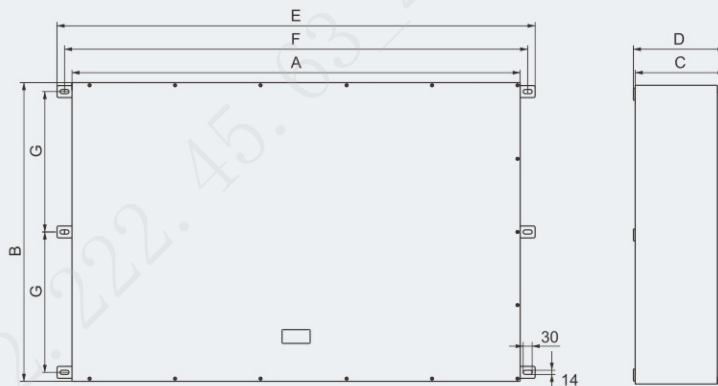
BX-e/II(III) 001-013

BX-e/II(III) 014-019



BX-e/II(III) 020-022

BX-e/II(III) 023



BX-e/II(III) 024

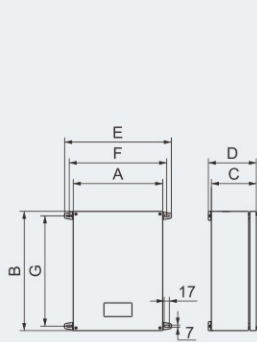


Model specifications	External dimensions	D	E	Installation dimensions	Model specifications	External dimensions	D	E	Installation dimensions
	A×B×C			F×G		A×B×C			F×G
BX-e/II(III) 001	170×150×110	120	228	198×120	BX-e/II(III) 013	360×360×165	175	418	388×330
BX-e/II(III) 002	220×180×110	120	278	248×150	BX-e/II(III) 014	500×400×200	210	570	536×366
BX-e/II(III) 003	300×200×110	120	358	328×170	BX-e/II(III) 015	500×400×300	310	570	436×466
BX-e/II(III) 004	300×200×125	135	358	328×170	BX-e/II(III) 016	480×480×150	160	550	516×446
BX-e/II(III) 005	360×220×125	135	418	388×190	BX-e/II(III) 017	480×480×250	260	550	516×446
BX-e/II(III) 006	360×220×165	175	418	388×190	BX-e/II(III) 018	600×500×200	210	670	636×466
BX-e/II(III) 007	250×250×150	160	308	278×220	BX-e/II(III) 019	600×500×300	310	670	636×466
BX-e/II(III) 008	300×300×150	160	358	328×270	BX-e/II(III) 020	800×600×200	218	894	850×540
BX-e/II(III) 009	300×300×200	210	358	328×270	BX-e/II(III) 021	800×600×300	318	894	850×640
BX-e/II(III) 010	300×400×150	160	358	328×370	BX-e/II(III) 022	1000×800×300	318	1094	1050×740
BX-e/II(III) 011	300×400×200	210	358	328×370	BX-e/II(III) 023	1200×1000×300	306	1300	1250×940
BX-e/II(III) 012	360×360×125	135	418	388×330	BX-e/II(III) 024	1500×1000×400	406	1600	1550×(470+470)

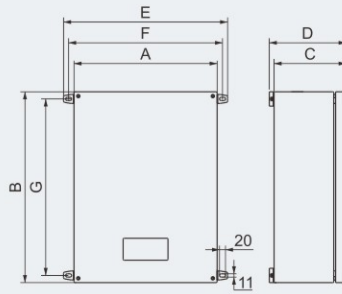
Empty Enclosures BX-e Series Empty Enclosure (Ex eb IIC)

Selection table of BX-e series empty enclosure (all dimensions in mm)

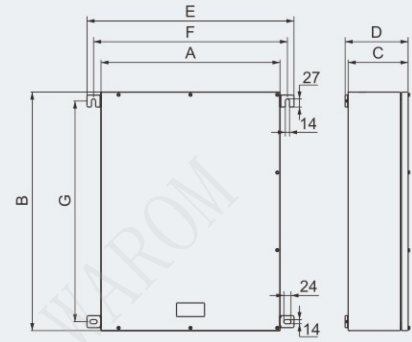
Surface type



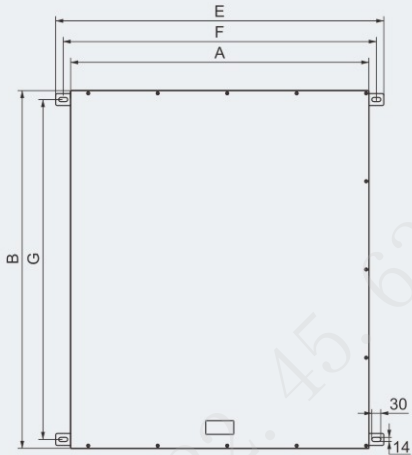
BX-e/II(III) 001-013



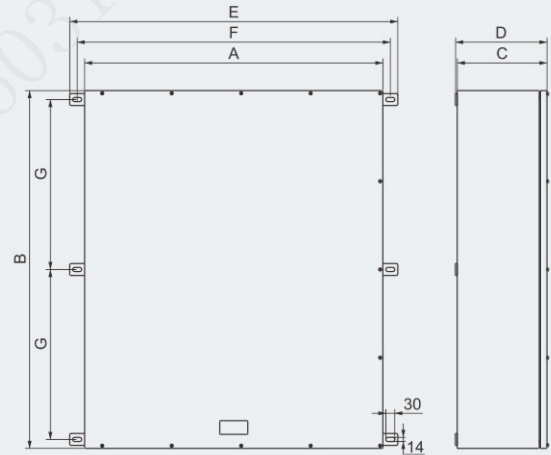
BX-e/II(III) 014-019



BX-e/II(III) 020-022



BX-e/II(III) 023



BX-e/II(III) 024



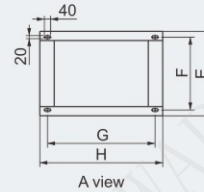
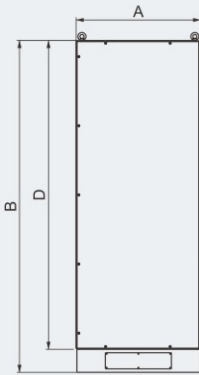
Model specifications	External dimensions	D	E	Installation dimensions	Model specifications	External dimensions	D	E	Installation dimensions
	A×B×C			F×G		A×B×C			F×G
BX-e/II(III) 001	150×170×110	120	208	178×140	BX-e/II(III) 013	360×360×165	175	418	388×330
BX-e/II(III) 002	180×220×110	120	238	208×190	BX-e/II(III) 014	400×500×200	210	470	436×466
BX-e/II(III) 003	200×300×110	120	258	228×270	BX-e/II(III) 015	400×500×300	310	470	436×466
BX-e/II(III) 004	200×300×125	135	258	228×270	BX-e/II(III) 016	480×480×150	160	550	516×446
BX-e/II(III) 005	220×360×125	135	278	248×330	BX-e/II(III) 017	480×480×250	260	550	516×446
BX-e/II(III) 006	220×360×165	175	278	248×330	BX-e/II(III) 018	500×600×200	210	570	536×566
BX-e/II(III) 007	250×250×150	160	308	278×220	BX-e/II(III) 019	500×600×300	310	570	536×566
BX-e/II(III) 008	300×300×150	160	358	328×270	BX-e/II(III) 020	600×800×200	218	694	650×740
BX-e/II(III) 009	300×300×200	210	358	328×270	BX-e/II(III) 021	600×800×300	318	694	650×740
BX-e/II(III) 010	300×400×150	160	358	328×370	BX-e/II(III) 022	800×1000×300	318	894	850×940
BX-e/II(III) 011	300×400×200	210	358	328×370	BX-e/II(III) 023	1000×1200×300	306	1100	1050×1140
BX-e/II(III) 012	360×360×125	135	418	388×330	BX-e/II(III) 024	1000×1500×400	406	1100	1050×(720+720)

Empty Enclosures BX-e Series Empty Enclosure (Ex eb IIC)

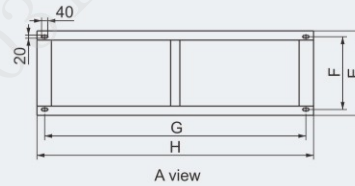
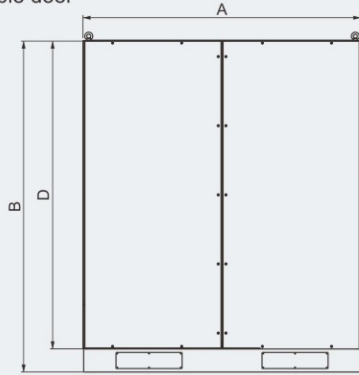
Selection table of BX-e series empty enclosure (all dimensions in mm)

Pedestal type

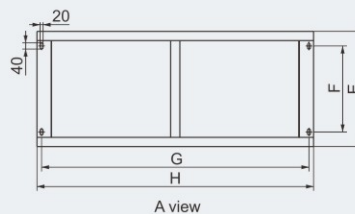
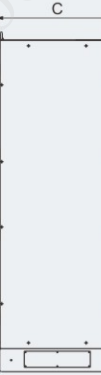
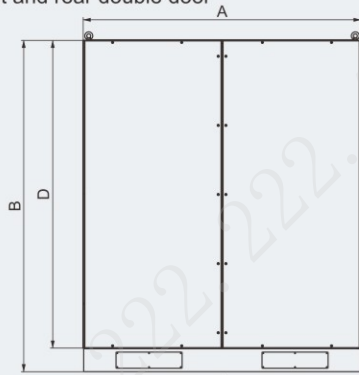
1. Single door



2. Double door



3. Front and rear double door



Model and Specifications	Dimensions	Base Dimensions	Base Mounting Dimensions	Cabinet Height	Note
	A×B×C	E×H	G×F	D	
BX-e/II(III) 025	600×1800×400	600×350	500×274	2010	Single door
BX-e/II(III) 026	800×1800×400	800×350	700×274	2010	
BX-e/II(III) 027	800×2000×400	800×350	700×274	2210	
BX-e/II(III) 028	800×2000×600	800×550	700×474	2210	
BX-e/II(III) 029	1000×2000×600	1000×550	920×474	2210	
BX-e/II(III) 030	1000×1800×400	1000×350	900×274	2010	Double door
BX-e/II(III) 031	1200×1800×400	1200×350	1100×274	2010	
BX-e/II(III) 032	1600×1800×400	1600×350	1500×274	2010	
BX-e/II(III) 033	1200×2000×400	1200×350	1100×274	2210	
BX-e/II(III) 034	1200×2000×600	1200×550	1100×474	2210	
BX-e/II(III) 035	1800×2000×600	1800×550	1700×474	2210	Front and rear double door
BX-e/II(III) 036	1200×2000×800	1200×750	1140×560	2210	
BX-e/II(III) 037	1800×2000×800	1800×750	1740×560	2210	

