

Distribution Boxes

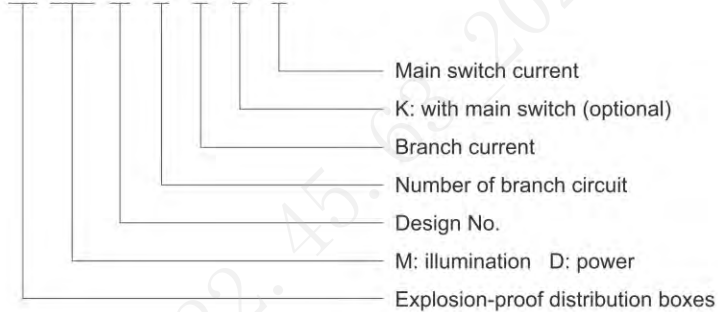
BXM(D)53 Series Explosion-proof Illumination (Power) Distribution Boxes (Ex db eb IIC)



- ◆ Explosion protection to
 - CENELEC
 - IEC
 - NEC
- ◆ Can be used in
 - Zone 1 and Zone 2
 - Zone 21 and Zone 22
 - Class I, Zone 1 and Zone 2
 - Class I, Division 2, Groups A, B, C, D
- ◆ Enclosure for modular combination (Ex d & Ex e).
- ◆ Main switch and branch switch are operated with external rotary actuator.
- ◆ Internal wiring to the terminal is finished.
- ◆ International brand of explosion-proof terminal blocks.
- ◆ Copper-free Aluminium Alloy, powder coated surface.
- ◆ Entries plugged. Cable glands on request (see P7/17~19).
- ◆ Special requirements on request.

■ Catalogue number logic

BX M(D) 53 - □ / □ / □ / □



Zones 1&2; 21&22

Distribution Boxes

BXM53 Series Explosion-proof Illumination Distribution Boxes (Ex db eb IIC)

Technical data

Explosion-proof illumination distribution boxes

BXM53-□/□/□/□

Explosion protection

Global (IECEX)	IECEX CQM 11.0042X
Gas and dust	Ex db eb IIC T6 Gb Ex tb IIIC T80°C Db IP66
Europe (ATEX)	TÜV CY 18 ATEX 0206016X
Gas and dust	⊕ II 2 G Ex db eb IIC T6 Gb ⊕ II 2 D Ex tb IIIC T80°C Db IP66

Certificates

IECEX; ATEX; CU-TR

Conformity to standards

EN 60079-0, EN 60079-1, EN 60079-7, EN 60079-31
IEC 60079-0, IEC 60079-1, IEC 60079-7, IEC 60079-31

General power supply

Rated voltage: max. 690V AC 50/60Hz; Rated current: max.100A

Branch current

1A, 2A, 4A, 6A, 10A, 16A, 20A, 25A, 32A

Exposed fastener

Stainless steel

Enclosure

Enclosure material	Copper-free Aluminium Alloy, powder coated surface
Enclosure colour	Window grey (RAL7040)
Enclosure type	Modular combination (Ex d & Ex e); MCB, MCCB or other components in Ex d compartment, explosion-proof indicators and terminals in Ex e compartment.

Built-in components

Main switch	MCB (miniature circuit breaker) or MCCB (moulded case circuit breaker) Note: earth leakage protection on request
-------------	---

Branch switch	MCB (miniature circuit breaker) or MCCB (moulded case circuit breaker) Note: earth leakage protection on request
---------------	---

Terminal	International brand of explosion-proof terminal blocks
----------	--

Indicator	Red
-----------	-----

Degree of protection

IP66

Internal & external earthing

M6/M8

Ambient temperature

-40°C~+55°C

Cable entries

Standard M□×1.5 plug (see the Selection table on P5/14)

Cable gland (optional)

DQM-I (Ex eb) is recommended. Please see P6/20~23

Entry direction

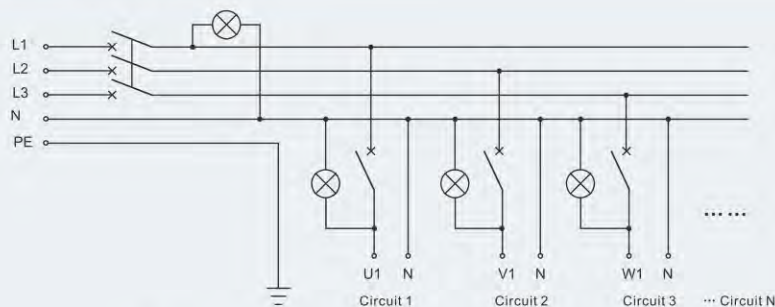
Bottom

Mounting

Surface type (standard)

Pedestal type (optional)

Electrical schematic diagram



BXM53 Series explosion-proof illumination distribution boxes



Distribution Boxes

BXM53 Series Explosion-proof Illumination Distribution Boxes (Ex db eb IIC)

Selection table of BXM53 series explosion-proof illumination distribution boxes

Version	Description					Cable entries
	Main switch	Number of branch circuit	Branch switch	Branch current	Number of indicator	
BXM53-4/□/K/□	MCB or MCCB	4	MCB 1P/2P	1A 2A 4A 6A 10A 16A 20A 25A 32A On request	1+4	1×M40×1.5 + 4×M25×1.5
BXM53-6/□/K/□		6			1+6	1×M40×1.5 + 6×M25×1.5
BXM53-8/□/K/□		8			1+8	1×M40×1.5 + 8×M25×1.5
BXM53-10/□/K/□		10			1+10	1×M40×1.5 + 10×M25×1.5
BXM53-12/□/K/□		12			1+12	1×M40×1.5 + 12×M25×1.5
BXM53-4/□	—	4	MCB 1P/2P	1A 2A 4A 6A 10A 16A 20A 25A 32A On request	4	1×M40×1.5 + 4×M25×1.5
BXM53-6/□		6			6	1×M40×1.5 + 6×M25×1.5
BXM53-8/□		8			8	1×M40×1.5 + 8×M25×1.5
BXM53-10/□		10			10	1×M40×1.5 + 10×M25×1.5
BXM53-12/□		12			12	1×M40×1.5 + 12×M25×1.5

Note

1. Please specify the number and size of cable entries and sides of the enclosure to be fitted.
2. Electrical schematic diagram shall be provided by user. Photo switch, AC contactor, thermal relay or others on request.
3. Please specify mounting type when ordering.
4. Rainproof canopy on request.



Distribution Boxes

BXD53 Series Explosion-proof Power Distribution Boxes (Ex db eb IIC)

Technical data

Explosion-proof power distribution boxes BXD53-□/□/□/□

Explosion protection

Global (IECEX)	IECEX CQM 11.0042X
Gas and dust	Ex db eb IIC T5 Gb Ex tb IIIC T80°C Db IP66
Europe (ATEX)	TÜV CY 18 ATEX 0206016X
Gas and dust	⊕ II 2 G Ex db eb IIC T5 Gb ⊕ II 2 D Ex tb IIIC T80°C Db IP66

Certificates

IECEX; ATEX; CU-TR

Conformity to standards

EN 60079-0, EN 60079-1, EN 60079-7, EN 60079-31
IEC 60079-0, IEC 60079-1, IEC 60079-7, IEC 60079-31

General power supply

Rated voltage: max. 690V AC 50/60Hz; Rated current: max.200A

Branch current

1A, 2A, 4A, 6A, 10A, 16A, 20A, 25A, 32A, 40A, 50A, 63A

Exposed fastener

Stainless steel

Enclosure

Enclosure material	Copper-free Aluminium Alloy, powder coated surface
Enclosure colour	Window grey (RAL7040)
Enclosure type	Modular combination (Ex d & Ex e); MCB, MCCB or other components in Ex d compartment, explosion-proof indicators and terminals in Ex e compartment.

Built-in components

Main switch	MCB (miniature circuit breaker) or MCCB (moulded case circuit breaker) Note: earth leakage protection on request
-------------	---

Branch switch	MCB (miniature circuit breaker) or MCCB (moulded case circuit breaker) Note: earth leakage protection on request
---------------	---

Terminal	International brand of explosion-proof terminal blocks
----------	--

Indicator	Red
-----------	-----

Degree of protection IP66

Internal&external earthing M6/M8

Ambient temperature -40°C~+55°C

Cable entries Standard M□×1.5 plug (see the Selection table on P5/16)

Cable gland (optional) DQM-I (Ex eb) is recommended. Please see P6/20~23

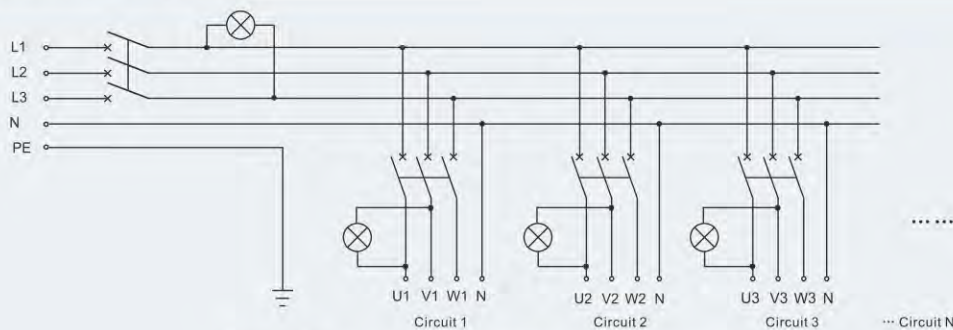
Entry direction Bottom

Mounting Surface type (standard)

Pedestal type (optional)



Electric schematic diagram



BXD53 Series explosion-proof power distribution boxes

Selection table of BXD53 series explosion-proof power distribution boxes

Version	Description					Cable entries			
	Main switch	Number of branch circuit	Branch switch	Branch current	Number of indicator				
BXD53-4/□/K/□	MCB or MCCB	4	MCB 3P	1A	1+4	1×M50×1.5 + 4×M25×1.5			
BXD53-6/□/K/□		6		2A	1+6	1×M50×1.5 + 6×M25×1.5			
BXD53-8/□/K/□		8		4A		1×M50×1.5 + 8×M25×1.5			
BXD53-10/□/K/□		Current: max. 200A		10	6A	1+10	1×M50×1.5 + 10×M25×1.5		
BXD53-12/□/K/□				12	10A		1+12	1×M50×1.5 + 12×M25×1.5	
BXD53-4/□				4	16A			1×M50×1.5 + 4×M25×1.5	
BXD53-6/□	—	6	MCB 3P	20A	6	1×M50×1.5 + 6×M25×1.5			
BXD53-8/□				8		25A	8	1×M50×1.5 + 8×M25×1.5	
BXD53-10/□				10	32A	10		1×M50×1.5 + 10×M25×1.5	
BXD53-12/□					12		40A	12	1×M50×1.5 + 12×M25×1.5
							50A		
					63A				
		On request							

Note

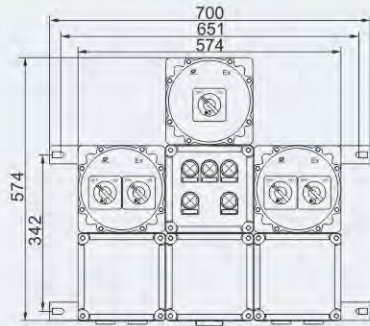
1. Please specify the number and size of cable entries and sides of the enclosure to be fitted.
2. Electrical schematic diagram shall be provided by user. Photo switch, AC contactor, thermal relay or others on request.
3. Please specify mounting type when ordering.
4. Rainproof canopy on request.



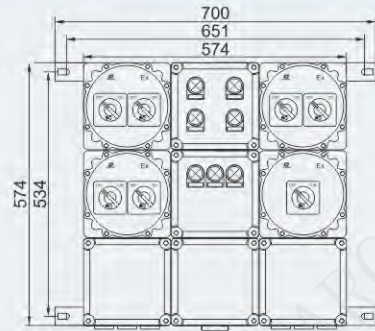
Distribution Boxes

BXM(D)53 Series Explosion-proof Illumination (Power) Distribution Boxes (Ex db eb IIC)

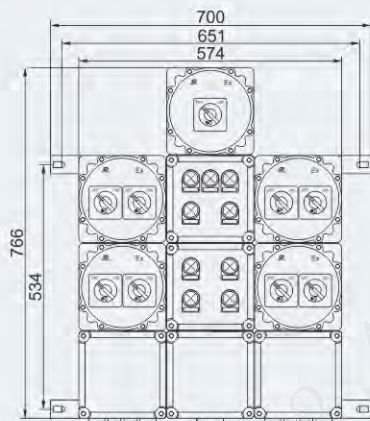
Dimension drawings (all dimensions in mm) - subject to alteration



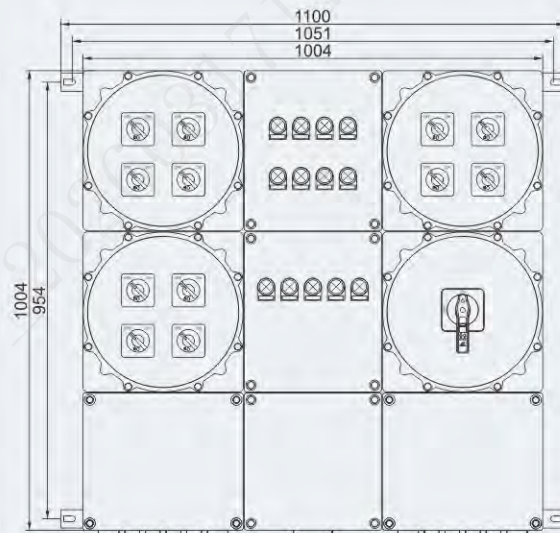
BXM(D)53-4/□/□/□



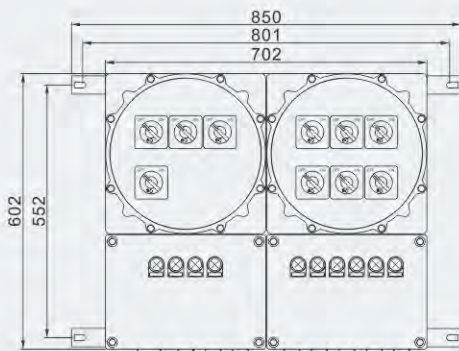
BXM(D)53-6/□/□/□



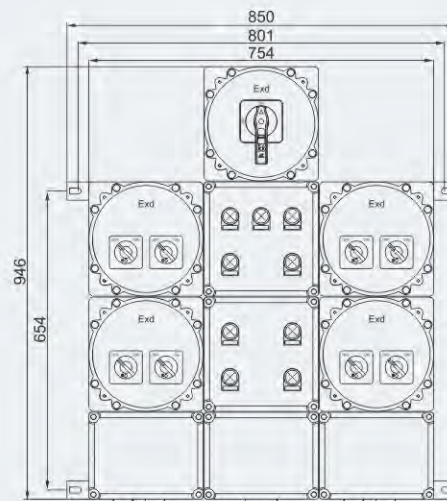
BXM(D)53-8/□/□/□



BXM(D)53-12/□/□/□



BXM(D)53-8/□/□/□
(with electrical surge protection device)



BXM(D)53-4/□/□/□
(magnetic force)

