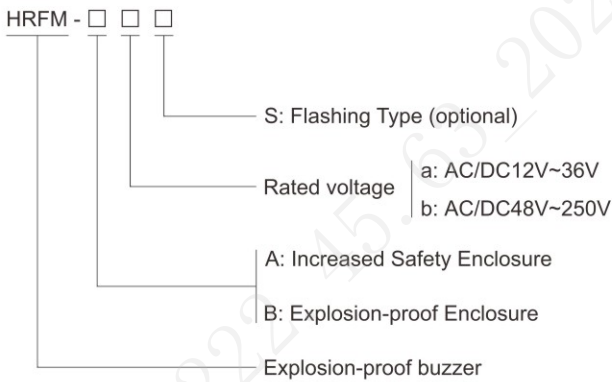


Components for BZC8050 Control Stations HRFM Series Explosion-proof Buzzer



- ◆ Explosion protection to
 - CENELEC
 - IEC
 - NEC
- ◆ Can be used in
 - Zone 1 and Zone 2
 - Zone 21 and Zone 22
 - Class I, Zone 1 and Zone 2
 - Class I, Division 2, Groups A, B, C, D
- ◆ Cover mounting.
- ◆ Explosion-proof enclosure: aluminum enclosure with PC cover
Increased safety enclosure: Polyamide enclosure with PC cover high product strength and stable performance.
- ◆ Flashing Type: Red PC cover.
Non-flashing Type: Black PC cover.

■ Catalogue number logic



Selection table

Model	Rated voltage (V)	Rated current (mA)	Ex-mark
HRFM-A	AC/DC12~36	<50	Ex eb ib mb IIC Gb/Ex tb IIIC Db
	AC/DC48~250	<100	
HRFM-B	AC/DC12~36	<50	Ex db ib mb IIC Gb/Ex tb IIIC Db
	AC/DC48~250	<100	

Zones 1&2; 21&22

Components for BZC8050 Control Stations

HRFM Series Explosion-proof Buzzer

Technical data

Explosion-proof Buzzer HRFM

Explosion protection

Global (IECEX)	IECEX (applied for)
Gas and dust	Ex eb ib mb IIC Gb Ex db ib mb IIC Gb Ex tb IIIC Db
Europe (ATEX)	ATEX (applied for)
Gas and dust	⊕ Ex II 2 G Ex eb ib mb IIC Gb ⊕ Ex II 2 G Ex db ib mb IIC Gb ⊕ Ex II 2 D Ex tb IIIC Db

Certificates

IECEX; ATEX

Conformity to standards

EN 60079-0, EN 60079-1, EN 60079-7, EN 60079-11, EN 60079-18, EN 60079-31
IEC 60079-0, IEC 60079-1, IEC 60079-7, IEC 60079-11, IEC 60079-18, IEC 60079-31

Enclosure material

Ex eb: Plastic
Ex db: Aluminium alloy

Enclosure colour

Black / Red

Rated voltage

48~250V AC/DC, 12~36V AC/DC

Rated current

<100mA, <50mA

Sound Pressure

60dB(30cm from the source)

Ambient temperature

-60°C~+90°C

Mounting

Cover mounting



Dimension drawings (all dimensions in mm) - subject to alteration

