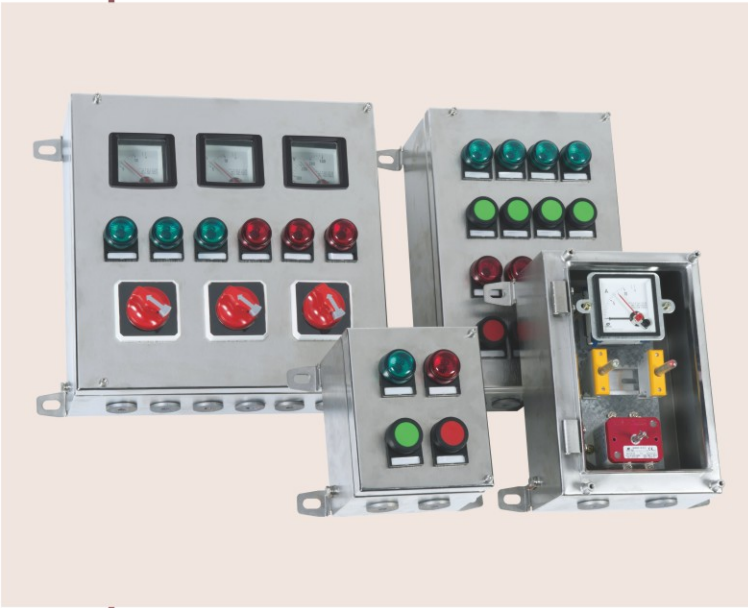


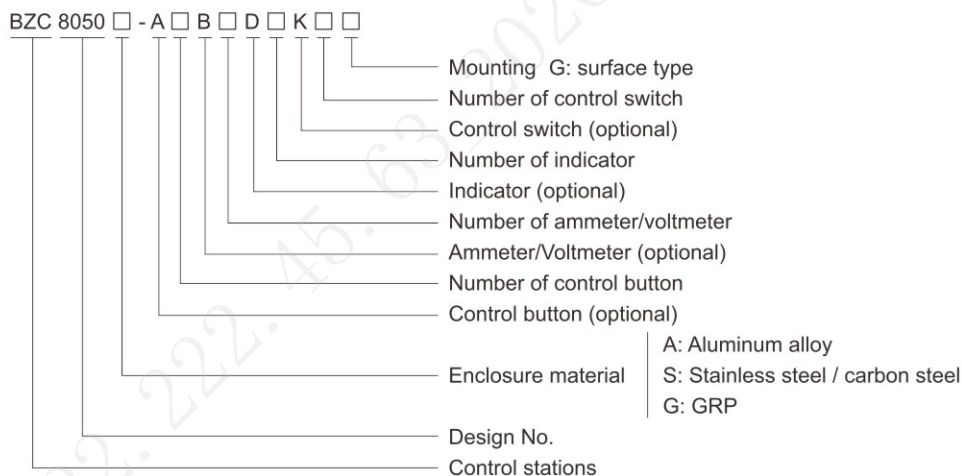
Control Stations

BZC8050 Series Control Stations (Stainless Steel)



- ◆ Explosion protection to
 - CENELEC
 - IEC
 - NEC
- ◆ Can be used in
 - Zone 1 and Zone 2
 - Zone 21 and Zone 22
 - Class I, Zone 1 and Zone 2
 - Class I, Division 2, Groups A, B, C, D
- ◆ Stainless steel enclosure.
- ◆ Five types of enclosure.
- ◆ Features excellent dustproof, waterproof, and corrosion-resistant properties, making it adaptable to various harsh working environments.
- ◆ The layout of buttons, switches, and other components on the control station is rational and straightforward, ensuring ease of use and quick mastery.
- ◆ A range of control methods can be selected based on actual needs, such as manual control, automatic control, or remote control, catering to varying application scenarios.

■ Catalogue number logic



■ Note

1. Please refer to the Selection table on P4/33.
2. Please select internal components as below:
 - Selection table of BA8060 control button on P4/36~39 (Nominal contact is 1NO+1NC);
 - Selection table of BD8060 indicator on P4/40~42;
 - Selection table of BK8050 control switch on P4/43~48;
 - Selection table of BB8050 explosion-proof ammeter/voltmeter on P4/49~51;
3. Example: BZC8050-A2D2G
 Components: Two control buttons, two indicators; surface type
 Tech. Details: One control start button (40092B+40090-1+40090-2, green, 1NO+1NC);
 One control stop button (40092A+40090-1+40090-2, red, 1NO+1NC);
 One indicator (40116B+40100B, green, 230V AC);
 One indicator (40115B+40099B, red, 230V AC);
4. Special requirements on request.

Zones 1&2; 21&22



Control Stations BZC8050 Series Control Stations (Stainless Steel)

Selection table of control station BZC8050 (stainless steel)(Without terminal)				
Enclosure type	Components arrangement	Cable entries and direction	Ordering code	Enclosure weight (kg)
I		2-M25×1.5 Bottom entry	40086.....	2.80
II		1-M32×1.5 or 2-M25×1.5 Bottom entry	40087.....	4.50
III		1-M40×1.5 or 2-M32×1.5 or 4-M25×1.5 Bottom entry	40088.....	6.75
IV		1-M40×1.5 or 2-M32×1.5 or 6-M25×1.5 Bottom entry	40089.....	10.25
V		1-M50×1.5 or 2-M40×1.5 or 6-M32×1.5 Bottom entry	40090.....	13.50
VI		1-M50×1.5 or 2-M40×1.5 or 8-M32×1.5 Bottom entry	40090.....	22.00



Control Stations

BZC8050 Series Control Stations (Stainless Steel)

Technical data

Control stations BZC8050 (stainless steel)

Explosion protection

Global (IECEX)	IECEX CQM 24.0057X
Gas and dust	Ex db eb mb IIC T6/T5 Gb ¹⁾ Ex db eb IIC T6/T5 Gb ¹⁾ Ex tb IIIC T80°C Db ¹⁾
Europe (ATEX)	TUV CY 25 ATEX 0207269X
Gas and dust	⊕ II 2 G Ex db eb mb IIC T6/T5 Gb ¹⁾ ⊕ II 2 G Ex db eb IIC T6/T5 Gb ¹⁾ ⊕ II 2 D Ex tb IIIC T80°C Db ¹⁾

¹⁾See Selection table.

Certificates

IECEX; ATEX; CU-TR

Conformity to standards

EN 60079-0, EN 60079-1, EN 60079-7, EN 60079-18, EN 60079-31
IEC 60079-0, IEC 60079-1, IEC 60079-7, IEC 60079-18, IEC 60079-31

Enclosure material

Stainless steel

Enclosure colour

Metal colour

Exposed fastener

Stainless steel

Degree of protection

IP66

Ambient temperature

-60°C(-40°C)~+55°C(+40°C)

Components

1. Technical data of BA8060 control button on P4/36~39
2. Technical data of BD8060 indicator on P4/40~42
3. Technical data of BK8050 control switch on P4/43~48
4. Technical data of BB8050 explosion-proof ammeter/voltmeter on P4/48~51

Cable entries

M□×1.5 plug, please see the Selection table on P4/33

Cable gland (optional)

DQM-III (Ex eb, plastic) is recommended.

Mounting

Surface type

Note

Please specify the number and size of entries (applicable for surface type only)

Selection table (Ex markings and ratings)

Rated operating voltage (V)	Rated operating current (A)	Ex-mark	
		-60°C(-40°C)~+40°C	-60°C(-40°C)~+55°C
Max. 500V AC Max. 220V DC	Max. 16A (only with BK8050)	Ex db eb IIC T6 Gb Ex db eb mb IIC T6 Gb Ex tb IIIC T80°C Db	Ex db eb IIC T6/T5 Gb Ex db eb mb IIC T6/T5 Gb Ex tb IIIC T80°C Db
Max. 440V AC Max. 220V DC	Max. 10A		

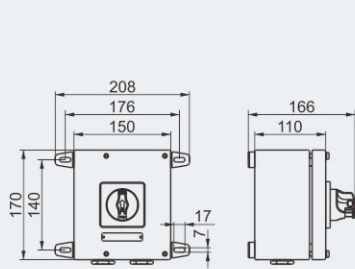
Note: When the ambient temperature is -60°C(-40°C) to +55°C and falls within the T6 temperature class, the maximum configuration is as follows: BZC8050-□-D3, BZC8050-□-A3, BZC8050-□-B1K1, BZC8050-□-A2D2, BZC8050-□-A2B1.

Note: Protection type "mb" depends on the use of certified Ex component, the voltmeter. When the seal strip is made of polyurethane (PU) material, the ambient temperature is -40°C~+40°C (+55°C); when the seal strip is made of silicone rubber, the ambient temperature is -60°C~+40°C(+55°C).

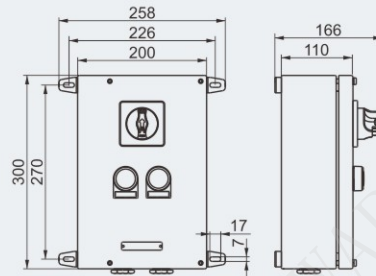


Control Stations BZC8050 Series Control Stations (Stainless Steel)

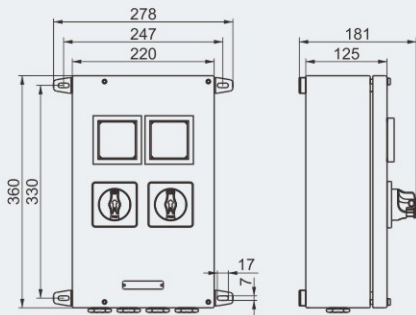
Dimension drawings (all dimensions in mm) - subject to alteration



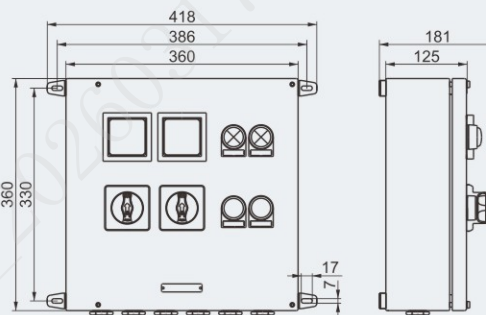
Enclosure I



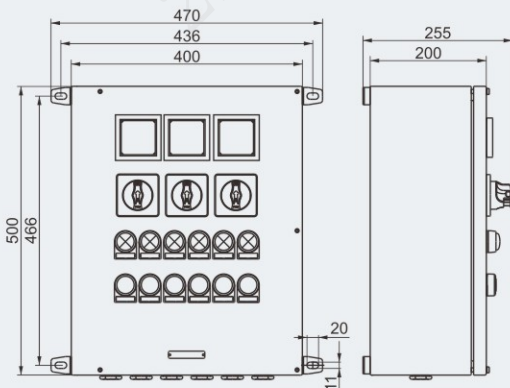
Enclosure II



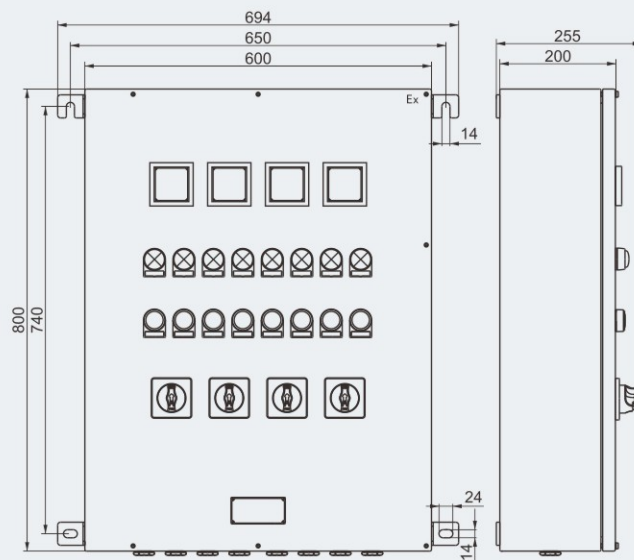
Enclosure III



Enclosure IV



Enclosure V



Enclosure VI

