

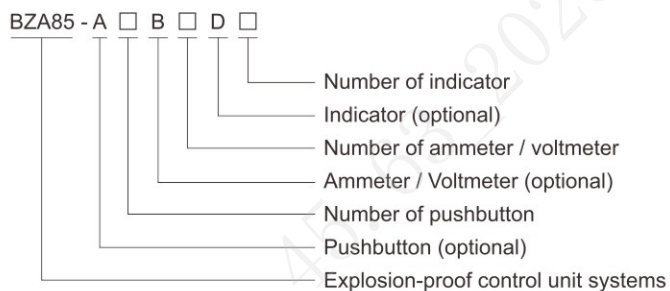
Control Unit Systems

BZA85 Series Explosion-proof Control Unit Systems



- ◆ Explosion protection to
 - CENELEC
 - IEC
 - NEC
- ◆ Can be used in
 - Zone 1 and Zone 2
 - Zone 21 and Zone 22
 - Class I, Zone 1 and Zone 2
 - Class I, Division 1, Groups A, B, C, D
- ◆ Copper-free Aluminium Alloy, powder coated surface.
- ◆ Features excellent dustproof, waterproof, and corrosion-resistant properties, making it adaptable to various harsh working environments.
- ◆ The layout of button, indicator, and other components on the control station is rational and straightforward, ensuring ease of use and quick mastery.

■ Catalogue number logic



■ Note

1. Please refer to the Selection table on P4/21~22.
2. Please select internal components as below:
 - Selection table of HA pushbutton on P4/10~13 (nominal contact is 1NO+1NC);
 - Selection table of HD indicator on P4/14~15;
 - Dimension drawings of ammeter (type 48) and voltmeter (type 48) see P4/23.
3. Example: BZA85-A1
 - Components: One control button;
 - Tech. Details: One start control button (40036B + 40023 + 40024, green, 1NO+1NC).
4. Special requirements on request.

Zones 1&2; 21&22

Control Unit Systems BZA85 Series Explosion-proof Control Unit Systems


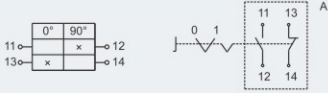
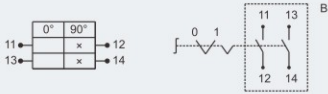

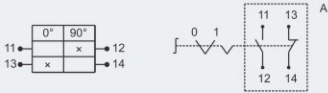
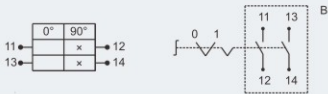
Technical data			
Explosion-proof control unit systems BZA85			
Explosion protection			
Global (IECEX)	IECEX CQM 17.0021X		
Gas and dust	Ex db IIC T6 Gb Ex tb IIIC T80°C Db IP66		
Europe (ATEX)	TÜV CY 18 ATEX 0206093 X		
Gas and dust	II 2 G Ex db IIC T6 Gb II 2 D Ex tb IIIC T80°C Db IP66		
Certificates	IECEX; ATEX		
Conformity to standards	EN 60079-0, EN 60079-1, EN 60079-31 IEC 60079-0, IEC 60079-1, IEC60079-31		
Enclosure material	Copper-free Aluminium Alloy, powder coated surface		
Enclosure colour	Window grey (RAL7040)		
Exposed fastener	Stainless steel		
Rated voltage	Max. 500V AC, 250V DC (600V for voltmeter)		
Rated current	Max. 10A (AC), 6A (DC)		
Degree of protection	IP66		
Ambient temperature	-60°C~+60°C		
Components			
HA pushbutton	Technical data on P4/8~11		
HD indicator	Technical data on P4/12~13		
Ammeter (type 48) / Voltmeter (type 48)	Working mode	Accuracy	Overload times
Ammeter	Electromagnetic type	Class 1.5	5 times (2 or 6 times on request)
Voltmeter	(moving iron)		-
Cable entries	Standard 2×M25×1.5 plugs 2×NPT3/4" plugs on request		
Cable gland (optional)	DQM-II (Ex d) or DQM-III (Ex d) is recommended. Please see P6/24~39.		




Selection table (Pushbutton / Indicator)				
Outline	Colour	Chart of contact	Ordering code	Weight (kg)
Indicator 	Red		40171A	0.65
	Green		40171B	
Spring-return button 	Red		40172A	0.65
	Green		40172B	
Mushroom stay-put emergency pushbutton 	Red		40173	0.7
Mushroom turn-to-release emergency pushbutton 	Red		40174	0.7

Control Unit Systems BZA85 Series Explosion-proof Control Unit Systems

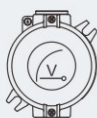
Selection table (Pushbutton)

Outline	Chart of contact	Ordering code	Weight (kg)
Key-operated pushbutton 		40175A	0.7
		40175B	0.7
Rotary button 		40176A	0.7
		40176B	0.7

Selection table (Ammeter)

Version	Description	Overload scale	Measuring range	Ordering code	Weight (kg)
	Direct measuring	-	0~20/40 mA	40177	0.70
			4~20/40 mA	40178	
	Direct measuring	-	0~1 A	40179	
			0~5 A	40180	
	For CT (current transformer)	2 times or 6 times	sec. 1 A	40181	
			sec. 5 A	40182	

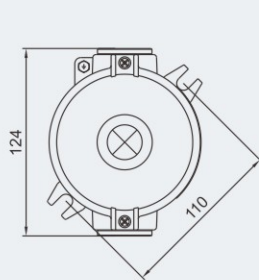
Selection table (Voltmeter)

Version	Description	Measuring range	Ordering code	Weight (kg)
	Direct measuring	0~10 V	40183	0.70
		0~25 V	40184	
		0~40 V	40185	
		0~60 V	40186	
		0~100 V	40187	
		0~150 V	40188	
		0~250 V	40189	
		0~300 V	40190	
		0~450 V	40191	
		0~500 V	40192	
	For PT (potential transformer)	sec. 100 V	40193	
		sec. 110 V	40194	
		sec. 120 V	40195	

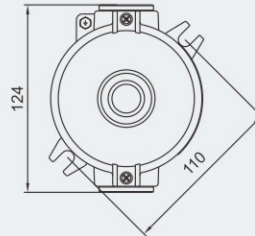
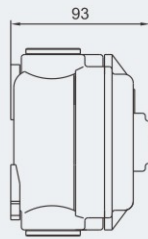


Control Unit Systems BZA85 Series Explosion-proof Control Unit Systems

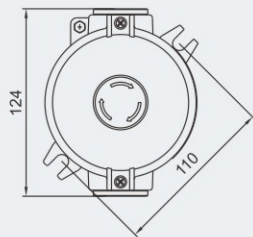
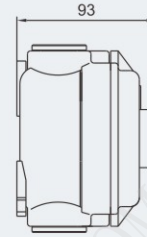
Dimension drawings (all dimensions in mm) - subject to alteration



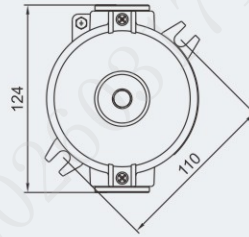
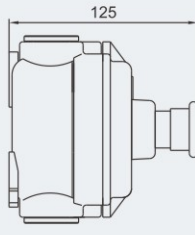
Indicator



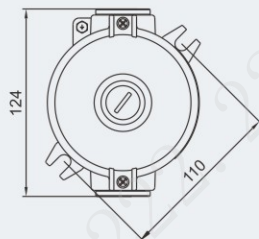
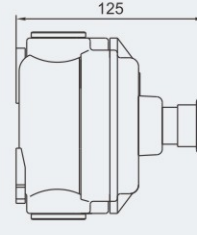
Spring-return button



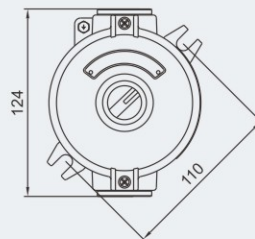
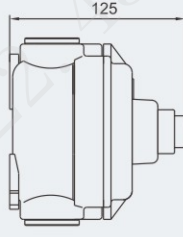
Mushroom turn-to-release
emergency pushbutton



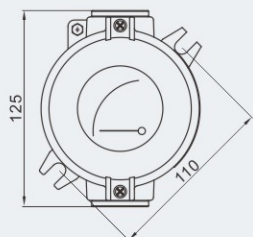
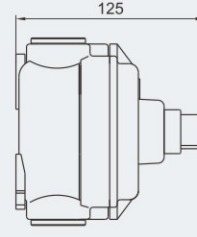
Mushroom stay-put
emergency pushbutton



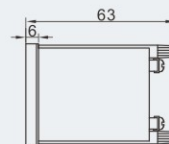
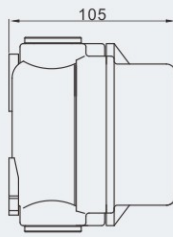
Key-operated pushbutton



Rotary button



Ammeter / Voltmeter



Ammeter (48 type) / Voltmeter (48 type)

