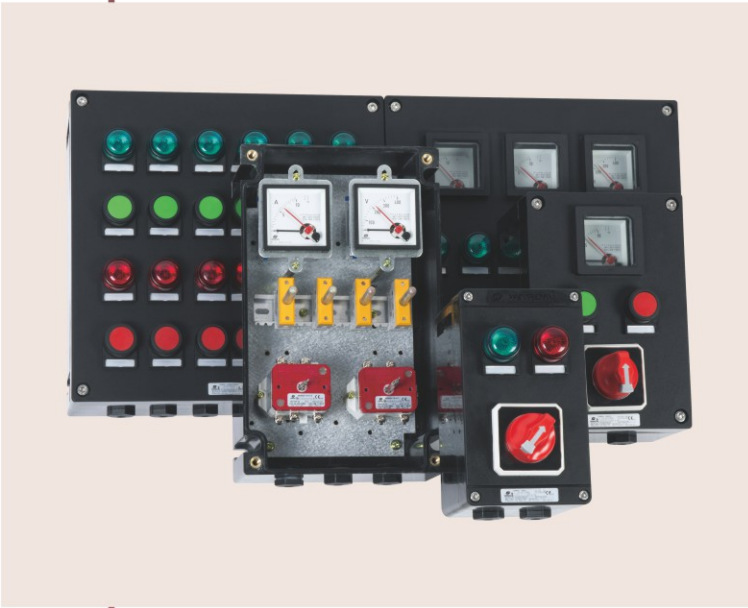


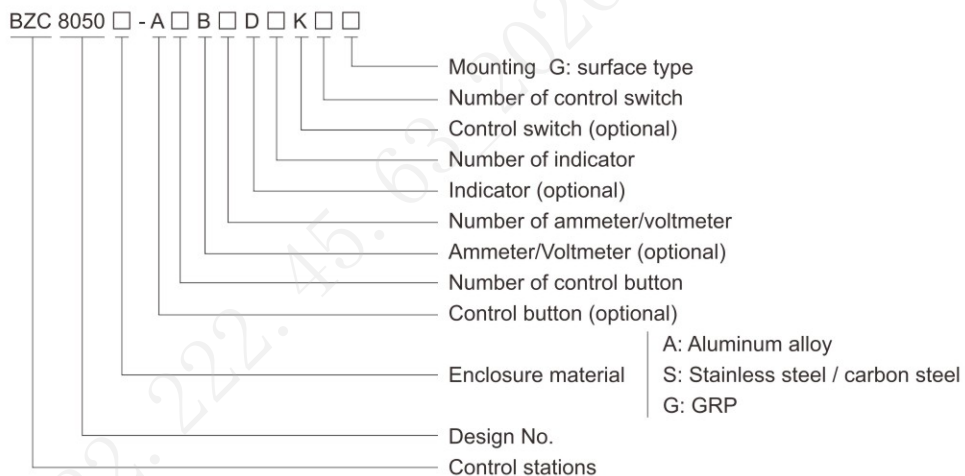
## Control Stations

### BZC8050 Series Control Stations (GRP)



- ◆ Explosion protection to
  - CENELEC
  - IEC
  - NEC
- ◆ Can be used in
  - Zone 1 and Zone 2
  - Zone 21 and Zone 22
  - Class I, Zone 1 and Zone 2
  - Class I, Division 2, Groups A, B, C, D
- ◆ GRP (glass fibre-reinforced polyester resin) enclosure.
- ◆ Four types of enclosure.
- ◆ Features excellent dustproof, waterproof, and corrosion-resistant properties, making it adaptable to various harsh working environments.
- ◆ The layout of buttons, switches, and other components on the control station is rational and straightforward, ensuring ease of use and quick mastery.
- ◆ A range of control methods can be selected based on actual needs, such as manual control, automatic control, or remote control, catering to varying application scenarios.

#### ■ Catalogue number logic



#### ■ Note

1. Please refer to the Selection table on P4/25.
2. Please select internal components as below:
  - Selection table of BA8060 control button on P4/36~39 (nominal contact is 1NO+1NC);
  - Selection table of BD8060 indicator on P4/40~42;
  - Selection table of BK8050 control switch on P4/53~48;
  - Selection table of BB8050 explosion-proof ammeter/voltmeter on P4/49~51;
3. Example: BZC8050-A2D2G
  - Components: Two control buttons, two indicators; surface type
  - Tech. Details: One start control button (40092B+40090-1+40090-2, green, 1NO+1NC);
  - One stop control button (40092A+40090-1+40090-2, red, 1NO+1NC);
  - One indicator (40116B+40100B, green, 230V AC);
  - One indicator (40115B+40099B, red, 230V AC);
4. Special requirements on request.

# Zones 1&2; 21&22



## Control Stations BZC8050 Series Control Stations (GRP)

Selection table of control station BZC8050(GRP)(Without terminal)				
Enclosure type	Components arrangement	Cable entries and direction	Ordering code	Enclosure weight (kg)
I		1-M25×1.5 Bottom entry	40074.....	0.65
II		1-M25×1.5 Bottom entry	40075.....	0.85
III		1-M25×1.5 Bottom entry	40076.....	1.10
IV		2-M25×1.5 Bottom entry	40077.....	1.30
V		1-M32×1.5 or 2-M25×1.5 Bottom entry	40078.....	2.10
VI		1-M32×1.5 or 3-M25×1.5 Bottom entry	40078.....	3.25
VII		1-M32×1.5 or 3-M25×1.5 Bottom entry	40078.....	4.60
VIII		1-M40×1.5 or 2-M32×1.5 or 6-M25×1.5 Bottom entry	40078.....	4.15
IX		1-M40×1.5 or 2-M32×1.5 or 6-M25×1.5 Bottom entry	40078.....	7.30



## Control Stations BZC8050 Series Control Stations (GRP)

### Technical data

#### Control stations BZC8050 (GRP)

##### Explosion protection

Global (IECEX)  
Gas and dust

IECEX CQM 24.0057X  
Ex db eb mb IIC T6/T5 Gb<sup>1)</sup>  
Ex db eb IIC T6/T5 Gb<sup>1)</sup>  
Ex tb IIIC T80°C Db<sup>1)</sup>

Europe (ATEX)  
Gas and dust

TUV CY 25 ATEX 0207269X  
⊕ II 2 G Ex db eb mb IIC T6/T5 Gb<sup>1)</sup>  
⊕ II 2 G Ex db eb IIC T6/T5 Gb<sup>1)</sup>  
⊕ II 2 D Ex tb IIIC T80°C Db<sup>1)</sup>

<sup>1)</sup>See Selection table.

##### Certificates

##### Conformity to standards

IECEX; ATEX; CU-TR  
EN 60079-0, EN 60079-1, EN 60079-7, EN 60079-18, EN 60079-31  
IEC 60079-0, IEC 60079-1, IEC 60079-7, IEC 60079-18, IEC 60079-31  
GRP (glass fibre-reinforced polyester resin)

##### Enclosure material

##### Enclosure colour

##### Exposed fastener

##### Degree of protection

##### Ambient temperature

##### Components

Black

Stainless steel

IP66

-60°C(-40°C)~+55°C(+40°C)

1. Technical data of BA8060 control button on P4/36~39
2. Technical data of BD8060 indicator on P4/40~42
3. Technical data of BK8050 control switch on P4/43~48
4. Technical data of BB8050 explosion-proof ammeter/voltmeter on P4/49~51

##### Cable entries

##### Cable gland (optional)

##### Mounting

##### Note

M□×1.5 plug, please see the Selection table on P4/25

DQM-I/I (Ex eb, plastic) is recommended.

Surface type

Please specify the number and size of entries (applicable for surface type only)

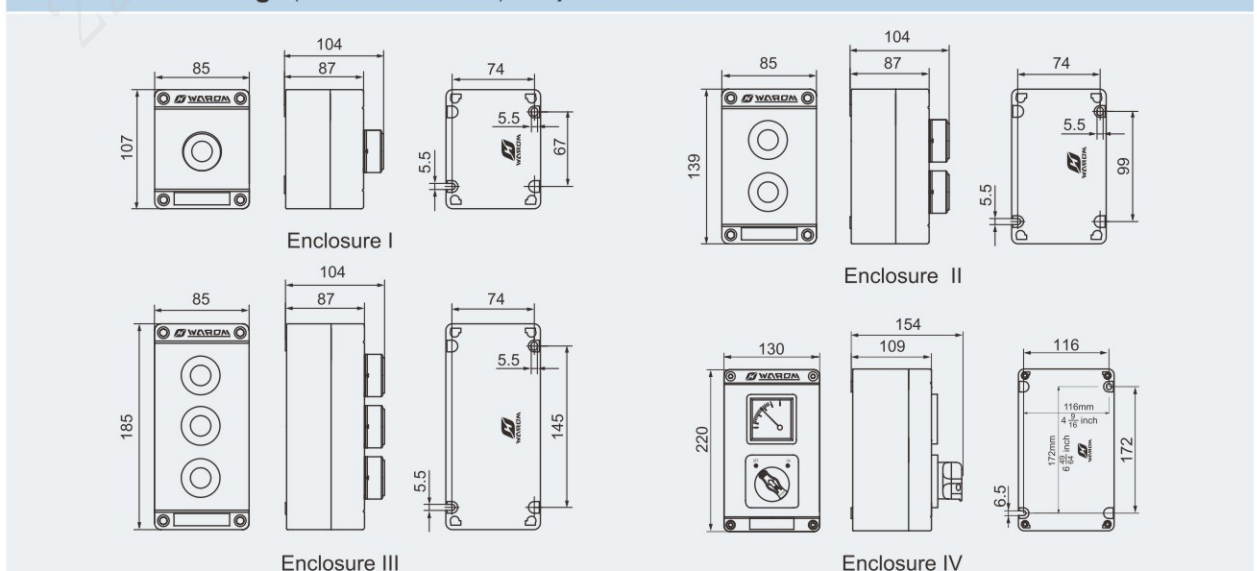
### Selection table (Ex markings and ratings)

Rated operating voltage (V)	Rated operating current (A)	Ex-mark	
		-60°C(-40°C)~+40°C	-60°C(-40°C)~+55°C
Max. 500V AC Max. 220V DC	Max. 16A (only with BK8050)	Ex db eb IIC T6 Gb Ex db eb mb IIC T6 Gb	Ex db eb IIC T6/T5 Gb Ex db eb mb IIC T6/T5 Gb
Max. 440V AC Max. 220V DC	Max. 10A	Ex tb IIIC T80°C Db	Ex tb IIIC T80°C Db

Note: When the ambient temperature is -60°C(-40°C) to +55°C and falls within the T6 temperature class, the maximum configuration is as follows: BZC8050-□-D3, BZC8050-□-A3, BZC8050-□-B1K1, BZC8050-□-A2D2, BZC8050-□-A2B1.

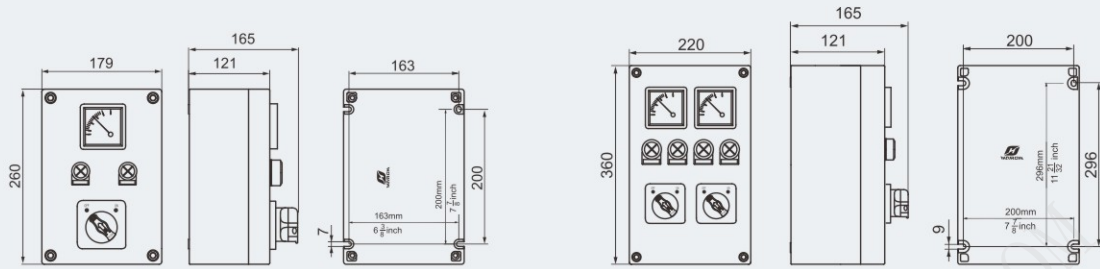
Note: Protection type "mb" depends on the use of certified Ex component, the voltmeter. When the seal strip is made of polyurethane (PU) material, the ambient temperature is -40°C~+40°C (+55°C); when the seal strip is made of silicone rubber, the ambient temperature is -60°C~+40°C(+55°C).

### Dimension drawings (all dimensions in mm) - subject to alteration



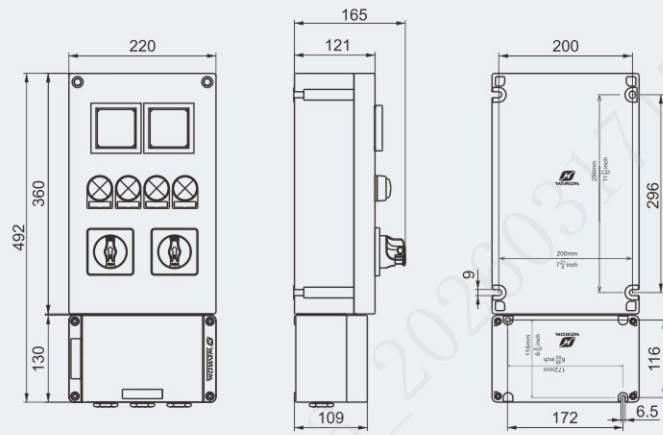
## Control Stations BZC8050 Series Control Stations (GRP)

Dimension drawings (all dimensions in mm) - subject to alteration

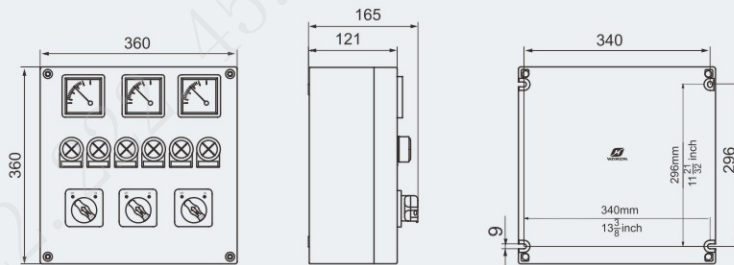


Enclosure V

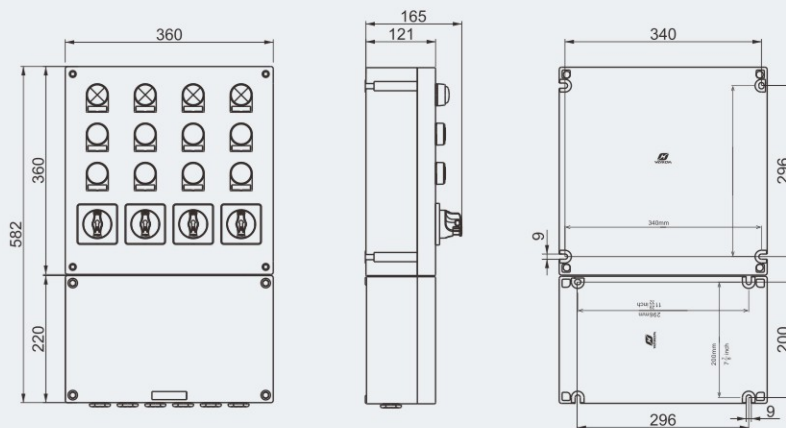
Enclosure VI



Enclosure VII



Enclosure VIII



Enclosure IX

