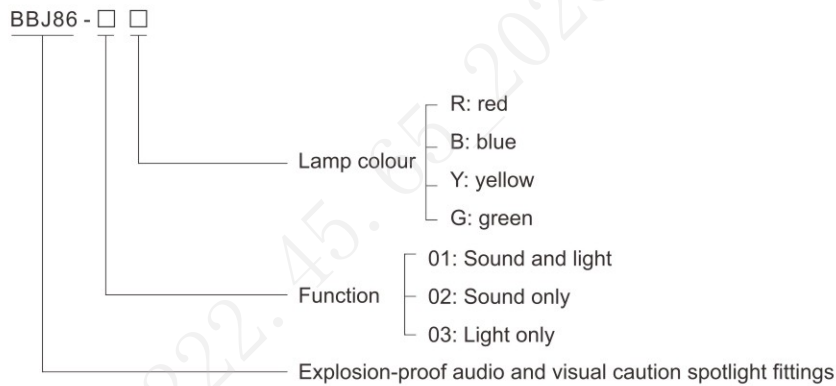


Local, Caution Spotlight Fittings BBJ86 Series Explosion-proof Audio and Visual Caution Spotlight Fittings



- ◆ Explosion protection to
 - CENELEC
 - IEC
 - NEC
- ◆ Can be used in
 - Zone 1 and Zone 2
 - Zone 21 and Zone 22
 - Class I, Zone 1 and Zone 2
 - Class I, Division 1, Groups A, B, C, D
- ◆ Ultra-bright LED lamp, low power consumption and long service life.
- ◆ Lamp colours: red, blue, yellow, green.
- ◆ Enclosure in Copper-free Aluminium Alloy, powder coated surface, yellow (RAL1021).

Catalogue number logic



Selection table

Type/ Ordering code	Rated power (W)	Weight (kg)	Type/ Ordering code	Rated power (W)	Weight (kg)	Type/ Ordering code	Rated power (W)	Weight (kg)
BBJ86-01R	45W	4.70	BBJ86-02	35W	3.20	BBJ86-03R	10W	3.45
BBJ86-01B	45W	4.70				BBJ86-03B	10W	3.45
BBJ86-01Y	45W	4.70				BBJ86-03Y	10W	3.45
BBJ86-01G	45W	4.70				BBJ86-03G	10W	3.45

Zones 1&2; 21&22

Local, Caution Spotlight Fittings

BBJ86 Series Explosion-proof Audio and Visual Caution Spotlight Fittings

Technical data

Explosion-proof audio and visual caution spotlight fittings BBJ86-□□

Explosion protection

Global (IECEX)	IECEX PCET 24.0028X
Gas and dust	Ex db IIC T6 Gb Ex tb IIIC T80°C Db
Europe (ATEX)	TÜV CY 25 ATEX 0207363X
Gas and dust	⊕ II 2 G Ex db IIC T6 Gb ⊕ II 2 D Ex tb IIIC T80°C Db

Certificates

Conformity to standards

IECEX; ATEX
EN 60079-0, EN 60079-1, EN 60079-31
IEC 60079-0, IEC 60079-1, IEC 60079-31

Material

Enclosure	Copper-free Aluminium Alloy, powder coated surface, yellow (RAL1021)
Transparent cover	Toughened glass, stands 4J impact
Exposed fastener	Stainless steel

Rated voltage

100~277V AC 50/60Hz; 130~250V DC; 24V AC/DC

Lamp

Lamp specification	LED
Lamp power (W)	45W, 35W, 10W
Lamp colour	Red, blue, yellow, green

Flash frequency

150~160 (times/min)

Sound intensity

110~120dB (R=1m)

Earthing protection

M5 (internal & external earth bolts)

Degree of protection

IP66

Ambient temperature

-60°C~+60°C

Terminal

3×1.5~2.5mm² (L+N+PE)

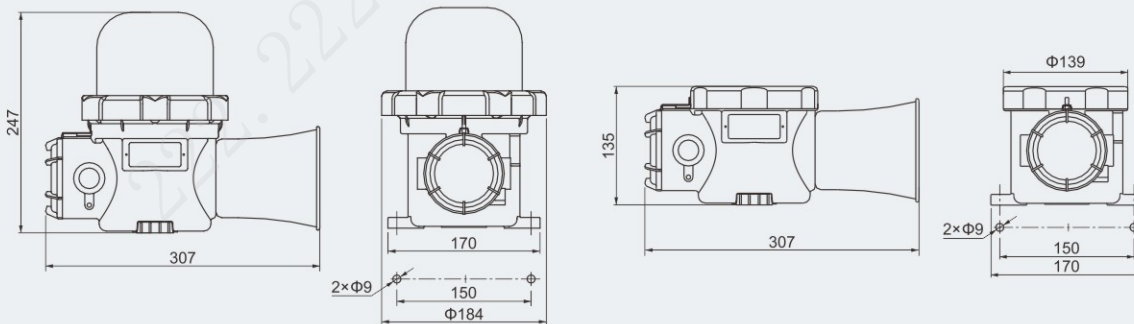
Cable entries

2×M25×1.5 plugs

Cable gland (optional)

DQM-II (Ex d) or DQM-III (Ex d) is recommended. Please see P6/24~39.

Dimension drawings (all dimensions in mm) - subject to alteration



BBJ86-01□ Sound and Light

BBJ86-02□ Sound only

BBJ86-03□ Light only

