

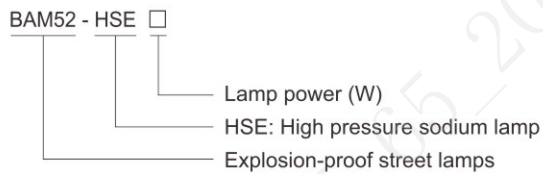
## Street Lamps

### BAM52 Series Explosion-proof Street Lamps



- ◆ Explosion protection to
  - CENELEC
  - IEC
  - NEC
- ◆ Can be used in
  - Zone 2
  - Zone 21 and Zone 22
- ◆ Please refer to mounting schematic diagram to select right lamp and mounting types on request of job site.
- ◆ Please refer to this catalogue for detailed technical data and ordering information of each light fitting.
- ◆ The street lamp is supplied without pole; please specify when ordering.

#### Catalogue number logic



#### Selection table

Type / Ordering code	Rated voltage	Lamp power(W)	Weight (kg)
BAM52-HSE250	415V AC 50Hz	250	13.40
BAM52-HSE400		400	14.20
BAM52-HSE150	220~240V AC 50Hz	150	9.00
BAM52-HSE250		250	9.50
BAM52-HSE400		400	11.30
BAM52-HSE150	220~240V AC 60Hz	150	9.00
BAM52-HSE250		250	9.50
BAM52-HSE400		400	11.30

**Note:** The product is supplied according to "Type/Ordering code" in the table with mounting accessories.

## Zones 2; 21&22

## Street Lamps BAM52 Series Explosion-proof LED Street Lamps

### Technical data

#### Explosion-proof LED street lamps BAM52-HSE□

##### Explosion protection

Global (IECEX)	IECEX CQM 22.0024X
Gas and dust	Ex nR IIC T□ <sup>1)</sup> Gc Ex tb IIIC T□ <sup>1)</sup> Db
Europe (ATEX)	TÜV CY 23 ATEX 0206765X
Gas and dust	⊕ Ex II 3 G Ex nR IIC T□ <sup>1)</sup> Gc ⊕ Ex II 2 D Ex tb IIIC T□ <sup>1)</sup> Db

##### Certificates

##### Conformity to standards

IECEX; ATEX  
EN 60079-0, EN 60079-15, EN 60079-31  
IEC 60079-0, IEC 60079-15, IEC 60079-31

##### Material

Enclosure	Aluminium Alloy, powder coated surface
Glass cover	Toughened glass, stands 4J impact
Ballast	Electromagnetic ballast, rapid starting, stable performance
Internal reflector	High-purity aluminium
Trigger	Explosion-proof electronic trigger
Power factor	COSΦ ≥0.90 (compensated)
Exposed fastener	Stainless steel

##### Lamp

Lamp holder	E40
Lamp specification	High pressure sodium lamp (HSE)
Lamp power (W)	150W, 250W, 400W

##### Rated voltage

220~240V AC 50Hz, 220~240V AC 60Hz, 415V AC 50Hz

##### Degree of protection

IP66

##### Ambient temperature

-40°C~+55°C(+40°C)

##### Terminal

3×1.5~4mm<sup>2</sup> (L+N+PE)

##### Mounting

street lamp type

##### Cable entries

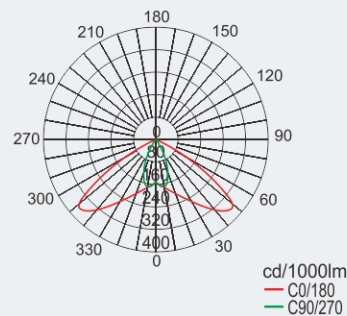
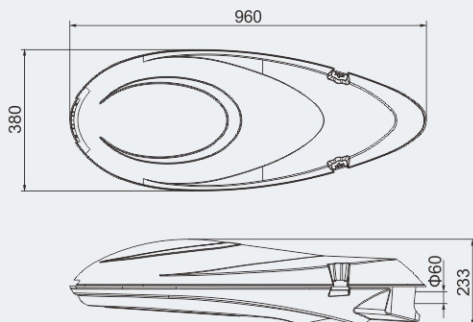
1×M20×1.5 cable gland (DQM-I Ex eb, metal unarmored)



### Selection table

Rated voltage	Rated power(W)	Temperature classification			
		-40°C≤Ta≤+40°C		-40°C≤Ta≤+55°C	
415V AC 50Hz	250, 400	T3	T190°C	T3	T190°C
220~240V AC 50Hz	150, 400	T4	T130°C	T3	T190°C
	250	T3	T133°C	T3	T190°C
220~240V AC 60Hz	150, 250, 400	T4	T130°C	T4	T130°C

### Dimension drawings (all dimensions in mm) - subject to alteration



We can provide lighting design and data by professional lighting software DIALUX based upon simulated site situation on request