

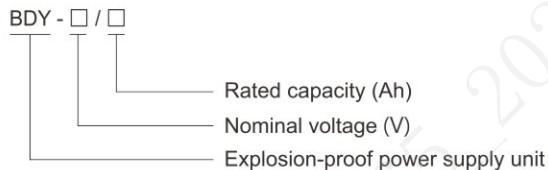
Solar Lightings

BDY Series Explosion-proof Power Supply Unit



- ◆ Explosion protection to
 - CENELEC
 - IEC
 - NEC
- ◆ Can be used in
 - Zone 1 and Zone 2
 - Class I, Zone 1 and Zone 2
 - Class I, Division 2, Groups A, B, C, D
- ◆ The enclosure is precision-manufactured from high-quality stainless steel (304/316L), offering excellent corrosion resistance.
- ◆ Equipped with an explosion-proof vent valve to promptly expel hydrogen gas generated by the battery, preventing hydrogen concentration from reaching explosive limits.
- ◆ Internally features valve-regulated sealed lead-acid batteries and enhanced safety terminal connectors.

Catalogue number logic



Selection table

Type / Ordering code	Nominal voltage (V)	Rated capacity (Ah)	Enclosure type	Weight (kg)	Type / Ordering code	Nominal voltage (V)	Rated capacity (Ah)	Enclosure type	Weight (kg)	
BDY-12/20	DC12V	20	Type I	23.5	BDY-24/20	DC24V	20	Type I	29.5	
BDY-12/24		24		24.5	BDY-24/24		24		Type II	38.0
BDY-12/26		26		25.5	BDY-24/26		26			39.5
BDY-12/28		28		25.5	BDY-24/28		28			39.6
BDY-12/33		33		28.0	BDY-24/33		33			45.0
BDY-12/40		40		29.5	BDY-24/40		40			48.0
BDY-12/55		55		33.0	BDY-24/55		55			55.0
BDY-12/65		65	44.0	BDY-24/65	65		65.0			
BDY-12/80		80	46.0	BDY-24/80	80		69.0			
BDY-12/90		90	50.0	BDY-24/90	90		77.0			
BDY-12/100		100	54.0	BDY-24/100	100		85.0			
BDY-12/120		120	64.0	BDY-24/120	120		105.0			
BDY-12/135		135	64.0	BDY-24/135	135		105.0			
BDY-12/150		150	67.0	BDY-24/150	150		111.0			
BDY-12/180		180	101.0	BDY-24/180	180		154.0			
BDY-12/200		200	108.0	BDY-24/200	200		Type III	168.0		
BDY-12/230	230	111.0	BDY-24/230	230	176.0					
BDY-12/250	250	113.0	BDY-24/250	250	178.0					

Note: The product is supplied according to "Type/Ordering code" in the table with mounting accessories.

Zones 1&2



Solar Lightings BDY Series Explosion-proof Power Supply Unit

Technical data

Explosion-proof Power Supply Unit BDY-□/□

Explosion protection

Global (IECEX)	IECEX (applied for)
Gas	Ex eb IIC T5 Gb
Europe (ATEX)	ATEX (applied for)
Gas	⊕ II 2 G Ex eb IIC T5 Gb

Certificates

IECEX; ATEX

Conformity to standards

EN 60079-0, EN 60079-7, IEC 60079-0, IEC 60079-7

Material

Enclosure	Stainless steel
Exposed fastener	Stainless steel

Rated capacity (Ah)

DC 12V, DC 24V

Nominal voltage (V)

20Ah, 24Ah, 26Ah, 28Ah, 33Ah, 40Ah, 55Ah, 65Ah, 80Ah, 90Ah, 100Ah, 120Ah, 135Ah, 150Ah, 180Ah, 200Ah, 230Ah, 250Ah

Degree of protection

IP54

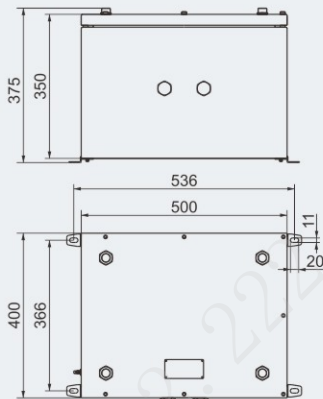
Ambient temperature

-20°C~+55°C

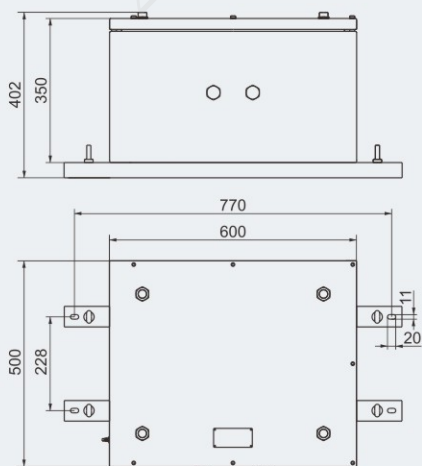
Internal & external earthing

M5/M8

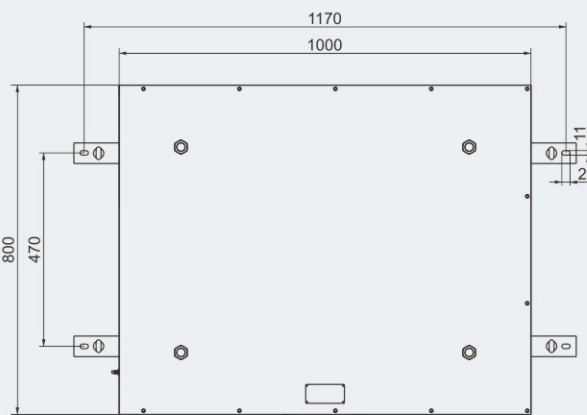
Dimension drawings (all dimensions in mm) - subject to alteration



Type I



Type II



Type III

