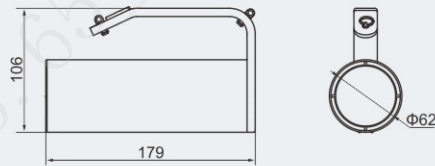




- ◆ Explosion protection to
 - CENELEC
 - IEC
 - NEC
- ◆ Can be used in
 - Zone 1 and Zone 2
 - Zone 21 and Zone 22
 - Class I, Zone 1 and Zone 2
 - Class I, Division 1, Groups A, B, C, D
 - Class I, Division 2, Groups A, B, C, D

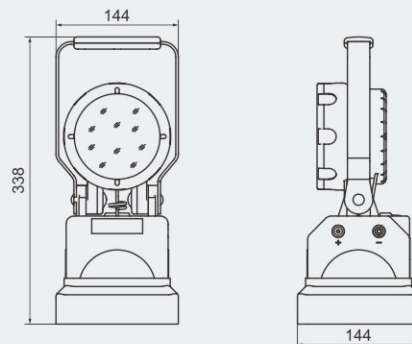
Dimension drawings (all dimensions in mm) - subject to alteration

HRD305 Portable Searchlight
LED: 9W/3W



Dimension drawings (all dimensions in mm) - subject to alteration

HRD309E Searchlight
LED: 9W/3W

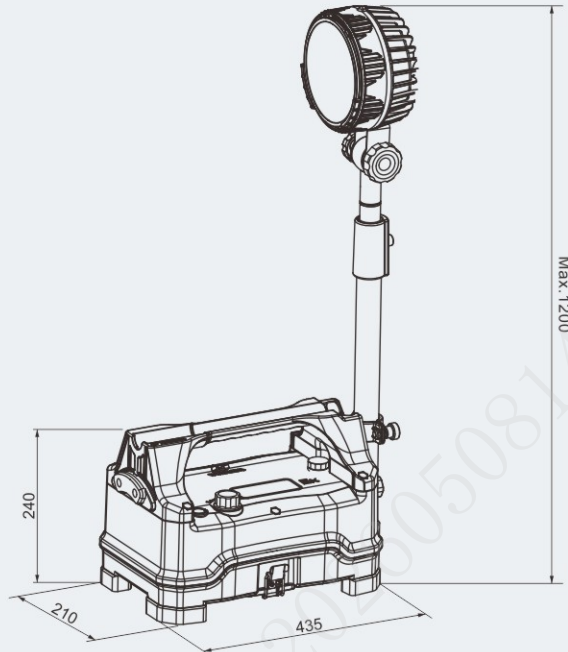


Zones 1&2; 21&22

Hand Lamps

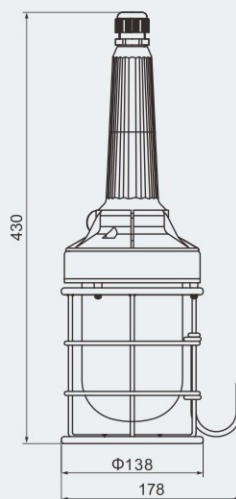
Dimension drawings (all dimensions in mm) - subject to alteration

HRD503 Explosion-proof Maintenance Lamp
LED: 50W/25W



Dimension drawings (all dimensions in mm) - subject to alteration

BSX-60 Series Explosion-proof Incandescent Hand Lamps
LED: 3W/5W/8W
Incandescent lamp: 25W/40W/60W



Hand Lamps

HRD305 Portable Searchlight



- ◆ Explosion protection to
 - CENELEC
 - IEC
 - NEC
- ◆ Can be used in
 - Zone 1 and Zone 2
 - Zone 21 and Zone 22
 - Class I, Zone 1 and Zone 2
 - Class I, Division 1, Groups A, B, C, D
- ◆ Safe and reliable: the product with reliable explosion-proof performance, can safely and reliably work in various combustible areas, the battery is equipped with PTC thermistor and temperature fuse; double-protected circuit, safety performance enhanced.
- ◆ Efficient and energy-saving: memory-free battery, with long service life, low auto-discharge rate, economic and environmental friendly, solid efficient LED lamp, low energy consumption and long service life.
- ◆ Waterproof and damage-proof: the enclosure is made of imported alloy with high strength, excellent strong impact resistant performance, unique sealing type, with excellent water-proof performance.

- ◆ Anti-strong interference: scientific module driving circuit, strong performance of anti-shock and anti-electromagnetic interference.
- ◆ Heat resistant: LED radiator and battery are effectively isolated, which improves the stability of the light.
- ◆ Intelligent control: pulse dimming technology, strong light and working light can be changed freely, with battery detection indicator, which can detect the working condition at any time, intelligent charger is with protection circuit.
- ◆ Portable and flexible: small volume, light weight, several types of handling like with hands or on shoulder, meeting different working requirement.

Technical data

Portable Searchlight HRD305

Explosion protection	
Global (IECEX)	IECEX CQM 13.0026X
Gas and dust	Ex d ia IIC T6 Gb Ex tb IIIC T80°C Db IP68
Europe (ATEX)	LCIE 13 ATEX 3089X
Gas and dust	⊕ II 2 G Ex d ia IIC T6 Gb ⊕ II 2 D Ex tb IIIC T80°C Db IP68
Certificates	IECEX; ATEX
Conformity to standards	EN 60079-0, EN 60079-1, EN 60079-11, EN 60079-31 IEC 60079-0, IEC 60079-1, IEC 60079-11, IEC 60079-31
Rated voltage	14.8V
Rated capacity	2Ah
Lamp(LED)	
Rated power	9W / 3W
Current of strong light	900mA
Continuous working time	
Strong light	≥8h
Working light	≥16h
Charging time	≥8h
Charging voltage	100~240V AC, 50/60Hz
Service life of battery	about 1000 times cycling
Degree of protection	IP68
Weight	790g

Zones 1&2; 21&22

