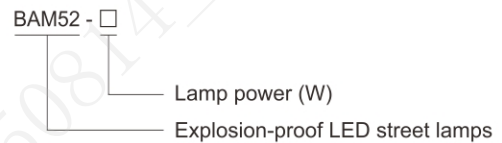


## Street Lamps BAM52 Series Explosion-proof LED Street Lamps

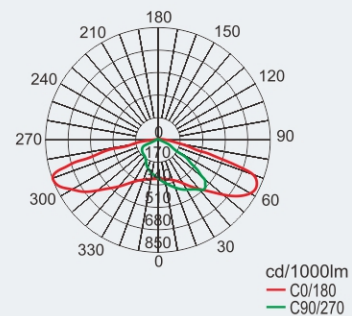
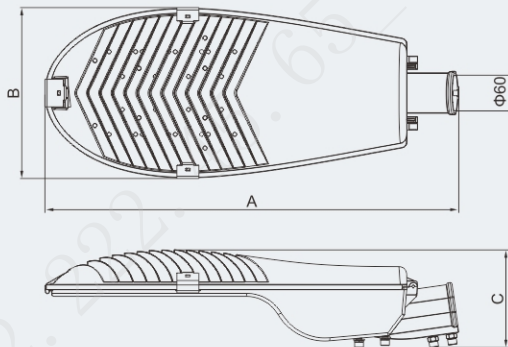


- ◆ Explosion protection to
  - CENELEC
  - IEC
  - NEC
- ◆ Can be used in
  - Zone 2
  - Zone 21 and Zone 22
- ◆ Please refer to mounting schematic diagram to select right lamp and mounting types on request of job site.
- ◆ Please refer to this catalogue for detailed technical data and ordering information of each light fitting.
- ◆ The street lamp is supplied without pole; please specify when ordering.

### Catalogue number logic



### Dimension drawings (all dimensions in mm) - subject to alteration



Type/Ordering code	Size(mm)			Weight (kg)	Rated luminous flux
	A	B	C		
BAM52-60	655	268	150	4.7	9636lm
BAM52-80					13113lm
BAM52-100	752	310	178	7.4	16632lm
BAM52-120					20139lm
BAM52-150	863	359	199	10.7	24916lm
BAM52-160					26588lm
BAM52-180				29921lm	
BAM52-200				32614lm	

We can provide lighting design and data by professional lighting software DIALUX based upon simulated site situation on request

## Zones 2; 21&22

## Street Lamps

### BAM52 Series Explosion-proof LED Street Lamps

#### Technical data

#### Explosion-proof LED street lamps BAM52-□

##### Explosion protection

Global (IECEX)	IECEX CNEX 23.0002X
Gas and dust	Ex nR IIC T6...T5 Gc Ex tb IIIC T80°C...T95°C Db
Europe (ATEX)	CNEX 23 ATEX 0004 X (gas); CNEX 23 ATEX 0005 X(dust)
Gas and dust	⊕ II 3 G Ex nR IIC T6...T5 Gc ⊕ II 2 D Ex tb IIIC T80°C...T95°C Db

##### Certificates

IECEX; ATEX

##### Conformity to standards

EN 60079-0, EN 60079-15, EN 60079-31  
IEC 60079-0, IEC 60079-15, IEC 60079-31

##### Material

Enclosure	Aluminium Alloy, powder coated surface
Glass cover	Toughened glass, stands 4J impact
LED driver	Wide voltage input, CC-CV (constant current - constant voltage) output, power factor $\geq 0.95$ , with function of distributed current, constant current, surge-proof and anti-electromagnetic interference, and protection against overcurrent, open circuit, and short circuit
Exposed fastener	Stainless steel

##### Lamp

Lamp specification	LED module, Multiple LED
Lamp power (W)	60W, 80W, 100W, 120W, 150W, 160W, 180W, 200W
Colour Temperature (CCT)	Cool white: 5700K Note: cool white is available in general. Warm white or nature white is optional, please specify when ordering.

##### Rated voltage

100~277V AC 50/60Hz, 130~250V DC

##### Degree of protection

IP66

##### Ambient temperature

-40°C~+55°C(+45°C)

##### Terminal

3×1.5~4mm<sup>2</sup> (L+N+PE)

##### Mounting

street lamp type

##### Cable entries

1×M20×1.5 cable gland (DQM-I Ex eb, metal unarmored)

#### Selection table for BAM52-□

Type of production	Rated power	Ambient temperature / temperature classification			
		Ta $\leq$ +45°C		Ta $\leq$ +55°C	
BAM52-60	60W	--	--	T6	T80°C
BAM52-80	80W				
BAM52-100	100W				
BAM52-120	120W				
BAM52-150	150W	T6	T80°C	T5	T95°C
BAM52-160	160W				
BAM52-180	180W				
BAM52-200	200W				

