

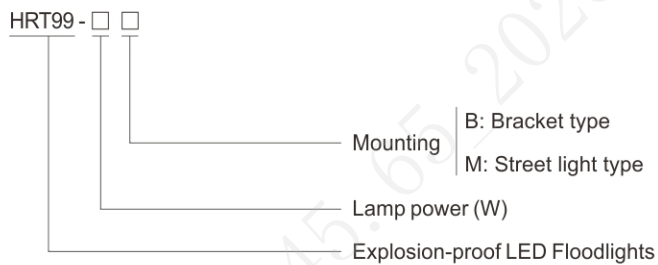
LED Light Fittings

HRT99 Series Explosion-proof LED Floodlights



- ◆ Explosion protection to
 - CENELEC
 - IEC
 - NEC
- ◆ Can be used in
 - Zone 1 and Zone 2
 - Zone 21 and Zone 22
 - Class I, Zone 1 and Zone 2
 - Class I, Division 2, Groups A, B, C, D
- ◆ Applicable lamp and power (max.240W)
LED: 80W, 100W, 120W, 160W, 200W, 240W
- ◆ International brand white light LED, reasonable arrangement of multi LED, high lighting efficiency and long service life.
- ◆ Low-maintenance due to long service life, which is up to 100,000 operating hours.

Catalogue number logic



Selection table

Type/Ordering code	Lamp power (W)	Weight (kg)	Type/Ordering code	Lamp power (W)	Weight (kg)
HRT99-80	80	3.90	HRT99-160	160	7.60
HRT99-100	100	3.90	HRT99-200	200	7.60
HRT99-120	120	3.90	HRT99-240	240	7.60

Zones 1&2; 21&22

LED Light Fittings

HRT99 Series Explosion-proof LED Floodlights

Technical data

Explosion-proof LED floodlights HRT99-□

Explosion protection

Global (IECEX)	IECEX (applied for)
Gas and dust	Ex db eb IIC T6/T5 Gb Ex tb IIIC T80°C/T95°C Db
Europe (ATEX)	ATEX (applied for)
Gas and dust	⊕ II 2 G Ex db eb IIC T6/T5 Gb ⊕ II 2 D Ex tb IIIC T80°C/T95°C Db

Certificates

IECEX; ATEX

Conformity to standards

EN 60079-0, EN 60079-1, EN 60079-7, EN 60079-31
IEC 60079-0, IEC 60079-1, IEC 60079-7, IEC 60079-31

Material

Enclosure	Copper-free Aluminium Alloy, powder coated surface,
Glass cover	Toughened glass, stands 4J impact
LED driver	Wide voltage input, CC-CV (constant current - constant voltage) output, power factor ≥ 0.95 , with function of distributed current, constant current, surge-proof and anti-electromagnetic interference, and protection against overcurrent, open circuit, and short circuit.
Exposed fastener	Stainless steel

Lamp

Lamp specification	LED module, Multiple LED
Lamp power (W)	80W, 100W, 120W, 160W, 200W, 240W
Colour rendering index (Ra)	≥ 80
Colour temperature (CCT)	5700K

Note: nature white is available in general. Warm white is optional, please specify when ordering.

Rated voltage

220~240V AC 50/60Hz
24~48V DC (80W, 100W, 120W)

Degree of protection

IP66

Ambient temperature

T6/T80°C for t_{amb} : $-40^{\circ}\text{C} \sim +40^{\circ}\text{C}$
T5/T95°C for t_{amb} : $-40^{\circ}\text{C} \sim +60^{\circ}\text{C}$

Terminal

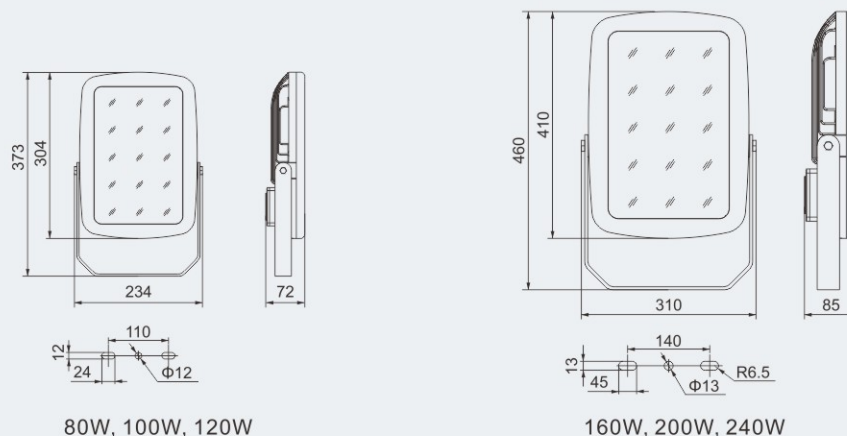
3 \times 1.5~6mm² (L+N+PE)

Cable entries

1 \times M20 \times 1.5 cable gland (DQM-I Ex eb)(M25 \times 1.5 is optional)



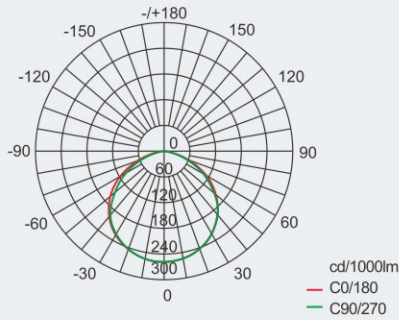
Dimension drawings (all dimensions in mm) - subject to alteration



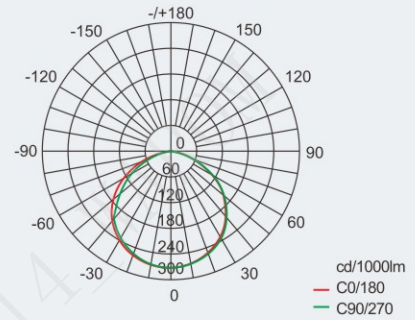
LED Light Fittings HRT99 Series Explosion-proof LED Floodlights

Photometric data Note: Standard products with 60° lens, 30° lens which is optional, please indicate when placing an order.

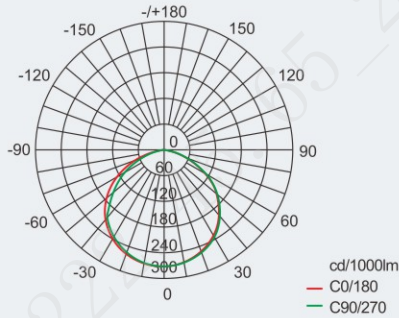
Lamp power (W)	Luminous flux	Wattage
80W	9100lm	76W



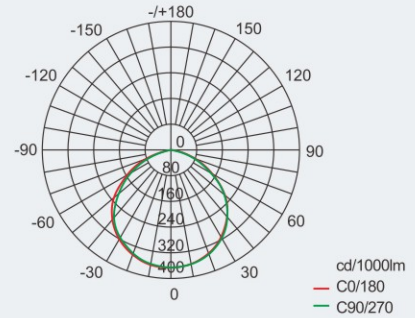
Lamp power (W)	Luminous flux	Wattage
100W	12000lm	105W



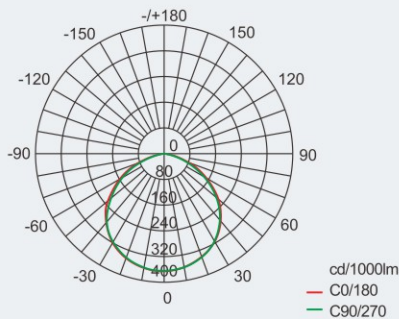
Lamp power (W)	Luminous flux	Wattage
120W	13300lm	115W



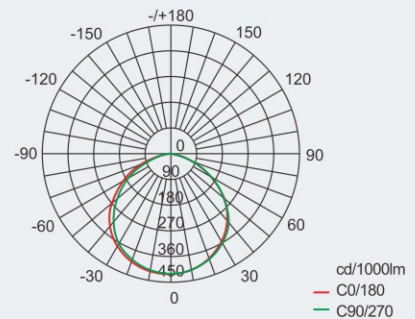
Lamp power (W)	Luminous flux	Wattage
160W	18000lm	155W



Lamp power (W)	Luminous flux	Wattage
200W	23000lm	200W



Lamp power (W)	Luminous flux	Wattage
240W	26500lm	238W

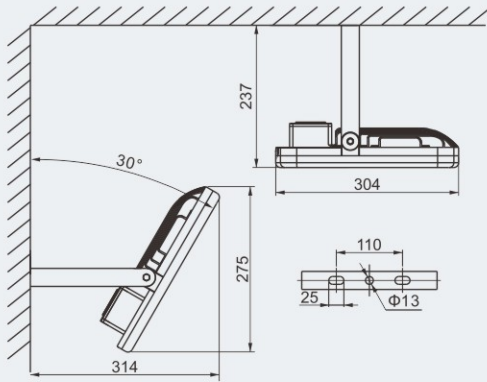


We can provide lighting design and data by professional lighting software DIALUX based upon simulated site situation on request.

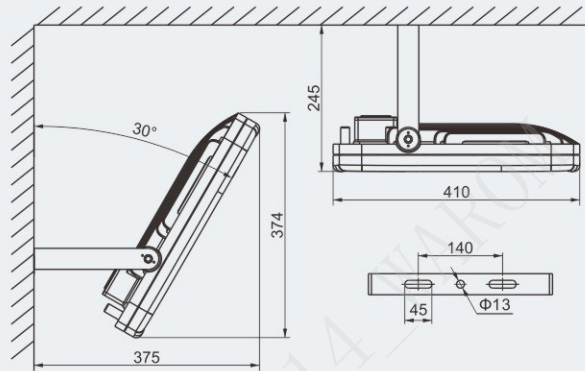
LED Light Fittings HRT99 Series Explosion-proof LED Floodlights

Mounting type (all dimensions in mm) – subject to alteration

B: Bracket type

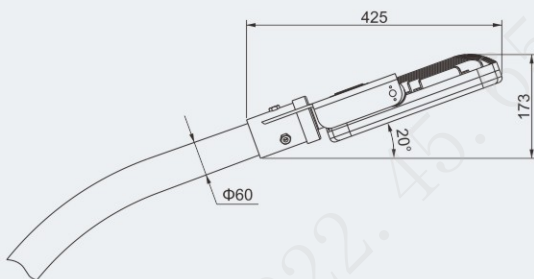


Type I (80W,100W,120W)

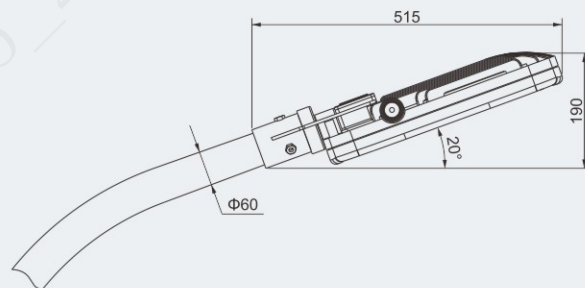


Type II (160W,200W,240W)

M: Street light type



Type I (80W,100W,120W)



Type II (160W,200W,240W)

