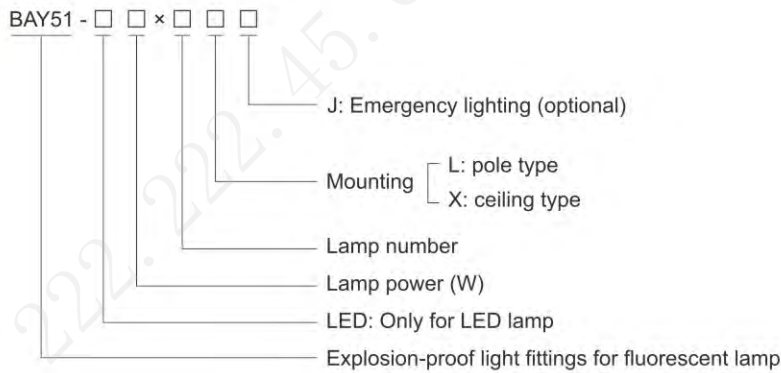


Light Fittings for Fluorescent Lamp BAY51 Series Explosion-proof Light Fittings for Fluorescent Lamp



- ◆ Explosion protection to
 - CENELEC
 - IEC
 - NEC
- ◆ Can be used in
 - Zone 1 and Zone 2
 - Zone 21 and Zone 22
 - Class I, Zone 1 and Zone 2
 - Class I, Division 1, Groups A, B, C, D
- ◆ Single or dual lamp versions
- ◆ Available lamp and power
 - Fluorescent lamps: 18W×1, 36W×1, 58W×1, 18W×2, 36W×2, 58W×2.
 - LED lamps: 9W×1, 18W×1, 28W×1, 9W×2, 18W×2, 28W×2.
- ◆ The glass tube stands 4J impact.
- ◆ Enclosure in Copper-free Aluminium Alloy, powder coated surface, yellow (RAL1021).
- ◆ Built-in electronic ballast, wide voltage input, rapid starting, stable performance, power factor ≥0.95.
- ◆ Built-in LED driver, wide voltage input, CC-CV (constant current - constant voltage) output, power factor ≥0.95.
- ◆ End of lamp life (EOL) rectification effect protection.

■ Catalogue number logic



Zones 1&2; 21&22

Light Fittings for Fluorescent Lamp

BAY51 Series Explosion-proof Light Fittings for Fluorescent Lamp

Technical data

Explosion-proof light fittings for fluorescent lamp BAY51-□×□□

Explosion protection

| | |
|----------------|--|
| Global (IECEX) | IECEX CQM 12.0042X |
| Gas and dust | Ex d IIC T6 Gb Ex t IIIC T80°C Db IP66 |
| Europe (ATEX) | LCIE 09 ATEX 3046 |
| Gas | ⊕ II 2 G Ex d IIC T6 Gb ⊕ II 2 D Ex tb IIIC T80°C Db IP66 |

Certificates

IECEX; ATEX; CU-TR

Conformity to standards

EN 60079-0, EN 60079-1, EN 60079-31
IEC 60079-0, IEC 60079-1, IEC 60079-31

Material

| | |
|-----------------------|--|
| Enclosure | Copper-free Aluminium Alloy, powder coated surface, yellow (RAL1021) |
| Glass tube | Toughened glass, stands 4J impact |
| Ballast | Electronic ballast |
| Wire guard (optional) | Powder coated carbon steel (white) or stainless steel |
| External reflector | Powder coated pure aluminium |
| Exposed fastener | Stainless steel |

Lamp

| | |
|--------------------|--|
| Lamp specification | T8 tube (supplied with the light fittings) |
| Lamp power (W) | 18W×1 18W×2 36W×1 36W×2 58W×1 58W×2 |

Rated voltage

100~300V AC 50/60Hz

Earthing protection

M5 (internal & external earth bolts)

Degree of protection

IP66

Ambient temperature

-20°C~+55°C

Terminal

3×1.5~4mm² (L+N+PE)

Cable entries

| | |
|-------------|-----------------|
| Single lamp | 2×M25×1.5 plugs |
| Dual lamp | 2×M25×1.5 plugs |

Cable gland (optional)

DQM-II (Ex d) or DQM-III (Ex d) is recommended. Please see P6/24~39

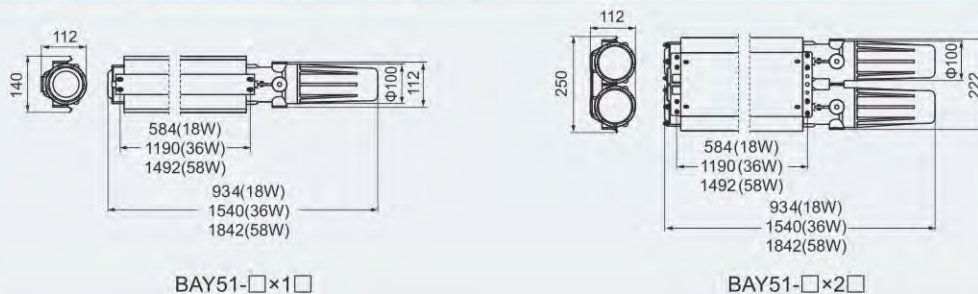


Selection table

| Type / Ordering code | Lamp power(W) | Weight(kg) | Type / Ordering code | Lamp power(W) | Weight(kg) |
|----------------------|---------------|------------|----------------------|---------------|------------|
| BAY51-18×1X | 18×1 | 5.60 | BAY51-18×2X | 18×2 | 10.60 |
| BAY51-18×1L | 18×1 | 6.50 | BAY51-18×2L | 18×2 | 11.55 |
| BAY51-36×1X | 36×1 | 8.80 | BAY51-36×2X | 36×2 | 16.30 |
| BAY51-36×1L | 36×1 | 9.30 | BAY51-36×2L | 36×2 | 16.85 |
| BAY51-58×1X | 58×1 | 10.40 | BAY51-58×2X | 58×2 | 18.30 |
| BAY51-58×1L | 58×1 | 10.85 | BAY51-58×2L | 58×2 | 19.20 |

Note: Products above include all the mounting accessories listed in Mounting Accessories & Spare Parts Table (see P2/23~24).

Dimension drawings (all dimensions in mm) - subject to alteration



Light Fittings for Fluorescent Lamp

BAY51 Series Explosion-proof Light Fittings for Fluorescent Lamp

Technical data

Explosion-proof emergency light fittings for fluorescent lamp BAY51-□×□□J

Explosion protection

Global (IECEX)

IECEX CQM 13.0004X

Gas and dust

Ex d IIC T6 Gb

Ex tb IIIC T80°C Db IP66

Europe (ATEX)

LCIE 13 ATEX 3003X

Gas and dust

⊕ II 2 G Ex d IIC T6 Gb

⊕ II 2 D Ex tb IIIC T80°C Db IP66

Certificates

IECEX; ATEX; CU-TR

Conformity to standards

EN 60079-0, EN 60079-1, EN 60079-31

IEC 60079-0, IEC 60079-1, IEC 60079-31

Material

Enclosure

Copper-free Aluminium Alloy, powder coated surface, yellow (RAL1021)

Glass tube

Toughened glass, stands 4J impact

Emergency unit

Special emergency controller and battery pack, with protection against over-charge and overdischarge

Ballast

Electronic ballast

Wire guard (optional)

Powder coated carbon steel (white) or stainless steel

External reflector

Powder coated pure aluminium

Exposed fastener

Stainless steel

Lamp

Lamp specification

T8 tube (supplied with the light fittings)

Lamp power (W)

18W×2, 36W×2, 58W×2

Emergency power (W)

18W×30%, 36W×30%, 58W×30%

Emergency starting time

0.3s

Charging time

24h

Emergency lighting time

120min (180min is optional)

Rated voltage

100~300V AC 50/60Hz

Earthing protection

M5 (internal & external earth bolts)

Degree of protection

IP66

Ambient temperature

-20°C~+55°C

Terminal

3×1.5~4mm² (L+N+PE)

Cable entries

4×M25×1.5 plugs

Cable gland (optional)

DQM-II (Ex d) or DQM-III (Ex d) is recommended. Please see P6/24~39

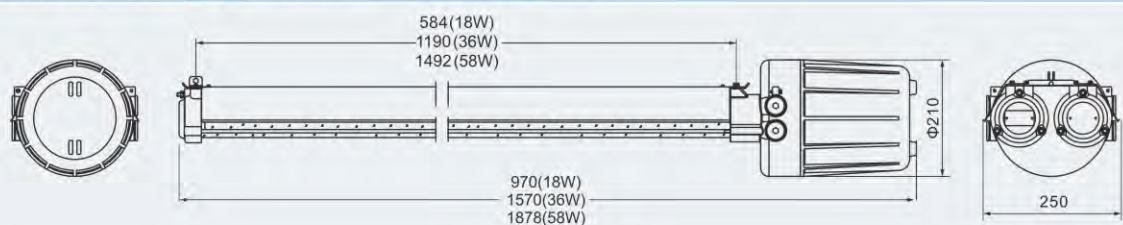


Selection table

| Type / Ordering code | Lamp power(W) | Weight(kg) | Type / Ordering code | Lamp power(W) | Weight(kg) |
|----------------------|---------------|------------|----------------------|---------------|------------|
| BAY51-18×2XJ | 18×2 | 14.50 | BAY51-36×2LJ | 36×2 | 20.30 |
| BAY51-18×2LJ | 18×2 | 14.60 | BAY51-58×2XJ | 58×2 | 22.20 |
| BAY51-36×2XJ | 36×2 | 20.20 | BAY51-58×2LJ | 58×2 | 22.30 |

Note: Products above include all the mounting accessories listed in Mounting Accessories & Spare Parts Table (see P2/25).

Dimension drawings (all dimensions in mm) - subject to alteration



BAY51-□×2□J

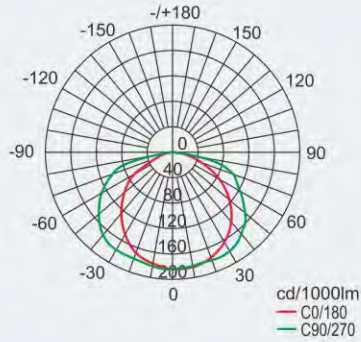
Light Fittings for Fluorescent Lamp

BAY51 Series Explosion-proof Light Fittings for Fluorescent Lamp

Photometric data

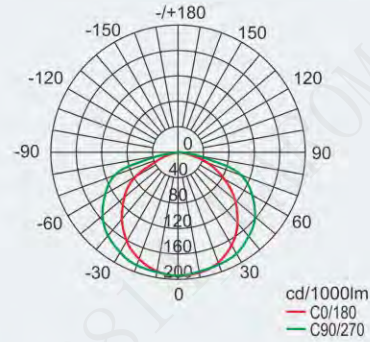
BAY51-18×1□□

| Lamp power (W) | Rated luminous flux (Lamp tube) | Luminaire efficiency |
|----------------|---------------------------------|----------------------|
| 18×1 | 1300lm | 70% |



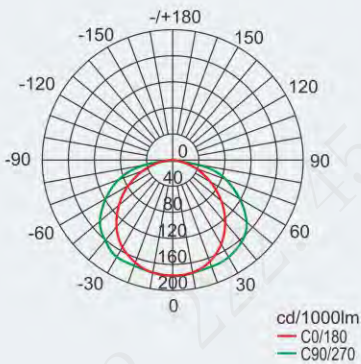
BAY51-18×2□□

| Lamp power (W) | Rated luminous flux (Lamp tube) | Luminaire efficiency |
|----------------|---------------------------------|----------------------|
| 18×2 | 2600lm | 67% |



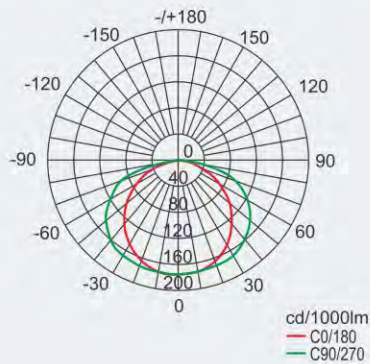
BAY51-36×1□□

| Lamp power (W) | Rated luminous flux (Lamp tube) | Luminaire efficiency |
|----------------|---------------------------------|----------------------|
| 36×1 | 3250lm | 67% |



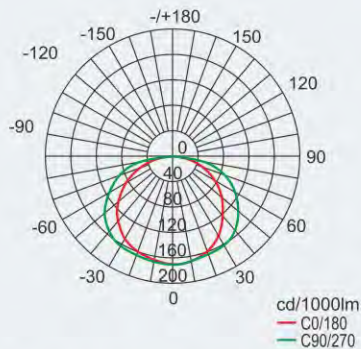
BAY51-36×2□□

| Lamp power (W) | Rated luminous flux (Lamp tube) | Luminaire efficiency |
|----------------|---------------------------------|----------------------|
| 36×2 | 6500lm | 66% |



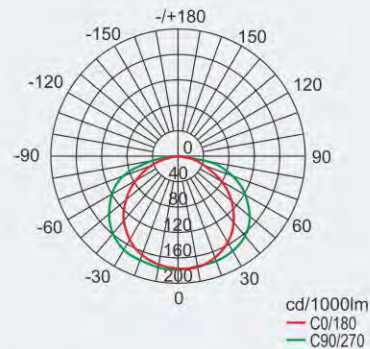
BAY51-58×1□□

| Lamp power (W) | Rated luminous flux (Lamp tube) | Luminaire efficiency |
|----------------|---------------------------------|----------------------|
| 58×1 | 5000lm | 66% |



BAY51-58×2□□

| Lamp power (W) | Rated luminous flux (Lamp tube) | Luminaire efficiency |
|----------------|---------------------------------|----------------------|
| 58×2 | 10000lm | 65% |



We can provide lighting design and data by professional lighting software DIALUX based upon simulated site situation on request.

Light Fittings for Fluorescent Lamp

BAY51 Series Explosion-proof Light Fittings for Fluorescent Lamp

Technical data

Explosion-proof light fittings with LED tubes BAY51-LED□×□□

Explosion protection

Global (IECEX)
Gas and dust

Europe (ATEX)
Gas and dust

Certificates

Conformity to standards

Material

Enclosure
Glass tube
LED driver

Wire guard (optional)
External reflector
Exposed fastener

Lamp

Lamp specification
Lamp power (W)
Colour rendering index (Ra)
Colour temperature (CCT)

Rated voltage

Earthing protection

Degree of protection

Ambient temperature

IECEX CQM 12.0005X

Ex d IIC T6 Gb

Ex tb IIIC T80°C Db IP66

EPT 15 ATEX 2287X

Ex II 2 G Ex db IIC T6 Gb

Ex II 2 D Ex tb IIIC T80°C Db IP66

IECEX; ATEX; CU-TR

EN 60079-0, EN 60079-1, EN 60079-31

IEC 60079-0, IEC 60079-1, IEC 60079-31

LCIE 11 ATEX 3112X

Ex II 2 G Ex d IIC T6 Gb

Ex II 2 D Ex t IIIC T80°C Db IP66

Copper-free Aluminium Alloy, powder coated surface, yellow (RAL1021)

Toughened glass, stands 4J impact

Wide voltage input, CC-CV (constant current - constant voltage) output, power factor ≥0.95, with function of distributed current, constant current, surge-proof and anti-electromagnetic interference, and protection against overcurrent, open circuit, and short circuit.

Powder coated carbon steel (white) or stainless steel

Powder coated pure aluminium

Stainless steel

LED module (supplied with the light fittings)

9W×1, 9W×2, 18W×1, 18W×2, 28W×1, 28W×2

≥80

5000K

Note: nature white is available in general. Warm white or cool white is optional, please specify when ordering.

110~265V AC 50/60Hz

M5 (internal & external earth bolts)

IP66

| Certificates | Lamp power (W) | Ambient temperature |
|--------------------|--------------------------|---------------------|
| EPT 15 ATEX 2287X | 9W×1, 9W×2, 18W×1 | -20°C~+55°C |
| | 18W×2, 28W×1, 28W×2 | |
| LCIE 11 ATEX 3112X | 9W×1, 9W×2 | -40°C~+55°C |
| | 18W×1, 18W×2 | |
| IECEX CQM 12.0005X | 9W×1, 9W×2, 18W×1, 18W×2 | -40°C~+55°C |
| | 28W×1, 28W×2 | |

Terminal

Mounting

Cable entries

Single lamp
Dual lamp

Cable gland

3×1.5~4mm² (L+N+PE)

Ceiling type, pole type

2×M25×1.5 plugs

2×M25×1.5 plugs

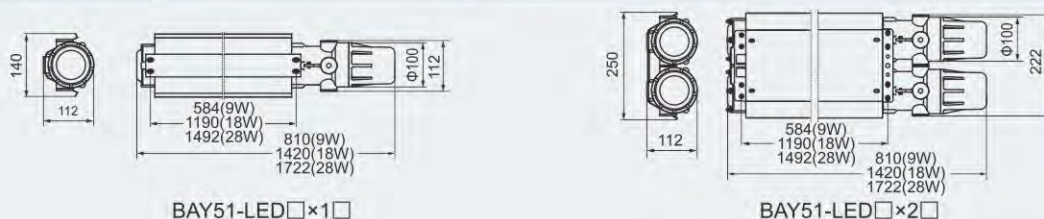
DQM-II (Ex d) or DQM-III (Ex d) is recommended. Please see P6/24~39

Selection table

| Type / Ordering code | Lamp power(W) | Weight(kg) | Type / Ordering code | Lamp power(W) | Weight(kg) |
|----------------------|---------------|------------|----------------------|---------------|------------|
| BAY51-LED 9×1X | 9×1 | 5.50 | BAY51-LED 9×2X | 9×2 | 9.80 |
| BAY51-LED 9×1L | 9×1 | 5.90 | BAY51-LED 9×2L | 9×2 | 10.50 |
| BAY51-LED 18×1X | 18×1 | 8.30 | BAY51-LED 18×2X | 18×2 | 15.70 |
| BAY51-LED 18×1L | 18×1 | 8.35 | BAY51-LED 18×2L | 18×2 | 16.40 |
| BAY51-LED 28×1X | 28×1 | 10.00 | BAY51-LED 28×2X | 28×2 | 17.30 |
| BAY51-LED 28×1L | 28×1 | 10.30 | BAY51-LED 28×2L | 28×2 | 18.30 |

Note: Products above include all the mounting accessories listed in Mounting Accessories & Spare Parts Table (see P2/23~24).

Dimension drawings (all dimensions in mm) - subject to alteration



Light Fittings for Fluorescent Lamp

BAY51 Series Explosion-proof Light Fittings for Fluorescent Lamp

Technical data

Explosion-proof emergency light fittings with LED tubes BAY51-LED□×□□J

Explosion protection

| | |
|----------------|-----------------------------------|
| Global (IECEX) | IECEX CQM 14.0051X |
| Gas and dust | Ex d IIC T6 Gb |
| | Ex tb IIIC T80°C Db IP66 |
| Europe (ATEX) | EUT 14 ATEX 1885 |
| Gas and dust | ⊕ II 2 G Ex d IIC T6 Gb |
| | ⊕ II 2 D Ex tb IIIC T80°C Db IP66 |

Certificates

Conformity to standards

IECEX; ATEX; CU-TR
EN 60079-0, EN 60079-1, EN 60079-31
IEC 60079-0, IEC 60079-1, IEC 60079-31

Material

| | |
|-----------------------|---|
| Enclosure | Copper-free Aluminium Alloy, powder coated surface, yellow (RAL1021) |
| Glass tube | Toughened glass, stands 4J impact |
| LED driver | Wide voltage input, CC-CV (constant current - constant voltage) output, with function of distributed current, constant current, surge-proof and anti-electromagnetic interference, and protection against overcurrent, open circuit, and short circuit. |
| Emergency unit | Special emergency controller and battery pack, with protection against over-charge and overdischarge |
| Wire guard (optional) | Powder coated carbon steel (white) or stainless steel |
| External reflector | Powder coated pure aluminium |
| Exposed fastener | Stainless steel |

Lamp

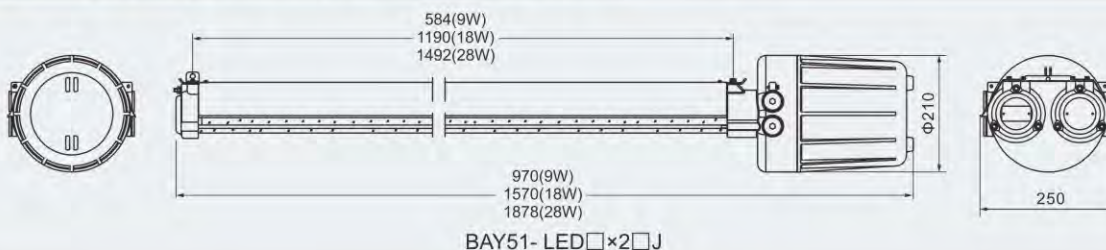
| | |
|-----------------------------|---|
| Lamp specification | LED module (supplied with the light fittings) |
| Lamp power (W) | 9W×2, 18W×2, 28W×2 |
| Colour rendering index (Ra) | ≥80 |
| Colour temperature (CCT) | 5000K |
| | Note: nature white is available in general. Warm white or cool white is optional, please specify when ordering. |
| Emergency power (W) | 9W×30%, 18W×30%, 28W×30% |
| Emergency starting time | 0.3s |
| Charging time | 24h |
| Emergency lighting time | 120min (180min is optional) |
| Rated voltage | 110~265V AC 50/60Hz |
| Earthing protection | M5 (internal & external earth bolts) |
| Degree of protection | IP66 |
| Ambient temperature | -20°C~+55°C |
| Terminal | 3×1.5~4mm ² (L+N+PE) |
| Cable entries | 4×M25×1.5 plugs |
| Cable gland(optional) | DQM-II (Ex d) or DQM-III (Ex d) is recommended. Please see P6/24~39 |

Selection table

| Type / Ordering code | Lamp power(W) | Weight (kg) | Type / Ordering code | Lamp power(W) | Weight (kg) | Type / Ordering code | Lamp power(W) | Weight (kg) |
|----------------------|---------------|-------------|----------------------|---------------|-------------|----------------------|---------------|-------------|
| BAY51-LED 9×2XJ | 9×2 | 13.70 | BAY51-LED 18×2XJ | 18×2 | 19.40 | BAY51-LED 28×2XJ | 28×2 | 21.40 |
| BAY51-LED 9×2LJ | 9×2 | 13.80 | BAY51-LED 18×2LJ | 18×2 | 19.50 | BAY51-LED 28×2LJ | 28×2 | 21.50 |

Note: Products above include all the mounting accessories listed in Mounting Accessories & Spare Parts Table (see P2/25).

Dimension drawings (all dimensions in mm) - subject to alteration

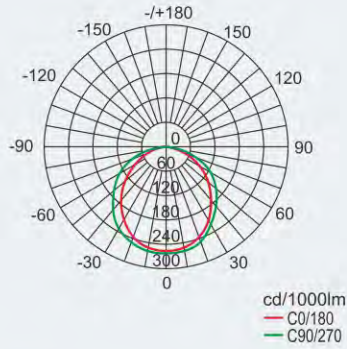


Light Fittings for Fluorescent Lamp BAY51 Series Explosion-proof Light Fittings for Fluorescent Lamp

Photometric data Note: LED luminous flux is from the standard product of which colour temperature is 5000K

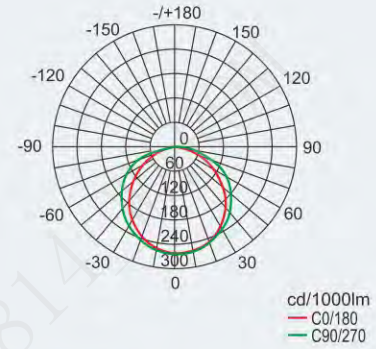
BAY51-LED 9×1□

| Lamp power (W) | Luminous flux | Wattage |
|----------------|---------------|---------|
| 9×1 | 1472lm | 8.8W |



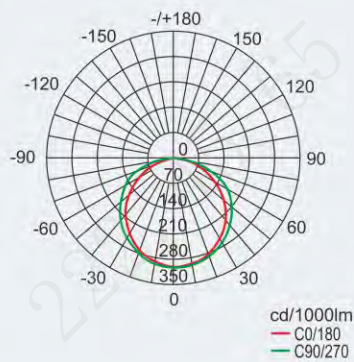
BAY51-LED 9×2□□

| Lamp power (W) | Luminous flux | Wattage |
|----------------|---------------|---------|
| 9×2 | 2943lm | 17.7W |



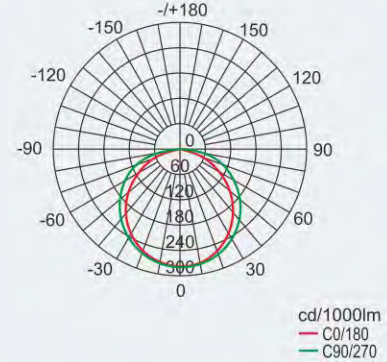
BAY51-LED 18×1□

| Lamp power (W) | Luminous flux | Wattage |
|----------------|---------------|---------|
| 18×1 | 2905lm | 17.5W |



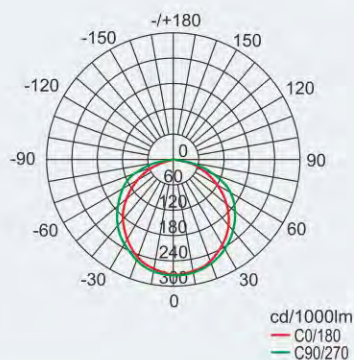
BAY51-LED 18×2□□

| Lamp power (W) | Luminous flux | Wattage |
|----------------|---------------|---------|
| 18×2 | 5810lm | 34.9W |



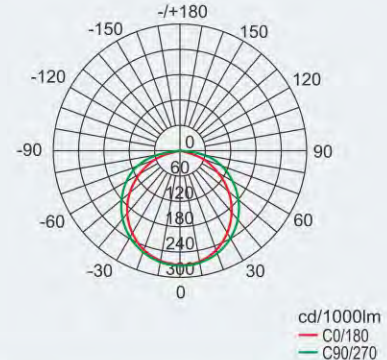
BAY51-LED 28×1□

| Lamp power (W) | Luminous flux | Wattage |
|----------------|---------------|---------|
| 28×1 | 4395lm | 26.4W |



BAY51-LED 28×2□□

| Lamp power (W) | Luminous flux | Wattage |
|----------------|---------------|---------|
| 28×2 | 8791lm | 52.7W |



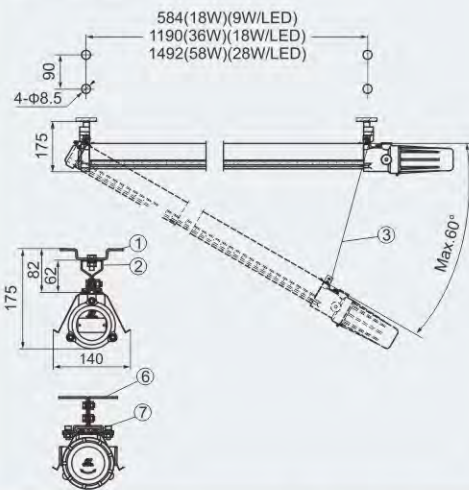
We can provide lighting design and data by professional lighting software DIALUX based upon simulated site situation on request.

Light Fittings for Fluorescent Lamp BAY51 Series Explosion-proof Light Fittings for Fluorescent Lamp

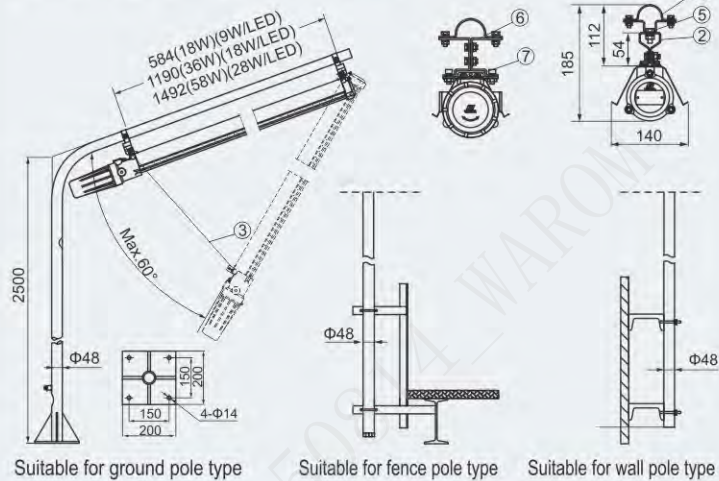
Mounting type for light fittings with single lamp tube (all dimensions in mm) - subject to alteration

Installation reference

X: ceiling type



L: pole type (the pole is provided by user)



Mounting Accessories & Spare Parts Table (light fittings with single lamp tube)

Supplied according to the mounting type

| Mounting type | Name | Qty | Accessories | Illustration | Ordering code | Weight (kg) |
|-----------------|-------------------------------|-----|--|--------------|---------------|-------------|
| X: ceiling type | ①.Mounting bracket | 1 | | | 5136030 | 0.07 |
| | ②.Connector | 1 | | | 51S01X1 | 0.04 |
| | ③.Steel wire rope (with hook) | 1 | Stainless steel, length: 0.7m (18W, 9WLED), 1.3m (36W, 18WLED), 1.6m (58W, 28WLED) | | 51S01X2 | 0.30-0.50 |
| | ⑥.Mounting bracket | 2 | | | 5136041 | 0.08 |
| | ⑦.Mounting bracket | 1 | | | 5136042 | 0.08 |
| L: pole type | ④.G1 1/2" Pipe clamp | 2 | | | 5136014 | 0.04 |
| | ⑤.Mounting bracket | 2 | | | 5136012 | 0.04 |
| | ②.Connector | 2 | Stainless steel, same as ceiling type | | 51S01X1 | 0.04 |
| | ③.Steel wire rope (with hook) | 1 | Stainless steel, same as ceiling type | | 51S01X2 | 0.30-0.50 |
| | ⑥.Mounting bracket | 2 | Stainless steel, same as ceiling type | | 5136041 | 0.08 |
| | ⑦.Mounting bracket | 1 | Stainless steel, same as ceiling type | | 5136042 | 0.08 |

Note: Accessories not in the table shall be supplied by user.

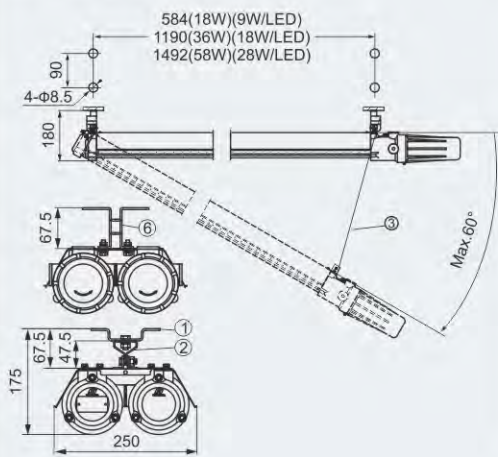


Light Fittings for Fluorescent Lamp BAY51 Series Explosion-proof Light Fittings for Fluorescent Lamp

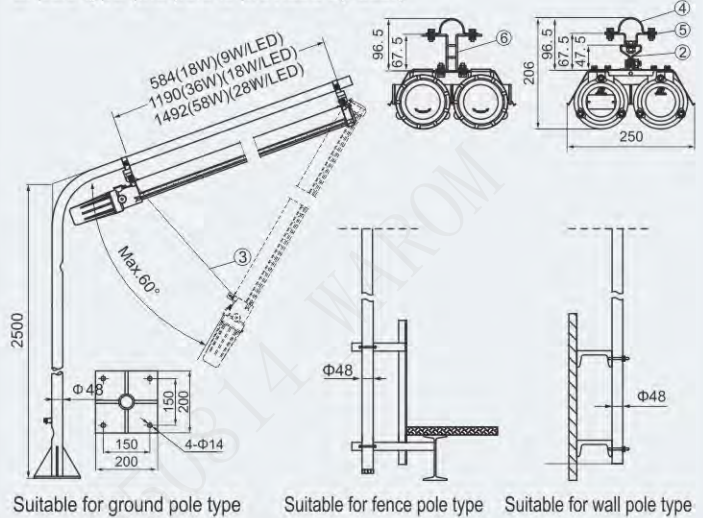
Mounting type for light fittings with dual lamp tube (all dimensions in mm) - subject to alteration

Installation reference

X: ceiling type

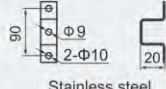

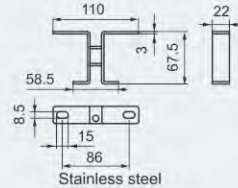
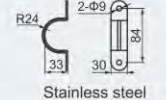
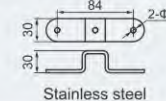


L: pole type (the pole is provided by user)



Mounting Accessories & Spare Parts Table (light fittings with dual lamp tube)

Supplied according to the mounting type

| Mounting type | Name | Accessories | | Ordering code | Weight (kg) |
|-------------------------------|-------------------------------|--------------------|--|--|-------------|
| | | Qty | Illustration | | |
| X: ceiling type | ①.Mounting bracket | 1 |  | 5136030 | 0.07 |
| | ②.Connector | 1 |  | 51S01X1 | 0.04 |
| | ③.Steel wire rope (with hook) | 1 | Stainless steel, length: 0.7m (18W, 9WLED), 1.3m (36W, 18WLED), 1.6m (58W, 28WLED) | 51S01X2 | 0.30~0.50 |
| | ⑥.Mounting bracket | 1 |  | 51D01X3 | 0.13 |
| | ④.G1 1/2" Pipe clamp | 2 |  | 5136014 | 0.04 |
| | L: pole type | ⑤.Mounting bracket | 1 |  | 5136012 |
| ②.Connector | | 2 | Stainless steel, same as ceiling type | 51S01X1 | 0.04 |
| ③.Steel wire rope (with hook) | | 1 | Stainless steel, same as ceiling type | 51S01X2 | 0.30~0.50 |
| ⑥.Mounting bracket | | 1 | Stainless steel, same as ceiling type | 51D01X3 | 0.13 |

Note: Accessories not in the table shall be supplied by user.



Light Fittings for Fluorescent Lamp

BAY51 Series Explosion-proof Light Fittings for Fluorescent Lamp

Mounting type for light fittings with dual lamp tube (all dimensions in mm) - subject to alteration

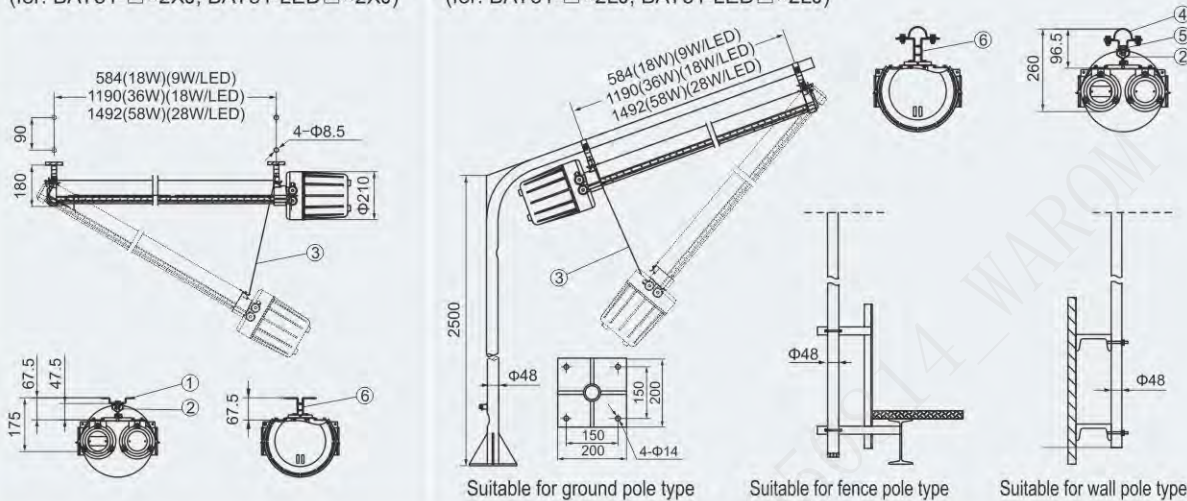
Installation reference

X: ceiling type

(for: BAY51-□×2XJ; BAY51-LED□×2XJ)

L: pole type (the pole is provided by user)

(for: BAY51-□×2LJ; BAY51-LED□×2LJ)



Mounting Accessories & Spare Parts Table (light fittings with dual lamp tube)

Supplied according to the mounting type

| Mounting type | Name | Qty | Accessories | Illustration | Ordering code | Weight (kg) |
|-----------------|-------------------------------|-----|--|--------------|---------------|-------------|
| X: ceiling type | ①.Mounting bracket | 1 | | | 5136030 | 0.07 |
| | ②.Connector | 1 | | | 51S01X1 | 0.04 |
| | ③.Steel wire rope (with hook) | 1 | Stainless steel, length: 0.7m (18W, 9WLED), 1.3m (36W, 18WLED), 1.6m (58W, 28WLED) | | 51S01X2 | 0.30~0.50 |
| | ⑥.Mounting bracket | 1 | | | 51D01X3 | 0.13 |
| L: pole type | ④.G1 1/2" Pipe clamp | 2 | | | 5136014 | 0.04 |
| | ⑤.Mounting bracket | 1 | | | 5136012 | 0.04 |
| | ②.Connector | 2 | Stainless steel, same as ceiling type | | 51S01X1 | 0.04 |
| | ③.Steel wire rope (with hook) | 1 | Stainless steel, same as ceiling type | | 51S01X2 | 0.30~0.50 |
| | ⑥.Mounting bracket | 1 | Stainless steel, same as ceiling type | | 51D01X3 | 0.13 |

Note: Accessories not in the table shall be supplied by user.

