

BAT86 防爆LED泛光灯

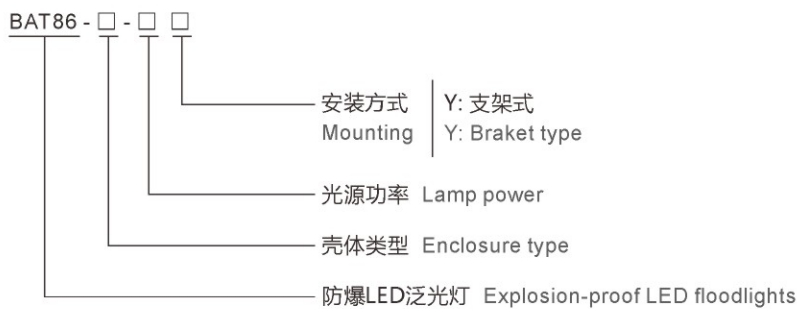
BAT86 Explosion-proof LED Floodlight



应用场所 Application

- 广泛应用于海洋工程各类作业平台、各类化学品、天然气运输船、危险品码头等危险区域作远距离泛光照明之用；
- 可在潮湿、振动、腐蚀等恶劣环境中可靠工作；
- 适用于爆炸性危险环境1区、2区、21区、22区等场所。
- Widely used for floodlight illumination on various marine platforms, chemical tankers, LNG ships and hazardous cargo wharfs, etc..
- Can reliably work in severe environment exposed in moisture, vibration or corrosion;
- Explosive hazardous atmosphere Zone 1, Zone 2, Zone 21, Zone 22.

型号含义 Catalogue number logic



灯体 Housing

- 优质海工铝合金，表面喷塑
- High quality maritime aluminum alloy, powder coated surface

电气 Electric

- 恒流恒压驱动电源，宽电压输入
- Constant current constant voltage drive power, wide voltage input

透明罩 Transparent cover

- 钢化玻璃，抗4J冲击
- Toughened glass, stands 4J impact

选配表 Selection table

型号 Type	额定电压(V) Rated voltage	额定功率(W) Rated power	光通量(lm) Luminous flux	重量(kg) Weight
BAT86-90-60	100V~277V AC 50/60 Hz 130V~250V DC	60W	9247	6.7
BAT86-90-90		90W	14915	6.7
BAT86-160-120		120W	19833	13.0
BAT86-160-160		160W	27506	13.0
BAT86-240-200		200W	34234	28.0
BAT86-240-240		240W	40578	28.0

- 灯具出厂时配防爆堵头，若用户需要防爆电缆夹紧密接头，请注明。
- The light fitting is supplied with Ex type stopping plug and Ex cable gland is on request.

防爆标志选配表 Ex-Mark Selection table

型号 Type	环境温度 Ambient temperature	防爆标志 Ex-Mark	
		IECEX	ATEX
BAT86-90-60 BAT86-90-90	-60°C ≤ Ta ≤ +40°C	Ex db IIB+H ₂ T6 Gb Ex tb IIIC T80°C Db	⊕ Ex II 2 G Ex db IIB+H ₂ T6 Gb ⊕ Ex II 2 D Ex tb IIIC T80°C Db
	-60°C ≤ Ta ≤ +60°C	Ex db IIB+H ₂ T4 Gb Ex tb IIIC T130°C Db	⊕ Ex II 2 G Ex db IIB+H ₂ T4 Gb ⊕ Ex II 2 DEx tb IIIC T130°C Db
BAT86-160-120 BAT86-160-160	-60°C ≤ Ta ≤ +40°C	Ex d IIB T6 Gb Ex tb IIIC T80°C Db	⊕ Ex II 2 G Ex d IIB T6 Gb ⊕ Ex II 2 DEx tb IIIC T80°C Db
	-60°C ≤ Ta ≤ +60°C	Ex d IIB T5 Gb Ex tb IIIC T95°C Db	⊕ Ex II 2 G Ex d IIB T5 Gb ⊕ Ex II 2 DEx tb IIIC T95°C Db
BAT86-240-200 BAT86-240-240	-60°C ≤ Ta ≤ +40°C	Ex db IIB+H ₂ T6 Gb Ex tb IIIC T80°C Db	⊕ Ex II 2 G Ex db IIB+H ₂ T6 Gb ⊕ Ex II 2 DEx tb IIIC T80°C Db
	-60°C ≤ Ta ≤ +60°C	Ex db IIB+H ₂ T4 Gb Ex tb IIIC T130°C Db	⊕ Ex II 2 G Ex db IIB+H ₂ T4 Gb ⊕ Ex II 2 DEx tb IIIC T130°C Db

技术参数 Technical parameters

执行标准 Conformity to standards	IEC 60079, EN 60079, GB/T 3836, CCS 入级规范 (CCS standard)
环境温度 Ambient temperature	-60°C ~ +40/60°C
光源类型 Light source	LED 模组 LED module
色温 Color temperature	5700K ± 250K
显色指数 Color rendering index	Ra ≥ 70
防护等级 Degree of protection	IP66
防腐等级 Corrosion-proof	WF2
电缆引入口 Cable entries	2×M25×1.5堵头(铝合金), 推荐配2×M25×1.5格兰(黄铜镀镍) DQM-II/III Ex eb, 适用于Φ12.5~Φ20.5mm电缆 2×M25×1.5 plug (Aluminum alloy), 2×M25×1.5 gland (Nickel plated brass) DQM-II/III Ex eb is recommended, suitable for Φ12.5~Φ20.5mm cable
接线端子 Terminal	1.5~4mm ²

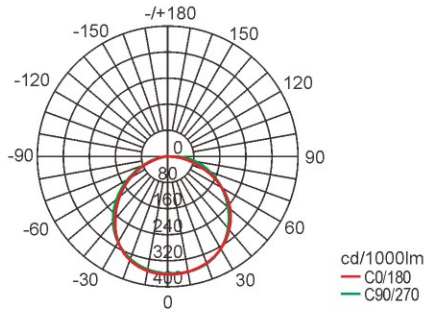
BAT86 防爆LED泛光灯

BAT86 Explosion-proof LED Floodlight

配光曲线 Light distribution curve

■ BAT86-90-□□

灯具功率 Lamp power	光通量 Luminous flux
60W	9427lm
90W	14915lm

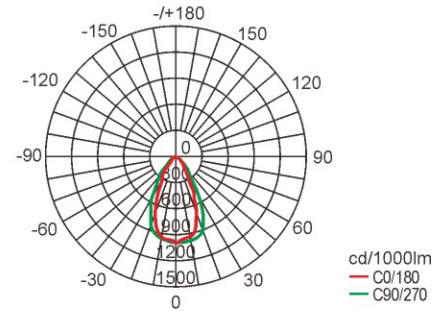


■ BAT86-90-□□

灯具功率 Lamp power	光通量 Luminous flux
60W	8650lm
90W	13500lm

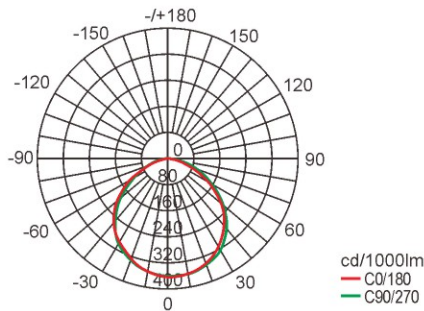
注：可根据需求提供60°或30°透镜。

Note: Lens of 60° and 30° can be provided on request.



■ BAT86-160-□□

灯具功率 Lamp power	光通量 Luminous flux
120W	19833lm
160W	27506lm

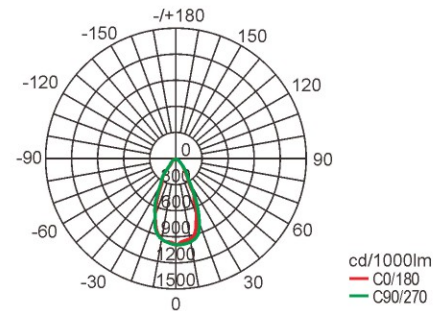


■ BAT86-160-□□

灯具功率 Lamp power	光通量 Luminous flux
120W	19500lm
160W	25500lm

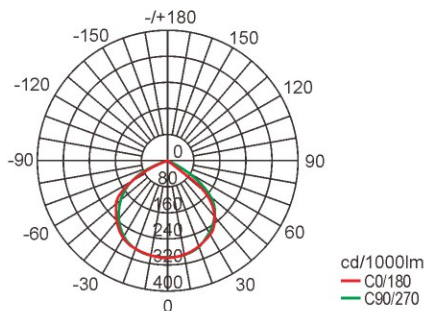
注：可根据需求提供60°或30°透镜。

Note: Lens of 60° and 30° can be provided on request.



■ BAT86-240-□□

灯具功率 Lamp power	光通量 Luminous flux
200W	34234lm
240W	40578lm

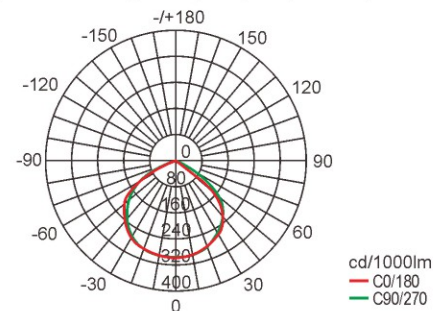


■ BAT86-240-□□

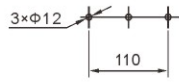
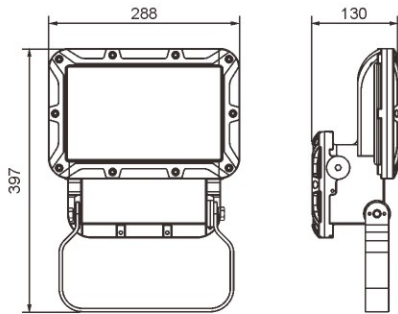
灯具功率 Lamp power	光通量 Luminous flux
2×200W	68468lm
2×240W	81156lm

注：集成两盏灯的灯具参数。

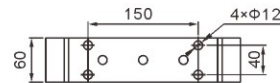
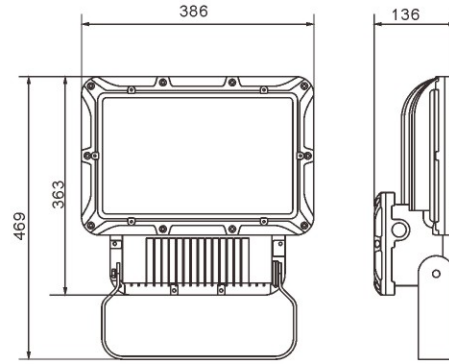
Note: Measuring parameters of light fitting integrating two lamps



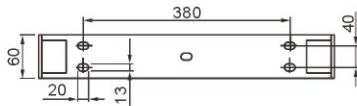
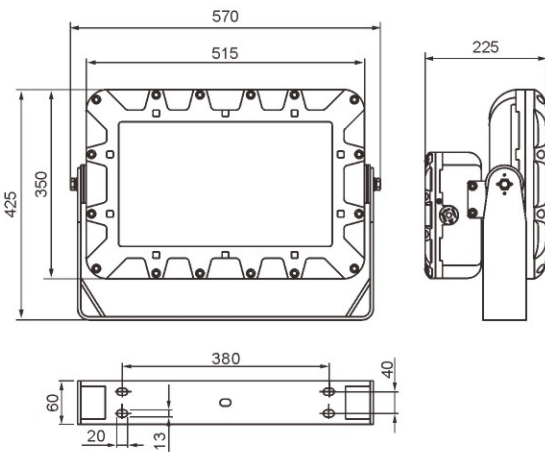
外形尺寸及安装方式举例 Outline dimension and mounting type



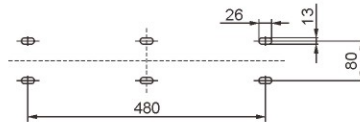
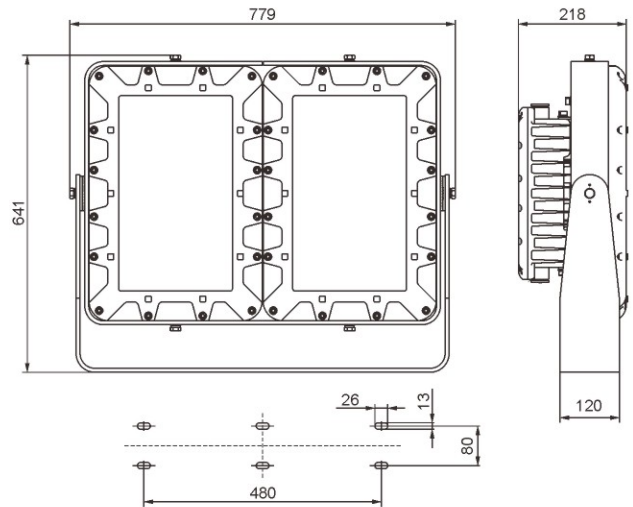
60~90W



120~160W



200~240W



2x200W, 2x240W