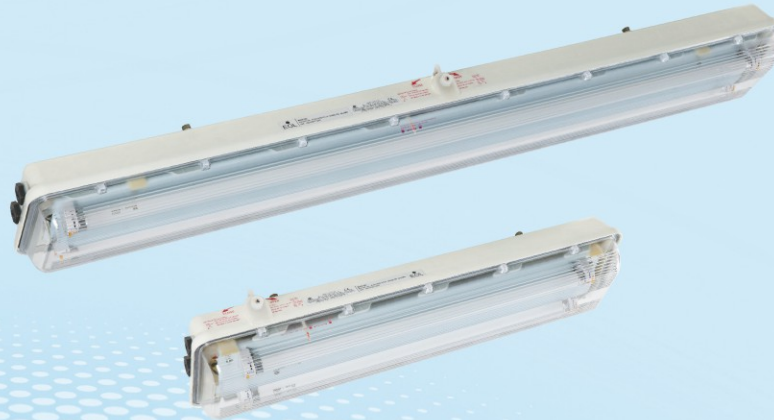


BAY51-Q 防爆防腐全塑荧光灯

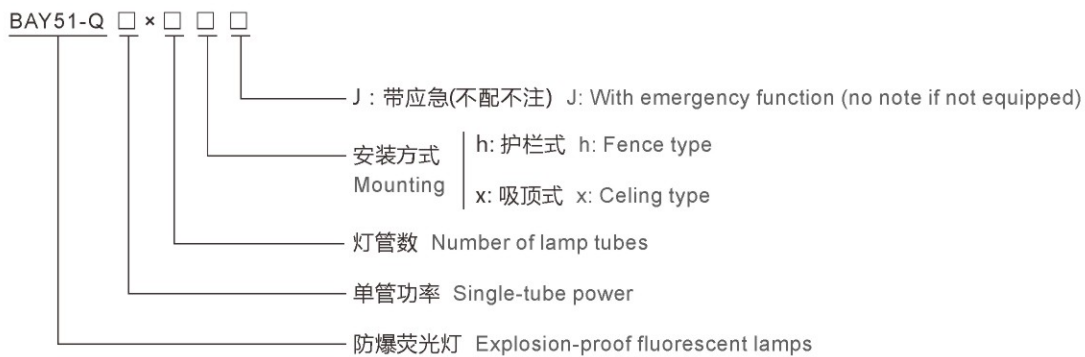
BAY51-Q
Explosion-proof Corrosion-proof Plastic Light Fitting
For Fluorescent Lamp



应用场所 Application

- 广泛应用于海洋工程各类作业平台、各类化学品、天然气运输船、危险品码头等危险区域作工作及场景照明之用；
- 可在潮湿、振动、腐蚀等恶劣环境中可靠工作；
- 适用于爆炸性危险环境1区、2区、21区、22区等场所。
- Widely used for the illumination on various marine platforms, chemical tankers, LNG ships and hazardous cargo wharfs, etc..
- Can reliably work in severe environment exposed in moisture, vibration or corrosion;
- Explosive hazardous atmosphere Zone 1, Zone 2, Zone 21, Zone 22.

型号含义 Catalogue number logic



灯体 Housing

- GRP材质
- GRP material

透明罩 Transparent cover

- PC材质，抗4J冲击
- PC material, stands 4J impact

电气 Electric

- 防爆电子镇流器，宽电压输入
- Explosion-proof electronic ballast, wide voltage input

带应急参数(J) Data for light with emergency function

- 单管应急，应急时间≥120min
- Single tube emergency, emergency lighting time ≥120 min

选配表 Selection table

型号 Type	额定电压(V) Rated voltage	额定功率(W) Rated power	光通量(lm) Luminous flux	重量(kg) Weight
BAY51-Q 18×2	96V~277V AC 170~264V AC 100~250V DC 50/60Hz	18W×2	2600	6.9
BAY51-Q 36×2		36W×2	6500	11.4
BAY51-Q 18×2J		18W×2	2600	8.7
BAY51-Q 36×2J		36W×2	6500	13.1

- 灯具出厂时配防爆堵头，若用户需要防爆电缆夹紧密接头，请注明。
- The light fitting is supplied with Ex type stopping plug and Ex cable gland is on request.

C

防爆标志选配表 Ex-Mark Selection table

型号 Type	环境温度 Ambient temperature	防爆标志 Ex-Mark		
		GB	IECEX	ATEX
BAY51-Q 18×2 BAY51-Q 36×2	-40°C≤Ta≤+55°C	Ex db eb q IIC T4 Gb Ex tb IIIC T80°C Db	Ex d e q IIC T4 Gb Ex t IIIC T80°C Db IP66	Ⓔ II 2 G Ex d e q IIC T4 Gb Ⓔ II 2 D Ex t IIIC T80°C Db IP66
BAY51-Q 18×2J BAY51-Q 36×2J	-40°C≤Ta≤+55°C	Ex db eb q IIC T4 Gb Ex tb IIIC T80°C Db	Ex d e q IIC T4 Gb Ex t IIIC T80°C Db IP66	Ⓔ II 2 G Ex d e q IIC T4 Gb Ⓔ II 2 D Ex t IIIC T80°C Db IP66

BAY51-Q 防爆防腐全塑荧光灯

BAY51-Q Explosion-proof Corrosion-proof Plastic Light Fitting For Fluorescent Lamp

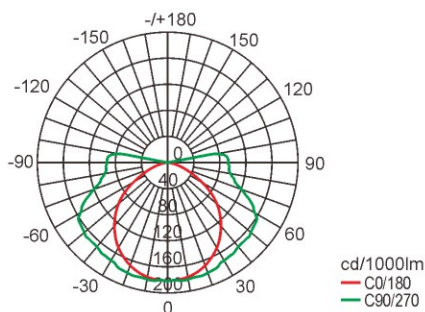
技术参数 Technical parameters

执行标准 Conformity to standards	IEC 60079, EN 60079, GB/T 3836, CCS 入级规范 (CCS standard)
环境温度 Ambient temperature	-40°C~+55°C
光源类型 Light source	T8荧光灯管 T8 Fluorescent tube
防护等级 Degree of protection	IP66
防腐等级 Corrosion-proof	WF2
电缆引入口 Cable entris	4×Φ26孔, 配4×M25×1.5堵头(塑料), 推荐配2×M25×1.5格兰(黄铜镀镍) DQM-II/III Ex eb, 适用于Φ12.5~Φ20.5mm电缆 4×Φ26 hole, with 4×M25×1.5 plug (Plastic), 2×M25×1.5 gland (Nickel plated brass) DQM-II/III Ex eb is recommended, suitable for Φ12.5~Φ20.5mm cable
接线端子 Terminal	1.5~4mm ²

配光曲线 Light distribution curve

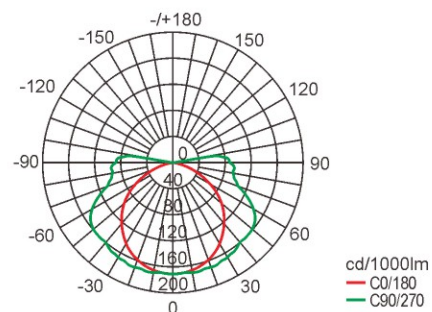
■ BAY51-Q 18×2□□

灯具功率 Lamp power	光通量 Luminous flux
18W×2	2600lm

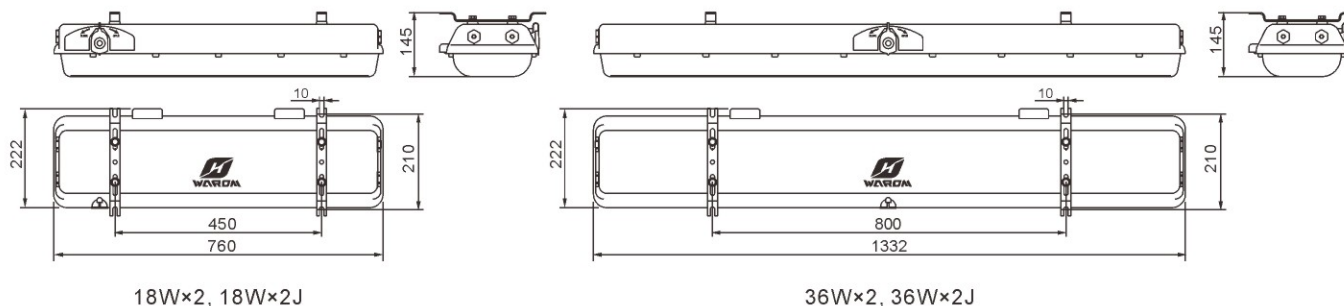


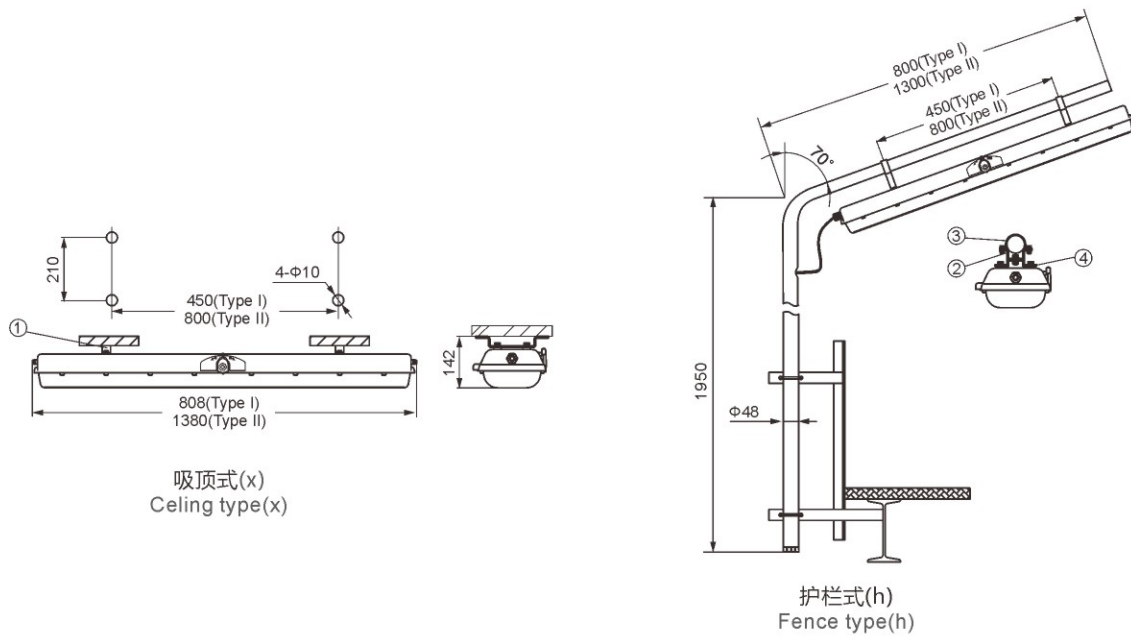
■ BAY51-Q 36×2□□

灯具功率 Lamp power	光通量 Luminous flux
36W×2	6500lm

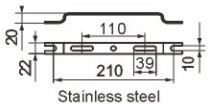
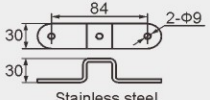
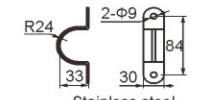



外形尺寸及安装方式举例 Outline dimension and mounting type





安装配件及备件表 Mounting Accessories & Spare Parts Table

安装方式 Mounting type	配件 Accessories			订货代码 Ordering code	重量 (kg) Weight
	名称 Name	数量 Qty	外形图 Illustration		
吸顶式 Ceiling type	①. 安装支架 Mounting bracket	2		5136015	0.20
护栏式 Fence type	②. 安装支架 Mounting bracket	2		5136012	0.04
	③. G1 1/2" 管夹 G1 1/2" Pipe clamp	2		5136014	0.04
	④. 安装支架 Mounting bracket	2		5136030	0.07

C