

# CPY□3-L LED蓬顶灯(A型)

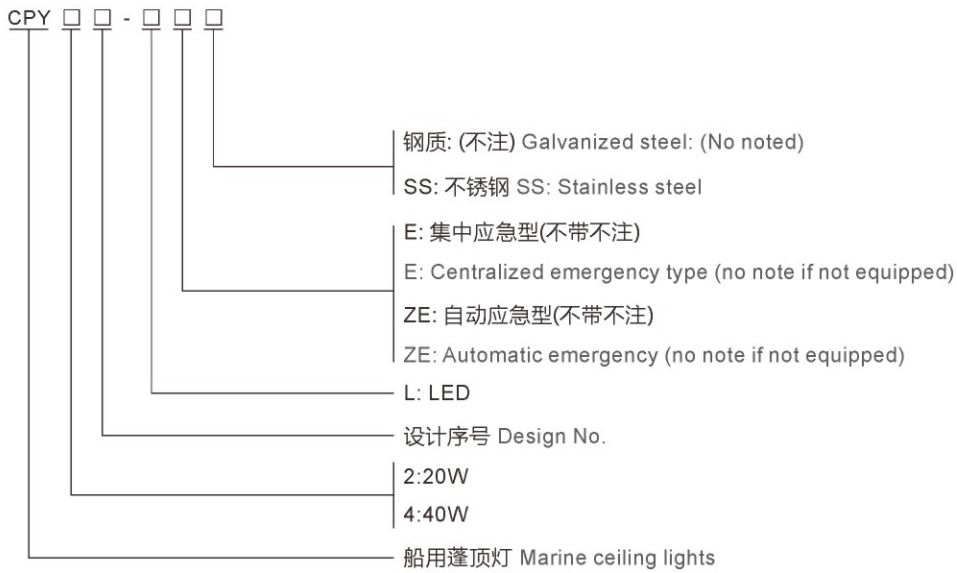
# CPY□3-L LED Ceiling Light (Type A)



## 应用场所 Application

- 适用于卧房，餐厅，休闲室，客舱，走廊及相应区域。
- Bedroom, dining hall, leisure room, passenger cabin, corridor and other relevant areas.

## 型号含义 Catalogue number logic



## 灯体 Housing

- 优质钢板，表面喷白色塑粉
- High-quality steel plate with white plastic powder sprayed on the surface

## 透明罩 Transparent cover

- 乳白色PC材质
- Milk white PC material

## 电气 Electric

- 恒流恒压驱动电源，宽电压输入
- Constant current constant voltage drive power, wide voltage input

## 安装方式 Mounting

- 使用12/16个Φ6.5mm的安装孔位来固定(其中6/8个是备用孔位)
- Fix by means of 12/16×Φ6.5mm mounting holes (among witch 6/8 are for standby)

## 可选配件 Options

- ZE：自带电源应急90分钟
- E：集中电源应急
- SS：不锈钢灯体
- ZE: Self-contained power supply, emergency light operation time 90 minutes
- E: Centralized power supply for emergency
- SS: Stainless steel housing

## 选配表 Selection table

| 型号<br>Type | 额定电压(V)<br>Rated voltage                  | 光源类型<br>Light source | 额定功率(W)<br>Rated power | 光通量(lm)<br>Luminous flux | 重量(kg)<br>Weight |
|------------|---|----------------------|------------------------|--------------------------|------------------|
| CPY23-L    | 220V~240V AC 50/60Hz<br>110V/120V AC 60Hz | LED 模组<br>LED module | 20W                    | 3010                     | 3.4              |
|            |   | LED灯管<br>LED tube    | 10W×2                  | 2260                     | 3.3              |
| CPY43-L    |   | LED 模组<br>LED module | 40W                    | 6180                     | 5.9              |
|            |   | LED灯管<br>LED tube    | 20W×2                  | 4650                     | 6.0              |

- ZE: 自带电源应急90分钟 Self-contained power supply, emergency light operation time 90 minutes
- E: 集中电源应急(DC24V/3W) Centralized power supply for emergency

## 技术参数 Technical parameters

|                              |   |
|------------------------------|---|
| 执行标准 Conformity to standards | IEC 60598 , IEC 60092-306 , CCS 入级规范 (CCS standard)                             |
| 环境温度 Ambient temperature     | -40°C~+55°C   |
| 光源类型 Light source            | LED 模组/LED灯管 LED module/LED tube  |
| 色温 Color temperature         | 5000K±250K (3000K、4000K可选 Optional)   |
| 显色指数 Color rendering index   | Ra≥80   |
| 防护等级 Degree of protection    | IP44  |
| 电缆引入口 Cable entris           | 4×Φ20(密封塞), 适用于Φ6~Φ12mm电缆<br>4×Φ20 (stopping plug), suitable for Φ6~Φ12mm cable |
| 接线端子 Terminal                | 1.5~4mm <sup>2</sup>  |

A

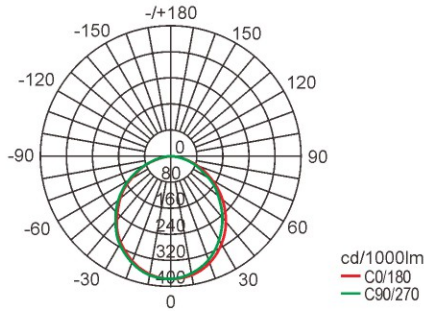
# CPY□3-L LED蓬顶灯(A型)

CPY□3-L LED Ceiling Light (Type A)

## 配光曲线 Light distribution curve

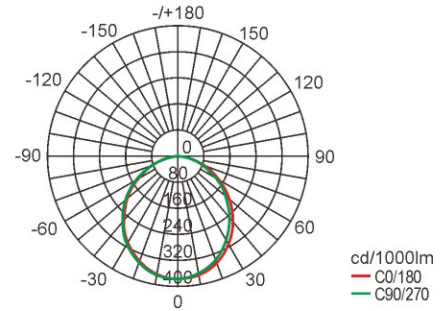
### CPY23-L LED 20

| 灯具功率 Lamp power | 光通量 Luminous flux |
|-----------------|-------------------|
| 20W             | 3010lm            |



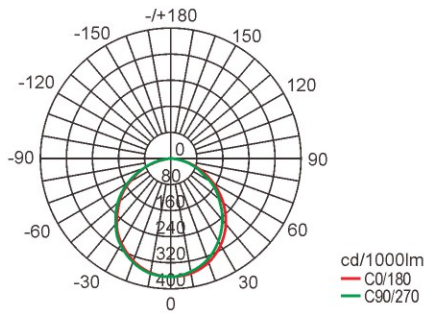
### CPY23-L LED 10 × 2

| 灯具功率 Lamp power | 光通量 Luminous flux |
|-----------------|-------------------|
| 10W × 2         | 2260lm            |



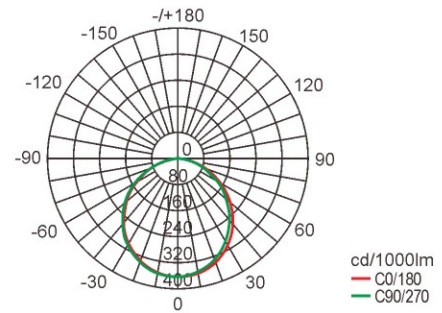
### CPY43-L LED 40

| 灯具功率 Lamp power | 光通量 Luminous flux |
|-----------------|-------------------|
| 40W             | 6180lm            |

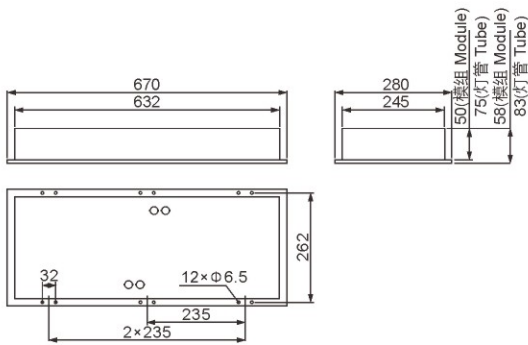


### CPY43-L LED 20 × 2

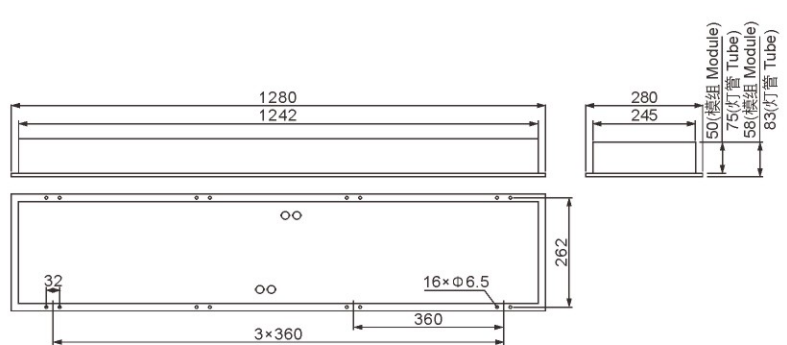
| 灯具功率 Lamp power | 光通量 Luminous flux |
|-----------------|-------------------|
| 20W × 2         | 4650lm            |



## 外形尺寸 Outline dimension



CPY23-L



CPY43-L