

HRD91 防爆高效节能LED灯

HRD91 Explosion-proof High Efficiency Energy-saving LED Light



护栏式 Fence type



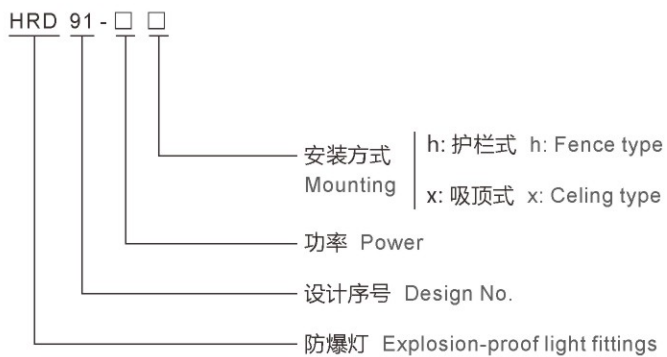
吸顶式 Ceiling type



应用场所 Application

- 广泛应用于海洋工程各类作业平台、各类化学品、天然气运输船、危险品码头等危险区域作工作及场景照明之用；
- 可在潮湿、振动、腐蚀等恶劣环境中可靠工作；
- 适用于爆炸性危险环境1区、2区、21区、22区等场所。
- Widely used for the illumination on various marine platforms, chemical tankers, LNG ships and hazardous cargo wharfs, etc..
- Can reliably work in severe environment exposed in moisture, vibration or corrosion;
- Explosive hazardous atmosphere Zone 1, Zone 2, Zone 21, Zone 22.

型号含义 Catalogue number logic



灯体 Housing

- 优质海工铝合金，表面喷塑
- High quality maritime aluminum alloy, powder coated surface

透明罩 Transparent cover

- 钢化玻璃，抗4J冲击
- Toughened glass, stands 4J impact

电气 Electric

- 恒流恒压驱动电源，宽电压输入100V~277V AC 50/60Hz
- Constant current constant voltage drive power, wide voltage input 100V~277V AC 50/60Hz

选配表 Selection table

型号 Type	额定电压(V) Rated voltage	额定功率(W) Rated power	光通量(lm) Luminous flux	重量(kg) Weight
HRD91-30	220V/230V AC 50/60Hz	30W	3150	4.3
HRD91-50		50W	5450	4.3
HRD91-70		70W	7955	6.2
HRD91-100		100W	10800	6.2
HRD91-120		120W	12930	6.2

- 灯具出厂时配防爆堵头，若用户需要防爆电缆夹紧密封接头，请注明。
- The light fitting is supplied with Ex type stopping plug and Ex cable gland is on request.

防爆标志选配表 Ex-Mark Selection table

型号 Type	环境温度 Ambient temperature	防爆标志 Ex-Mark
		GB
HRD91-30, HRD91-50 HRD91-70, HRD91-100	-40°C ≤ Ta ≤ +40°C	Ex db IIC T6 Gb Ex tb IIIC T80°C Db
	-40°C ≤ Ta ≤ +55°C	Ex db IIC T5 Gb Ex tb IIIC T95°C Db
HRD91-120	-40°C ≤ Ta ≤ +40°C	Ex db IIC T5 Gb Ex tb IIIC T95°C Db
	-40°C ≤ Ta ≤ +55°C	Ex db IIC T4 Gb Ex tb IIIC T130°C Db

技术参数 Technical parameters

执行标准 Conformity to standards	IEC 60079, EN 60079, GB/T 3836, CCS 入级规范 (CCS standard)
环境温度 Ambient temperature	-40°C~+55°C
光源类型 Light source	LED 模组 LED module
色温 Color temperature	5700K±250K
显色指数 Color rendering index	Ra≥80
防护等级 Degree of protection	IP66
防腐等级 Corrosion-proof	WF2
电缆引入口 Cable entris	吸顶式：2×M25×1.5堵头(铝合金)，护栏式：2×M25×1.5堵头(铝合金)， 推荐配2×M25×1.5格兰(黄铜镀镍)DQM-II/III Ex db，适用于Φ12.5~Φ20.5mm电缆 Ceiling type: 2×M25×1.5 plug (Aluminum alloy), fence type: 2×M25×1.5 plug (Aluminum alloy), 2×M25×1.5 gland (Nickel plated brass) DQM-II/III Ex db is recommended, suitable for Φ12.5~Φ20.5mm cable
接线端子 Terminal	1.5~4mm ²

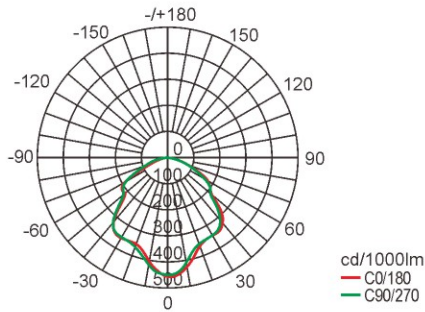
HRD91 防爆高效节能LED灯

HRD91 Explosion-proof High Efficiency Energy-saving LED Light

配光曲线 Light distribution curve

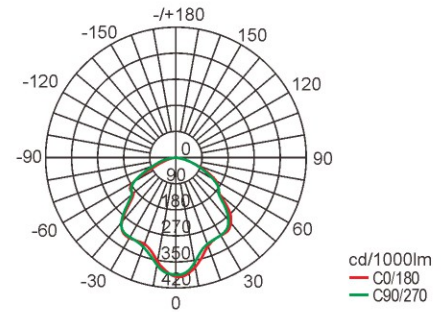
HRD91-30□□

灯具功率 Lamp power	光通量 Luminous flux
30W	3150lm



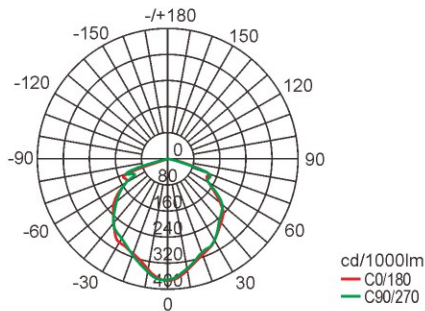
HRD91-50□□

灯具功率 Lamp power	光通量 Luminous flux
50W	5450lm



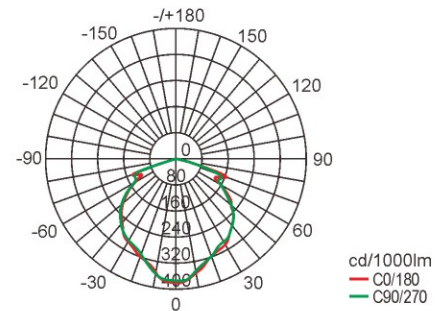
HRD91-70□□

灯具功率 Lamp power	光通量 Luminous flux
70W	7955lm



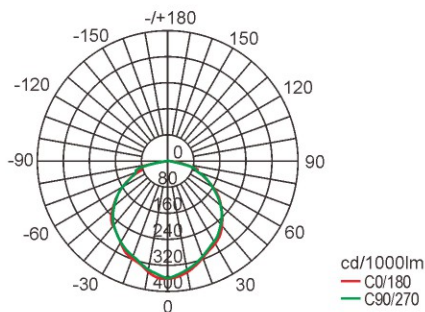
HRD91-100□□

灯具功率 Lamp power	光通量 Luminous flux
100W	10800lm

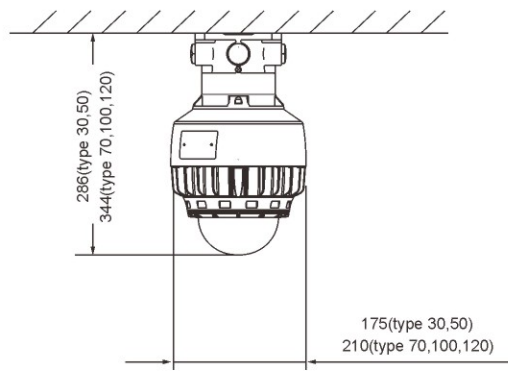
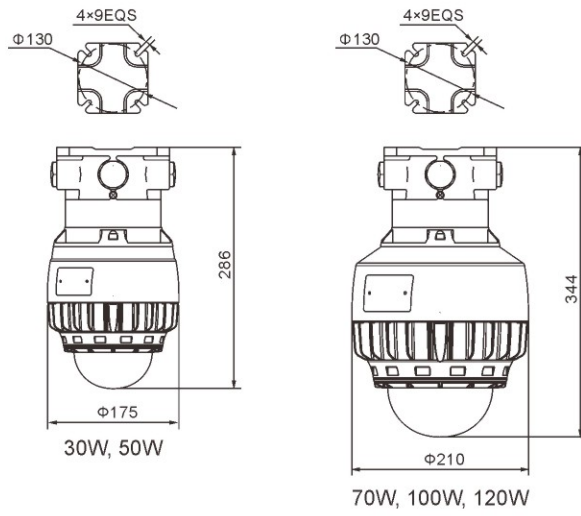


HRD91-120□□

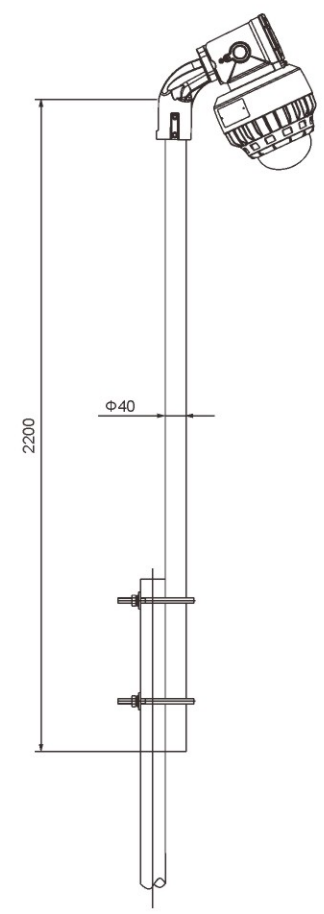
灯具功率 Lamp power	光通量 Luminous flux
120W	12930lm



外形尺寸及安装方式举例 Outline dimension and mounting type



吸顶式(x)
Celing type(x)



护栏式(h)
Fence type(h)

