

# HRT91 防爆高效节能LED投光灯

HRT91  
Explosion-proof High Efficiency Energy-saving  
LED Spotlight Fitting



## 应用场所 Application

- 广泛应用于海洋工程各类作业平台、各类化学品、天然气运输船、危险品码头等危险区域作远距离投光照明之用；
- 可在潮湿、振动、腐蚀等恶劣环境中可靠工作；
- 适用于爆炸性危险环境1区、2区、21区、22区等场所。
- Widely used for floodlight illumination on various marine platforms, chemical tankers, LNG ships and hazardous cargo wharfs, etc..
- Can reliably work in severe environment exposed in moisture, vibration or corrosion;
- Explosive hazardous atmosphere Zone 1, Zone 2, Zone 21, Zone 22.

## 型号含义 Catalogue number logic



## 灯体 Housing

- 优质海工铝合金，表面喷塑
- High quality maritime aluminum alloy, powder coated surface

## 电气 Electric

- 恒流恒压驱动电源，宽电压输入
- Constant current constant voltage drive power, wide voltage input

## 透明罩 Transparent cover

- 钢化玻璃，抗4J冲击
- Toughened glass, stands 4J impact

C

## HRT91 防爆高效节能LED投光灯

HRT91 Explosion-proof High Efficiency Energy-saving LED Spotlight Fitting

### 选配表 Selection table

型号 Type	额定电压(V) Rated voltage	额定功率(W) Rated power	光通量(lm) Luminous flux	重量(kg) Weight
HRT91-60	220V/230V AC 50/60Hz	60W	4380	8.5
HRT91-80		80W	5820	8.5
HRT91-100		100W	8150	8.5
HRT91-120		120W	11240	10.8
HRT91-160		160W	14990	10.8
HRT91-200		200W	21350	10.8

- 灯具出厂时配防爆堵头，若用户需要防爆电缆夹紧密封接头，请注明。
- The light fitting is supplied with Ex type stopping plug and Ex cable gland is on request.

### 防爆标志选配表 Ex-Mark Selection table

型号 Type	环境温度 Ambient temperature	防爆标志 Ex-Mark
		GB
HRT91-60, HRT91-80, HRT91-100	$-40^{\circ}\text{C} \leq \text{Ta} \leq +55^{\circ}\text{C}$	Ex db eb mb IIC T5 Gb Ex tb IIIC T95°C Db
HRT91-120, HRT91-160	$-40^{\circ}\text{C} \leq \text{Ta} \leq +40^{\circ}\text{C}$	Ex db eb mb IIC T5 Gb Ex tb IIIC T95°C Db
	$-40^{\circ}\text{C} \leq \text{Ta} \leq +55^{\circ}\text{C}$	Ex db eb mb IIC T4 Gb Ex tb IIIC T130°C Db
HRT91-200	$-40^{\circ}\text{C} \leq \text{Ta} \leq +55^{\circ}\text{C}$	Ex db eb mb IIC T4 Gb Ex tb IIIC T130°C Db

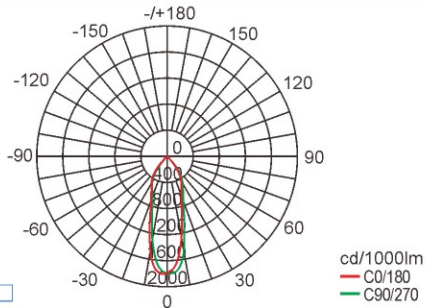
### 技术参数 Technical parameters

执行标准 Conformity to standards	IEC 60079, EN 60079, GB/T 3836, CCS 入级规范 (CCS standard)
环境温度 Ambient temperature	$-40^{\circ}\text{C} \sim +40^{\circ}\text{C}$ , $-40^{\circ}\text{C} \sim +55^{\circ}\text{C}$ (可选 Optional)
光源类型 Light source	LED 模组 LED module
色温 Color temperature	5700K $\pm$ 250K
显色指数 Color rendering index	Ra $\geq$ 80
防护等级 Degree of protection	IP66
防腐等级 Corrosion-proof	WF2
电缆引入口 Cable entris	2 $\times$ M25 $\times$ 1.5堵头(铝合金), 推荐配2 $\times$ M25 $\times$ 1.5格兰(黄铜镀镍) DQM-II/III Ex eb , 适用于 $\Phi$ 12.5~ $\Phi$ 20.5mm电缆 2 $\times$ M25 $\times$ 1.5 plug (Aluminum alloy), 2 $\times$ M25 $\times$ 1.5 gland (Nickel plated brass) DQM-II/III Ex eb is recommended, suitable for $\Phi$ 12.5~ $\Phi$ 20.5mm cable
接线端子 Terminal	1.5~4mm <sup>2</sup>

### 配光曲线 Light distribution curve

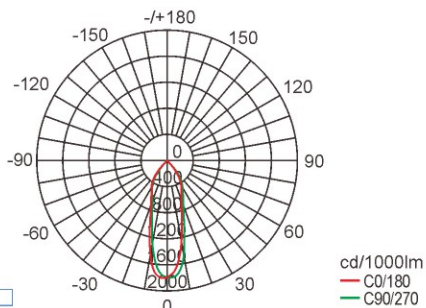
#### ■ HRT91-60□□

灯具功率 Lamp power	光通量 Luminous flux
60W	4380lm



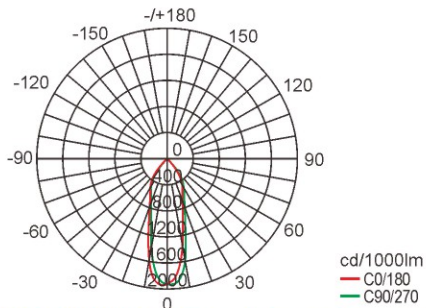
#### ■ HRT91-100□□

灯具功率 Lamp power	光通量 Luminous flux
100W	8185lm



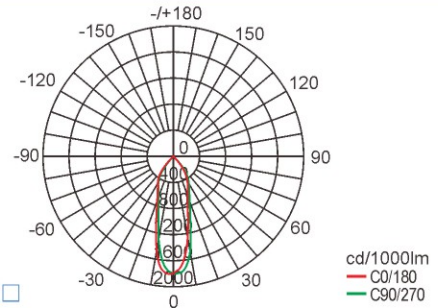
#### ■ HRT91-160□□

灯具功率 Lamp power	光通量 Luminous flux
160W	14990lm



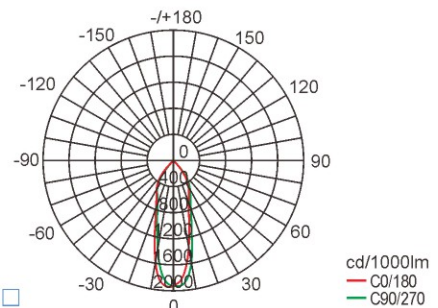
#### ■ HRT92-80□□

灯具功率 Lamp power	光通量 Luminous flux
80W	5820lm



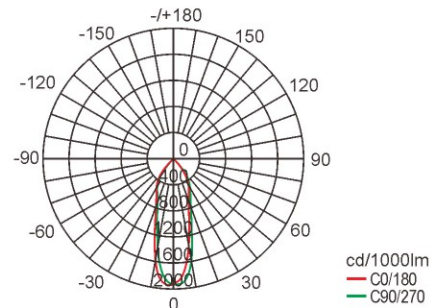
#### ■ HRT91-120□□

灯具功率 Lamp power	光通量 Luminous flux
120W	11240lm

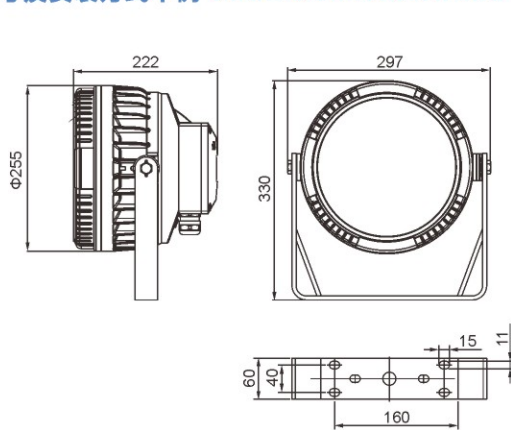


#### ■ HRT91-200□□

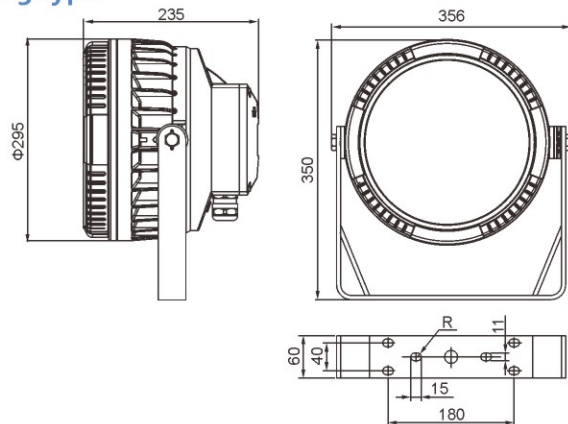
灯具功率 Lamp power	光通量 Luminous flux
200W	21350lm



### 外形尺寸及安装方式举例 Outline dimension and mounting type



60W, 80W, 100W



120W, 160W, 200W

C