

HRT92

防爆高效节能LED泛光灯

HRT92
Explosion-proof High Efficiency Energy-saving
LED Floodlight



应用场所 Application

- 广泛应用于海洋工程各类作业平台、各类化学品、天然气运输船、危险品码头等危险区域作远距离泛光照明之用；
- 可在潮湿、振动、腐蚀等恶劣环境中可靠工作；
- 适用于爆炸性危险环境1区、2区、21区、22区等场所。
- Widely used for floodlight illumination on various marine platforms, chemical tankers, LNG ships and hazardous cargo wharfs, etc..
- Can reliably work in severe environment exposed in moisture, vibration or corrosion;
- Explosive hazardous atmosphere Zone 1, Zone 2, Zone 21, Zone 22.

型号含义 Catalogue number logic



灯体 Housing

- 优质海工铝合金，表面喷塑
- High quality maritime aluminum alloy, powder coated surface

电气 Electric

- 恒流恒压驱动电源，宽电压输入
- Constant current constant voltage drive power, wide voltage input

透明罩 Transparent cover

- 钢化玻璃，抗4J冲击
- Toughened glass, stands 4J impact

选配表 Selection table

型号 Type	额定电压(V) Rated voltage	额定功率(W) Rated power	光通量(lm) Luminous flux	重量(kg) Weight
HRT92-50	100~277V AC 50/60Hz	50W	5400	10.4
HRT92-70		70W	7560	10.4
HRT92-100		100W	10800	10.4
HRT92-120		120W	12960	10.4
HRT92-160		160W	17280	10.4
HRT92-200		200W	21600	10.4
HRT92-240		240W	25600	15.5
HRT92-300		300W	32400	15.5

- 灯具出厂时配防爆堵头，若用户需要防爆电缆夹紧密接头，请注明。
- The light fitting is supplied with Ex type stopping plug and Ex cable gland is on request.

防爆标志选配表 Ex-Mark Selection table

型号 Type	环境温度 Ambient temperature	防爆标志 Ex-Mark
		GB
HRT92-50, HRT92-70, HRT92-100, HRT92-120, HRT92-160	-30°C ≤ Ta ≤ +40°C	Ex db eb mb IIC T6 Gb Ex tb IIIC T80°C Db
HRT92-200	-30°C ≤ Ta ≤ +40°C	Ex db eb mb IIC T5 Gb Ex tb IIIC T95°C Db
HRT92-240	-30°C ≤ Ta ≤ +40°C	Ex db eb mb IIC T6 Gb Ex tb IIIC T80°C Db
HRT92-300	-30°C ≤ Ta ≤ +40°C	Ex db eb mb IIC T5 Gb Ex tb IIIC T95°C Db

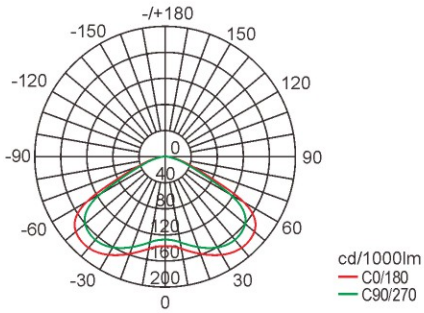
技术参数 Technical parameters

执行标准 Conformity to standards	IEC 60079, EN 60079, GB/T 3836, CCS 入级规范 (CCS standard)
环境温度 Ambient temperature	-30°C ~ +40°C
光源类型 Light source	LED 模组 LED module
色温 Color temperature	5700K ± 250K
显色指数 Color rendering index	Ra ≥ 70
防护等级 Degree of protection	IP66
防腐等级 Corrosion-proof	WF2
电缆引入口 Cable entris	2×M25×1.5堵头(铝合金), 推荐配2×M25×1.5格兰(黄铜镀镍) DQM-II/III Ex eb , 适用于Φ12.5~Φ20.5mm电缆 2×M25×1.5 plug (Aluminum alloy), 2×M25×1.5 gland (Nickel plated brass) DQM-II/III Ex eb is recommended, suitable for Φ12.5~Φ20.5mm cable
接线端子 Terminal	1.5~4mm ²

C

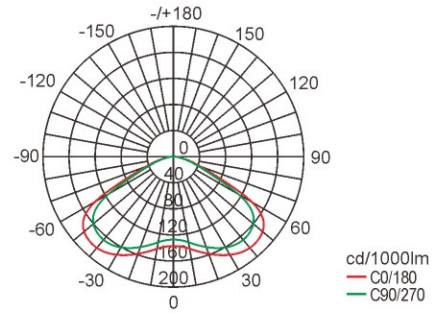
■ HRT92-240

灯具功率 Lamp power	光通量 Luminous flux
240W	25600lm

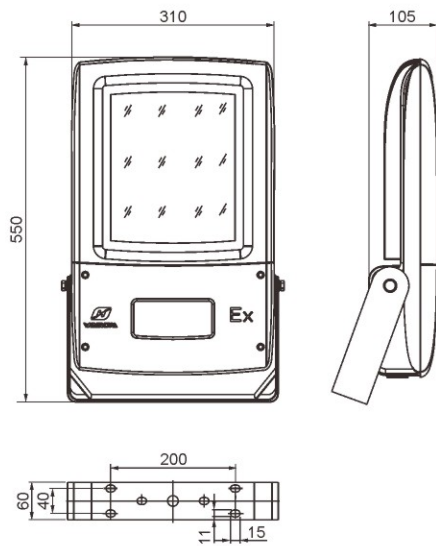


■ HRT92-300

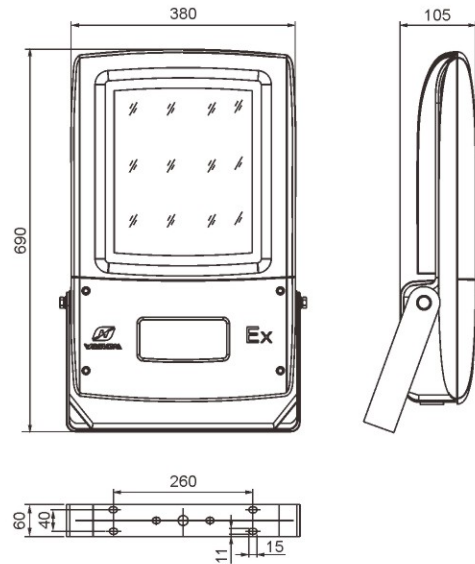
灯具功率 Lamp power	光通量 Luminous flux
300W	32400lm



外形尺寸及安装方式举例 Outline dimension and mounting type



50W, 70W, 100W, 120W, 160W, 200W



240W, 300W

C