

HR Y51-G/C 防爆舱顶灯(模组式)

HR Y51-G/C
Explosion-proof Pendant Light (Module type)



应用场所 Application

- 广泛应用于海洋工程各类作业平台、各类化学品、天然气运输船、危险品码头等危险区域作工作及场景照明之用；
- 可在潮湿、振动、腐蚀等恶劣环境中可靠工作；
- 适用于爆炸性危险环境1区、2区、21区、22区等场所。
- Widely used for the illumination on various marine platforms, chemical tankers, LNG ships and hazardous cargo wharfs, etc..
- Can reliably work in severe environment exposed in moisture, vibration or corrosion;
- Explosive hazardous atmosphere Zone 1, Zone 2, Zone 21, Zone 22.

型号含义 Catalogue number logic



灯体 Housing

- 316L不锈钢板拉伸成型，表面喷塑
- Stretching formed 316L stainless steel, powder coated surface

电气 Electric

- 恒流恒压驱动电源，宽电压输入
- Constant current constant voltage drive power, wide voltage input

透明罩 Transparent cover

- 透明聚碳酸酯，抗4J冲击
- Clear polycarbonate, stands 4J impact

带应急参数(J) Data for light with emergency function

- 应急时间≥90min
- Emergency lighting time ≥90 min

选配表 Selection table

型号 Type	额定电压(V) Rated voltage	额定功率(W) Rated power	光通量(lm) Luminous flux	重量(kg) Weight
HRY51-G/C LED 20	100V~277V AC 50/60Hz 130~250V DC	20W	2500	4.6
HRY51-G/C LED 20J		20W	2480	5.8
HRY51-G/C LED 40		40W	5100	7.1
HRY51-G/C LED 40J		40W	5060	8.4
HRY51-G/C LED 60		60W	7000	7.4
HRY51-G/C LED 60J		60W	7030	8.3
HRY51-G/C LED 80		80W	9900	8.1

- 灯具出厂时配防爆堵头，若用户需要防爆电缆夹紧密接头，请注明。
- The light fitting is supplied with Ex type stopping plug and Ex cable gland is on request.



防爆标志选配表 Ex-Mark Selection table

型号 Type	环境温度 Ambient temperature	防爆标志 Ex-Mark		
		GB	IECEX	ATEX
HR51-G/C LED20 HR51-G/C LED20J	-40°C≤Ta≤+40°C	Ex db eb mb IIC T6 Gb Ex tb IIIC T80°C Db	Ex db eb mb IIC T6 Gb Ex tb IIIC T80°C Db	⊕ II 2G Ex db eb mb IIC T6 Gb ⊕ II 2D Ex tb IIIC T80°C Db
	-40°C≤Ta≤+58°C	Ex db eb mb IIC T5 Gb Ex tb IIIC T95°C Db	Ex db eb mb IIC T5 Gb Ex tb IIIC T95°C Db	⊕ II 2G Ex db eb mb IIC T5 Gb ⊕ II 2D Ex tb IIIC T95°C Db
HR51-G/C LED40 HR51-G/C LED40J	-40°C≤Ta≤+40°C	Ex db eb mb IIC T6 Gb Ex tb IIIC T80°C Db	Ex db eb mb IIC T6 Gb Ex tb IIIC T80°C Db	⊕ II 2G Ex db eb mb IIC T6 Gb ⊕ II 2D Ex tb IIIC T80°C Db
	-40°C≤Ta≤+58°C	Ex db eb mb IIC T5 Gb Ex tb IIIC T95°C Db	Ex db eb mb IIC T5 Gb Ex tb IIIC T95°C Db	⊕ II 2G Ex db eb mb IIC T5 Gb ⊕ II 2D Ex tb IIIC T95°C Db
HR51-G/C LED60 HR51-G/C LED60J	-40°C≤Ta≤+40°C	Ex db eb mb IIC T6 Gb Ex tb IIIC T80°C Db	Ex db eb mb IIC T6 Gb Ex tb IIIC T80°C Db	⊕ II 2G Ex db eb mb IIC T6 Gb ⊕ II 2D Ex tb IIIC T80°C Db
	-40°C≤Ta≤+58°C	Ex db eb mb IIC T5 Gb Ex tb IIIC T95°C Db	Ex db eb mb IIC T5 Gb Ex tb IIIC T95°C Db	⊕ II 2G Ex db eb mb IIC T5 Gb ⊕ II 2D Ex tb IIIC T95°C Db
HR51-G/C LED80	-40°C≤Ta≤+40°C	Ex db eb mb IIC T5 Gb Ex tb IIIC T95°C Db	Ex db eb mb IIC T5 Gb Ex tb IIIC T95°C Db	⊕ II 2G Ex db eb mb IIC T5 Gb ⊕ II 2D Ex tb IIIC T95°C Db
	-40°C≤Ta≤+58°C	Ex db eb mb IIC T4 Gb Ex tb IIIC T130°C Db	Ex db eb mb IIC T4 Gb Ex tb IIIC T130°C Db	⊕ II 2G Ex db eb mb IIC T4 Gb ⊕ II 2D Ex tb IIIC T130°C Db

HRYS1-G/C 防爆舱顶灯(模组式)

HRYS1-G/C Explosion-proof Pendant Light (Module type)

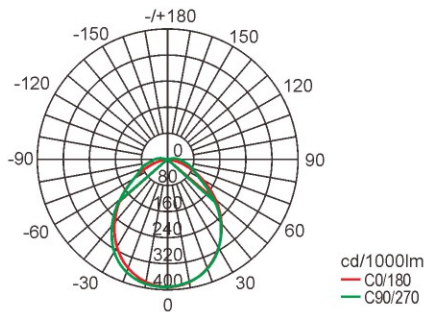
技术参数 Technical parameters

执行标准 Conformity to standards	IEC 60079, EN 60079, GB/T 3836, CCS 入级规范 (CCS standard)
环境温度 Ambient temperature	-40°C~+58°C
光源类型 Light source	防爆LED模组 Explosion-proof LED module
色温 Color temperature	5000K±250K (3000K、4000K可选 Optional)
显色指数 Color rendering index	Ra≥80
防护等级 Degree of protection	IP66
防腐等级 Corrosion-proof	WF2
电缆引入口 Cable entris	4×Φ25.5孔，配4×M25×1.5堵头(黄铜镀镍)，推荐配2×M25×1.5格兰(黄铜镀镍) DQM-II/III Ex eb，适用于Φ12.5~Φ20.5mm电缆 4×Φ25.5 hole, with 4×M25×1.5 plug (Nickel plated brass), 2×M25×1.5 gland (Nickel plated brass) DQM-II/III Ex eb is recommended, suitable for Φ12.5~Φ20.5mm cable
接线端子 Terminal	1.5~4mm ²

配光曲线 Light distribution curve

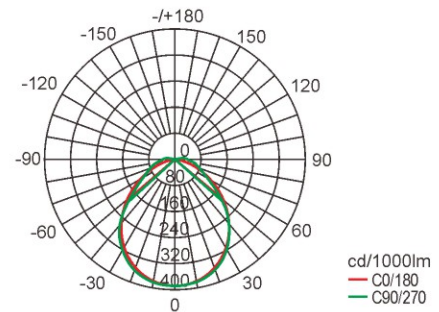
■ HRY51-G/C LED 20□□

灯具功率 Lamp power	光通量 Luminous flux
20W	2500lm



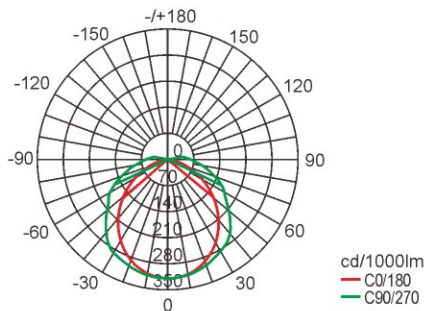
■ HRY51-G/C LED 40□□

灯具功率 Lamp power	光通量 Luminous flux
40W	5100lm



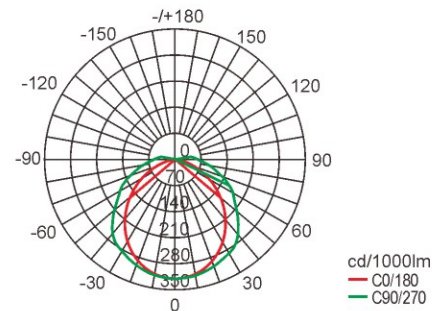
■ HRY51-G/C LED 60□□

灯具功率 Lamp power	光通量 Luminous flux
60W	7000lm

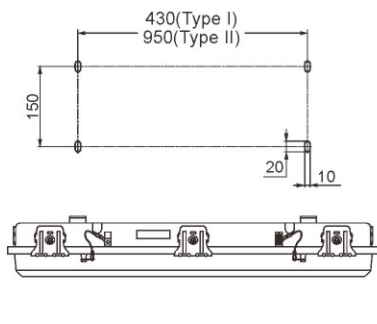
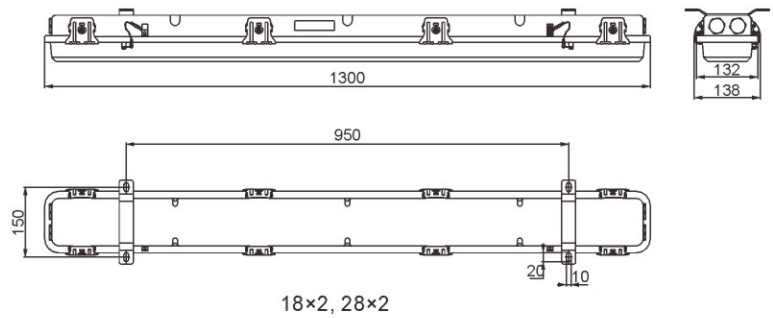
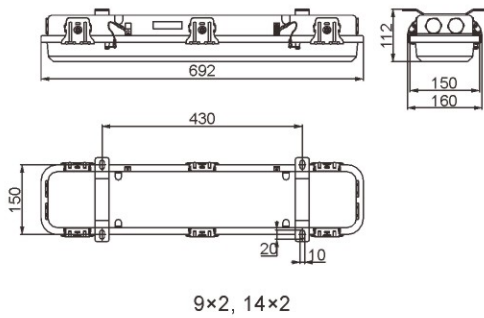


■ HRY51-G/C LED 80□

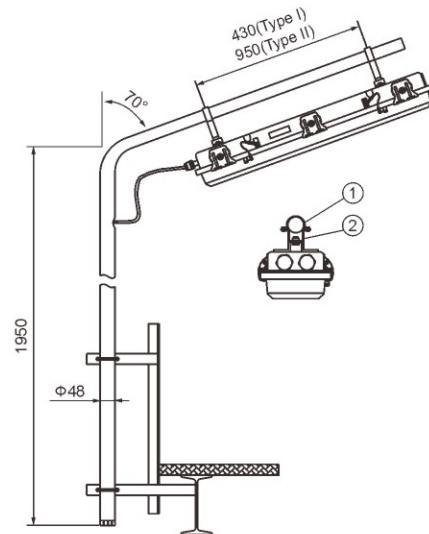
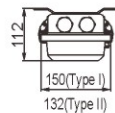
灯具功率 Lamp power	光通量 Luminous flux
80W	9900lm



外形尺寸及安装方式举例 Outline dimension and mounting type



x : 吸顶式 x: Ceiling type



h : 护栏式 h: Fence type

安装配件及备件表 Mounting Accessories & Spare Parts Table

安装方式 Mounting type	配件 Accessories			订货代码 Ordering code	重量 (kg) Weight
	名称 Name	数量 Qty	外形图 Illustration		
护栏式 Fence type	①. G1 1/2" 管夹 G1 1/2" Pipe clamp	2	Stainless steel	5136014	0.04
	②. 安装支架 Mounting bracket	2	Stainless steel	5136012	0.04