

Waterproof



Dustproof



Corrosionproof

型号规格含义 Nomenclature

F HJ - □(□) / □(□)

螺纹规格(内或外) Thread specification (Female or Male)

螺纹规格(内或外) Thread specification (Female or Male)

活接头 Connector

防腐 Weatherproof



产品特点 Product Features

- ◆ 采用优质碳素钢制成，材质可根据要求采用不锈钢等；
- ◆ 螺纹规格可根据要求特制，如NPT、公制螺纹等。
- ◆ High quality carbon steel applied, products of stainless steel can be supplied upon request.
- ◆ The thread can be specially made upon request, such as NPT thread and metric thread etc.

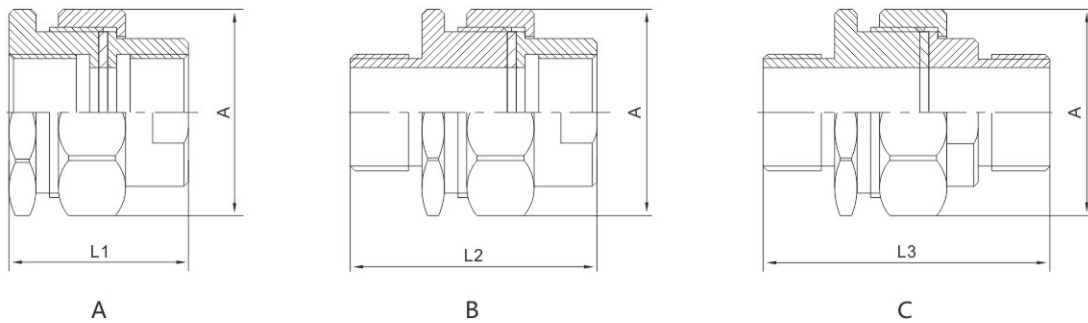
订货须知 Ordering Information

- ◆ 按照产品型号规格逐条选择，
例如：需要碳素钢一内一外G3/4"螺纹防腐活接头，
则产品选型为FHJ-G3/4"(内)/G3/4"(外)；
- ◆ 常规供货为优质碳素钢材质，要求不锈钢或其他材质时请注明。
- ◆ Follow the product nomenclature for selection.
For example: if weatherproof flexible connector is needed, carbon steel, one female & one male G3/4" thread, the type shall be FHJ-G3/4" (female) / G3/4" (male).
- ◆ Product is made of high quality carbon steel, stainless steel or other material can be supplied upon request.

产品描述 Product Description

防护等级 Degree of protection	IP65, IP66(可选 Optional)
防腐等级 Corrosion-proof	WF1, WF2(可选 Optional)

外形及安装尺寸举例 Example of Outline Dimension and Mounting Type



型号规格 Type	A	L1	L2	L3	电缆外径(Φ,mm) Cable outer diameter
FHJ-G1/2"	38	40	55	64	6.5~11
FHJ-G3/4"	40	36	50	59	10~16
FHJ-G1"	44	42	56	64	12~19
FHJ-G1 1/4"	65	46	64	74	15~25
FHJ-G1 1/2"	75	46	64	74	18~33
FHJ-G2"	85	52	73	84	26~43

