

HR-BZ-BDZ(E □ I)-BAYD62 防爆标志灯

HR-BZ-BDZ(E □ I)-BAYD62
Explosion-proof Sign Light



应用场所 Application

- 广泛应用于海洋工程各类作业平台、各类化学品、天然气运输船、危险品码头等危险区域作安全出口指示、疏散标示之用；
- 可在潮湿、振动、腐蚀等恶劣环境中可靠工作；
- 适用于爆炸性危险环境1区、2区、21区、22区等场所。
- Widely used for safety exit indication and evacuation marking on various offshore platforms, chemical tankers, LNG ships and hazardous cargo wharfs, etc..
- Can reliably work in severe environment exposed in moisture, vibration or corrosion;
- Explosive hazardous atmosphere Zone 1, Zone 2, Zone 21, Zone 22.

型号含义 Catalogue number logic



灯体 Housing

- 优质海工铝合金，表面喷塑
- High quality maritime aluminum alloy, powder coated surface

透明罩 Transparent cover

- 钢化玻璃
- Toughened glass

技术参数 Technical parameters

执行标准 Conformity to standards	IEC 60079, EN 60079, GB/T 3836, GB 17945, CCS 入级规范 (CCS standard)
防爆标志 Ex-Mark	Ex eb ib q IIC T6 Gb/Ex ib tb IIIC T80°C Db
额定电压 Rated voltage	220V/230V AC 50/60Hz ; 110V AC , 36/24V AC/DC(可选 Optional)
环境温度 Ambient temperature	-50°C~+55°C
光源类型 Light source	LED 模组 LED module
额定功率 Rated power	4W
应急时间 Emergency time	≥120min (特殊要求请注明 For any special request, please specify)
充电时间 Charging time	24h
防护等级 Degree of protection	IP66
防腐等级 Corrosion-proof	WF2
电缆引入口 Cable entris	2×M25×1.5堵头(铝合金), 推荐配2×M25×1.5格兰(黄铜镀镍) DQM-II/III Ex db , 适用于Φ12.5~Φ20.5mm电缆 2×M25×1.5 plug (Aluminum alloy), 2×M25×1.5 gland (Nickel plated brass) DQM-II/III Ex db is recommended, suitable for Φ12.5~Φ20.5mm cable
接线端子 Terminal	1.5~2.5mm ²
重量 Weight	3.8kg

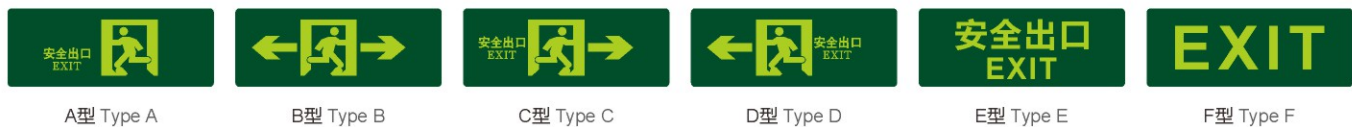
电气 Electric

- 内置应急控制器及电池组
- In-built emergency controller and battery pack

安装方式 Mounting type

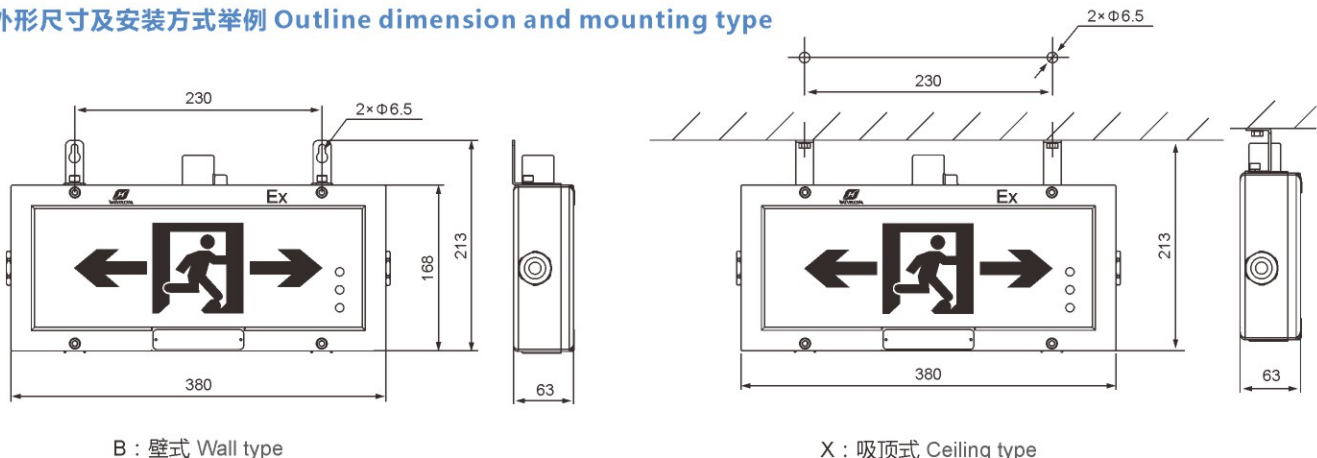
- B : 壁式 Wall type
- X : 吸顶式 Ceiling type

指示牌代号 A~F型 Sign code: A~F



- 请根据安装方式和指示牌代号进行选型，例如需要壁式安装，A型指示牌单面，则型号为：HR-BZ-BDZ(E □I)-BAYD62-BA
- Select the model according to the mounting method and signage code. For example, for wall mounting with single-sided Type A signage, the model is HR-BZ-BDZ(E □I)-BAYD62-BA.

外形尺寸及安装方式举例 Outline dimension and mounting type



B : 壁式 Wall type

X : 吸顶式 Ceiling type