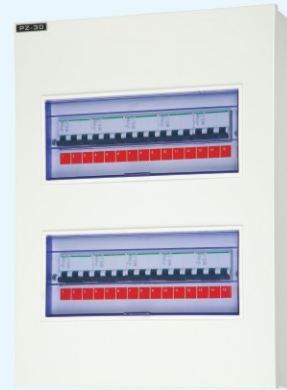




暗装
Concealed mounted



明装
Surface mounted



Waterproof



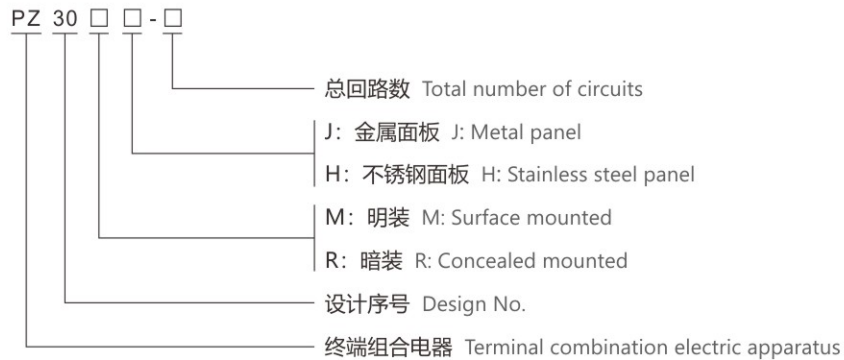
Dustproof



Corrosionproof

GB

型号规格含义 Nomenclature



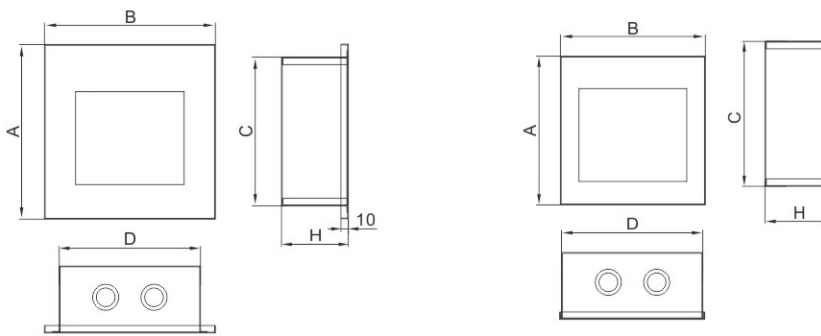
订货须知 Ordering Information

- ◆ 请根据“型号规格含义”注明配电箱的安装方式、面板材质及回路数；
- ◆ 若须配装断路器，请注明各回路极数及电流或提供系统图；
- ◆ 本系列产品常规配置为施耐德小型断路器，如须其它品牌请注明。
- ◆ Please indicate the mounting type, panel material and the number of circuits based on the nomenclature.
- ◆ If circuit breaker is needed, please indicate the pole number and current of each circuit or provide schematic diagrams.
- ◆ Schneider MCB (miniature circuit breaker) is supplied. If other brands are needed, please specify.

技术参数 Technical Parameters

执行标准 Executive standards	中国GB标准 Chinese GB standards
额定电压 Rated voltage	220V/380V
额定电流 Rated current	≤100A
防护等级 Degree of protection	IP41
内装元件 Built-in components	施耐德、ABB等品牌 Schneider and ABB brands, etc.
回路数 Number of circuits	4~60

外形及安装举例 Outline and Mounting Type



暗装 Concealed mounted

明装 Surface mounted

总回路数 Total number of circuits	暗装 Concealed mounted					明装 Surface mounted					备注 Remarks
	A	B	C	D	H	A	B	C	D	H	
4	175	160	145	130	90	175	160	170	155	90	单排 Single row
6	235	230	200	190	90	200	195	195	190	90	
8	295	255	260	215	90	250	218	247	215	90	
10	366	349	336	322	90	335	315	330	310	90	
12	366	385	336	358	90	335	351	330	346	90	
15	366	439	336	412	90	335	405	330	400	90	
18	366	493	336	466	90	335	459	330	454	90	
20	366	529	336	502	90	335	495	330	490	90	
24	566	385	536	358	90	535	351	530	346	90	双排 Double row
30	566	439	536	412	90	535	405	530	400	90	
36	566	493	536	466	90	535	459	530	454	90	
40	566	529	536	502	90	535	495	530	490	90	三排 Triplex row
45	766	439	736	412	90	735	405	730	400	90	
54	766	493	736	466	90	735	459	730	454	90	
60	766	529	736	502	90	735	495	730	490	90	